

supports

UNDERSTANDING SUPPORTS	34
SUPPORT BASICS	35
SUPPORTS & WORKSURFACES COMPATIBILITY CHART	37
PLANNING WITH SUPPORTS	38
PLANNING WITH SHARED SUPPORTS	39

understanding supports

Expansion Learning Tables offers various supports for mounting worksurfaces.

❗ To determine size and compatibility between supports and worksurfaces, refer to the Compatibility Chart on page 37

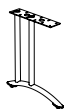
Supports

• Can be used in standard or shared position with worksurfaces

• Five leg styles are available:



Standard Leg
(XSLD)



Arched Leg
(XSLA)



Slender Leg
(XSLS)



Post Leg
(XSPS)



Thesis Legs
(XSPA)

• Standard, Arched and Slender Legs can be specified in C- (Shown) or T-Leg Configuration

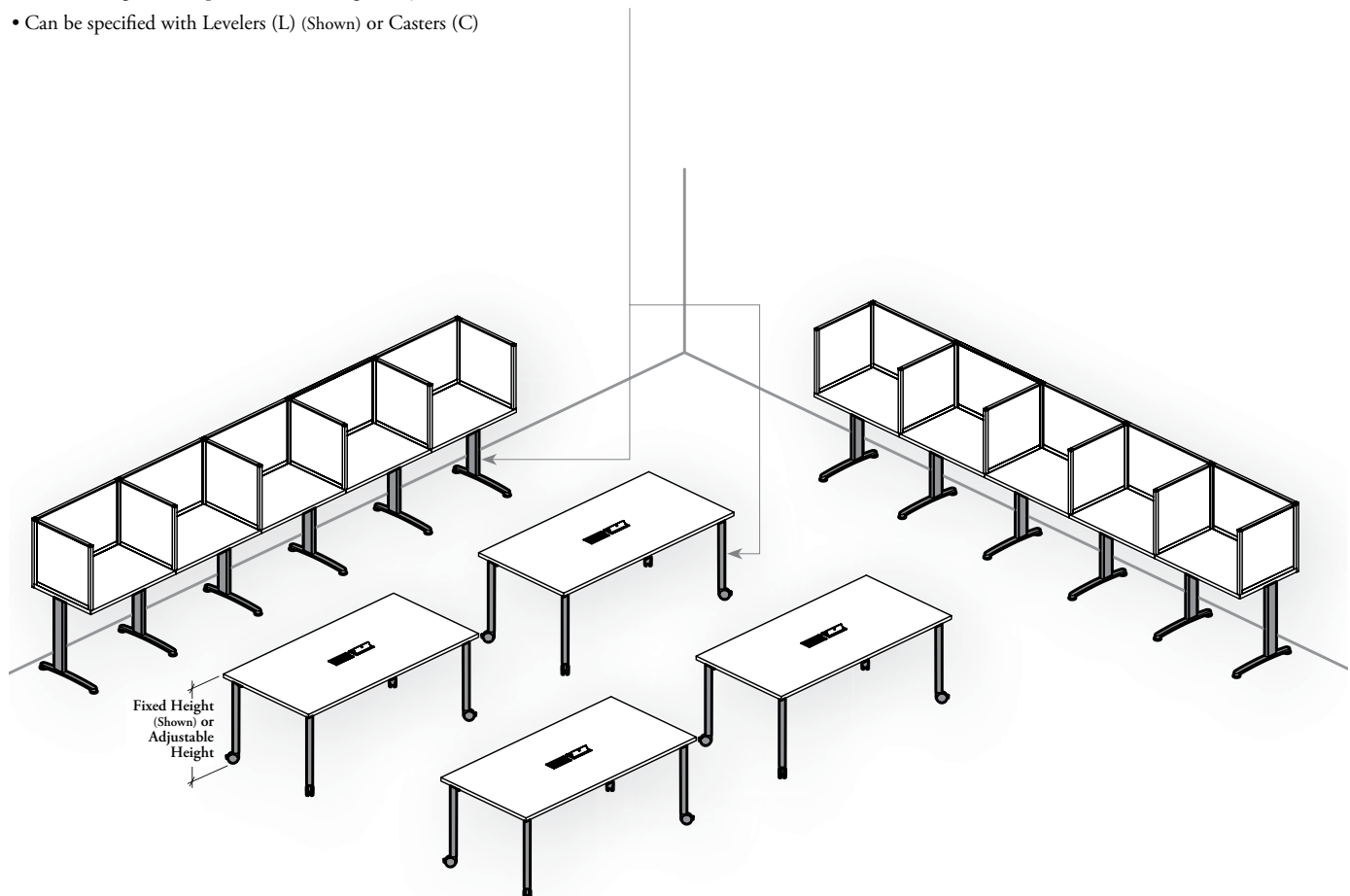
• Arched, Slender and Post Legs can be specified Fixed (Shown) or Adjustable Height

• Standard Legs can be specified Fixed Height only

• Can be specified with Levelers (L) (Shown) or Casters (C)

• Can be specified with Levelers – Glides (F, P or S) (Shown) or Casters (C)

• Can be specified Fixed Height only



For finishes; see page 178

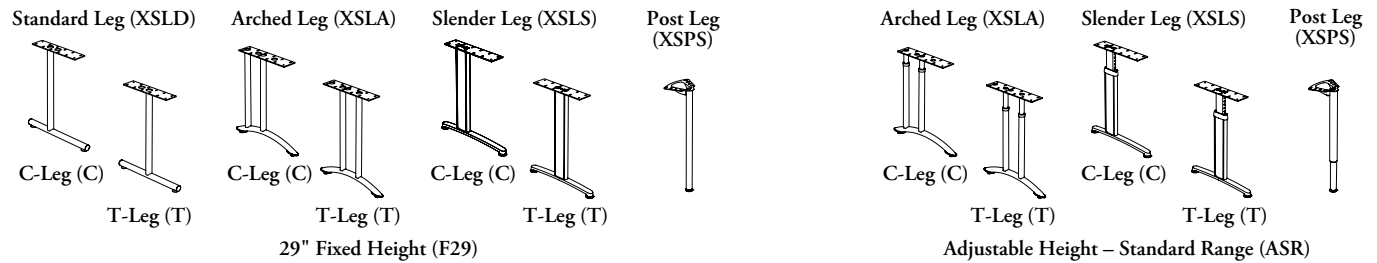
support basics

These supports allow mobile or stationary tables with accessory options.

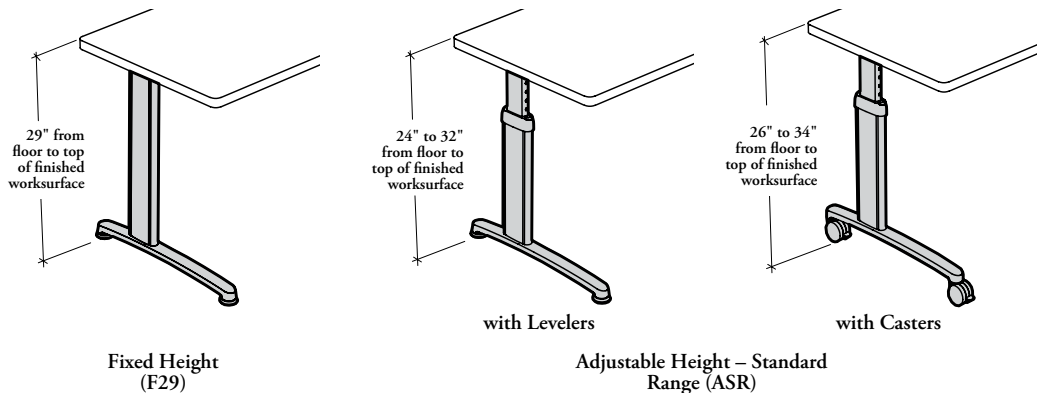
- ❗ Can be specified on Worksurfaces only and must be specified separately
- All dimensions are actual

C-, T- & post legs components

The C- or T-leg styles and Post Leg:

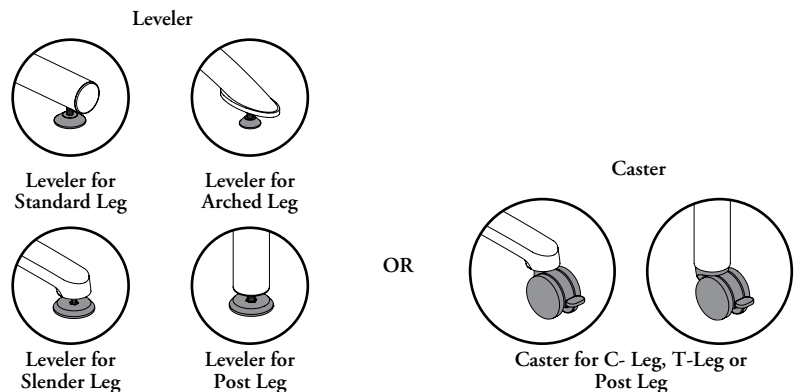


- All legs, except Standard Legs (XSLD), are available in an Adjustable Height version (1" increments) that includes a securing device
- Wire Management Cover(s) (XPWLA or XPWLS) can be specified separately and installed along an Arched or a Slender Leg to route cables under worksurface



levelers & casters details

- Can be ordered with Levelers (L) or Casters (C)
- Applicable with following worksurfaces (if applicable):
 - Rectangular Worksurface (XWR)
 - Rectangular Team Worksurface (XWD)
 - Trapeze Worksurface (XWT)
 - Connecting Trapeze Worksurface (XWCT)
 - Quarter-Moon Worksurface (XTMQ)



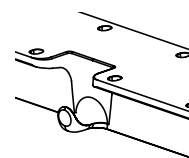
- Levelers have leveling range of 1" for Standard (XSLD), Slender (XSLS) and Post Legs (XSPS)
- Levelers have leveling range of 1/2" for Arched Legs (XSLA) only
- When casters are specified, all casters will be lockable
- Caster has a 60 mm diameter
- Caster (XCALC) is **not** compatible with these supports

support basics (continued)

- Can be specified on Worksurfaces only and must be specified separately
- **Cannot** be interchanged with legs on the High Tables or the Flip-Top Tables
- All dimensions are actual

thesis leg components

- Two heights are available:
 - 29" height (Standard)
 - 33" height (ADA)
- A Wire Management Cover – Thesis Leg (XPWPA) can be specified separately and installed along Thesis Leg to route cables under worksurface
- **Not** available in an Adjustable Height version



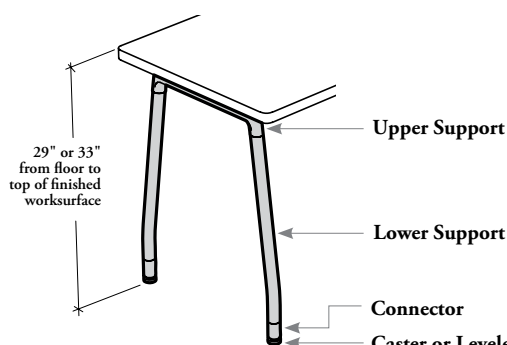
Integrated Backpack Hook

Upper section of Thesis Leg comes with a hook on one side. Can be installed facing inside or outside the table



ADA Thesis Legs

- When 33" height option is specified, the leg comes with two 4" ADA Height Extension
- 29" height leg can be modified at 33" by using the ADA Extension Kit (XCALE) offer separately)



Upper Support

Lower Support

Connector

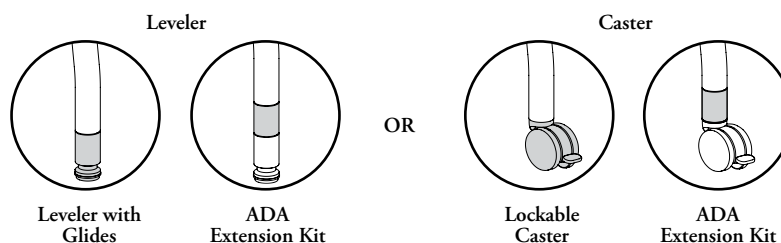
Caster or Leveler (Shown)

- Casters and Levelers can be specified on all leg height
- Caster has a 60 mm diameter
- Leveler has a leveling range of 1 1/2"
- Casters (XCALC) or Levelers (XCALK) can also be specified separately

levelers & casters details

- Can be ordered with Levelers (L) or Casters (C)
 - When casters are specified, all casters will be lockable
 - Three glide options are available:
 - Levelers – Felt Glides (F)
 - Levelers – PTFE Glides (P)
 - Levelers – Steel Glides (S)
- see details, refer on page 98

- The levelers or lockable casters can be interchanged, when applicable:



Not applicable with all worksurface styles, refer to the following page

- ADA Extension Kit with Caster **cannot** be installed on 20" deep Thesis Leg
- ADA Extension Kit **cannot** be installed on Thesis Leg with casters when installed on Instructor Worksurface (XTPW)

supports & worksurfaces compatibility chart

worksurfaces

(XWR)		(XWD)		(XWT)		(XWCT)		(XWMQ)		(XTPW)		
20" d	24" d	30" d	30" d	36" d	24" d	30" d	24" d	30" d	24" d	30" d	24" d	30" d

standard leg (XSLD)

Configuration	Type	Option	Depth	20" d	24" d	30" d	30" d	36" d	24" d	30" d	24" d	30" d	24" d	30" d		
	C-Leg (C)	Fixed Height (F29)	Casters (C)	24"												
			Levelers (L)	24"												
	T-Leg (T)	Fixed Height (F29)	Casters (C)	20"												
			Levelers (L)	24"												
			Casters (C)	20"												
			Levelers (L)	24"												

Shared Application only

arched leg (XSLA)

	C-Leg (C)	Fixed Height (F29)	Casters (C)	24"		42" to 84" w	48" to 84" w								
			Levelers (L)	24"											
		Adj. Height (ASR)	Casters (C)	24"		42" to 84" w	48" to 84" w								
			Levelers (L)	24"											
	T-Leg (T)	Fixed Height (F29)	Casters (C)	24"		42" to 84" w	42" to 84" w								
			Levelers (L)	18"											
		Levelers (L)	24"												
		Adj. Height (ASR)	Casters (C)	24"		42" to 84" w	42" to 84" w								
			Levelers (L)	18"											
		Levelers (L)	24"												

slender leg (XSLS)

	C-Leg (C)	Fixed Height (F29)	Casters (C)	24"			42" to 84" w									
			Levelers (L)	24"												
		Adj. Height (ASR)	Casters (C)	24"												
			Levelers (L)	24"												
	T-Leg (T)	Fixed Height (F29)	Casters (C)	18"												
			Levelers (L)	24"												
		Levelers (L)	18"													
		Levelers (L)	24"													
		Adj. Height (ASR)	Casters (C)	24"												
			Levelers (L)	18"												
Levelers (L)	24"															

thesis leg (XSPA)

	Standard Height (29)	Casters (C)	20"													
			24"													
		Levelers (L)	20"													
			24"													
	ADA Height (33)	Casters (C)	24"													
			30"													
		Levelers (L)	20"													
			24"													
Levelers (L)	30"															

post leg (XSPS)

	Fixed Height (F29)	Caster (C)	-												
		Leveler (L)	-												
	Adj. Height (ASR)	Caster (C)	-												
		Leveler (L)	-												

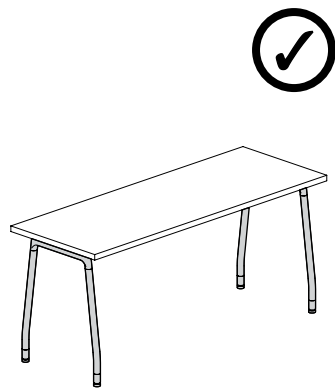
Not Compatible Compatible

planning with supports

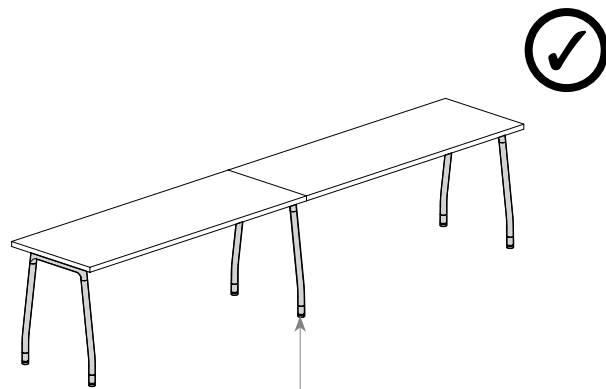
The following should be taken into consideration when planning with supports.

- ◆ To determine size between supports and worksurfaces, refer to the Compatibility Chart on page 37
- Applicable with all leg styles, when applicable:

supports applications



Standard Position
(on both ends)

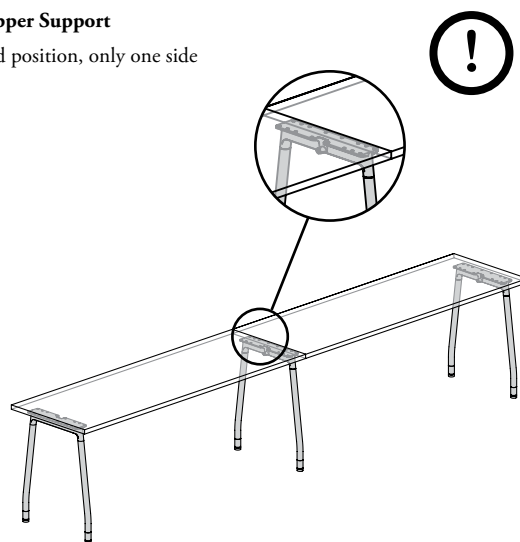


Shared Position

- For permanent configurations the worksurfaces must be linked together. Use a leg in shared position between two worksurfaces, when applicable
- Not all worksurfaces can be connected together, for examples, refer to Linked Typical Applications on page 27

Integrated Backpack Hook on Upper Support

When a Thesis Leg is used in shared position, only one side will feature a Backpack Hook

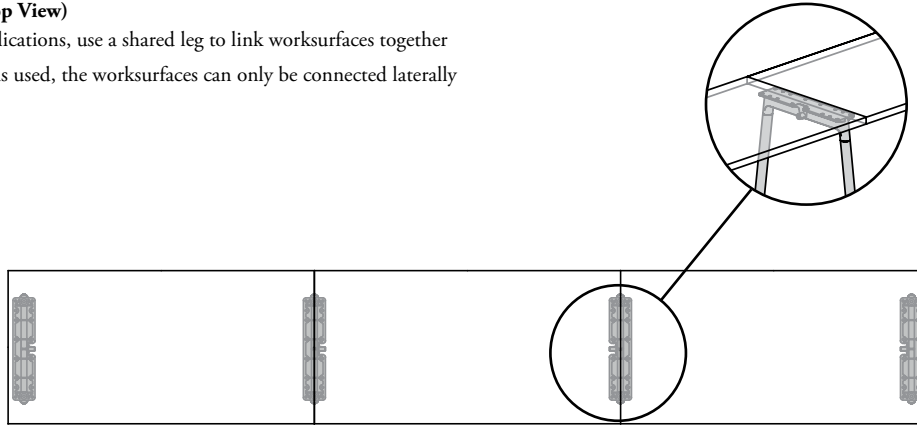


planning with shared supports

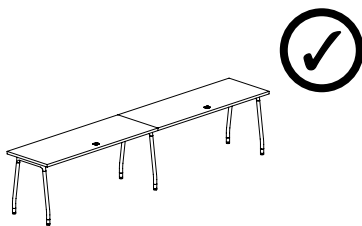
The following diagrams highlight shared support options for the tables.

Shared Position (Top View)

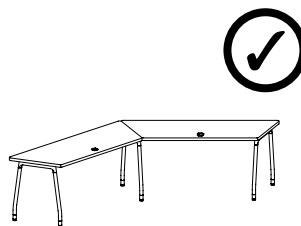
- For permanent applications, use a shared leg to link worksurfaces together
- When a shared leg is used, the worksurfaces can only be connected laterally



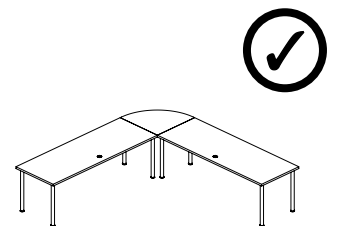
- The Rectangular (XWR), Rectangular Team (XWD) or Trapeze (XWT) Worksurfaces can be connected permanently together with a shared leg, when they are the same depth
- The Connecting Trapeze (XWCT) or Quarter-Moon (XWMQ) Worksurfaces must always be connected permanently together with a shared leg



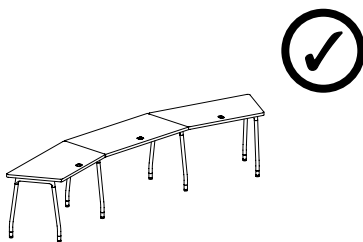
All Rectangular Worksurfaces



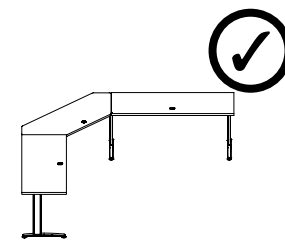
All Trapeze Worksurfaces



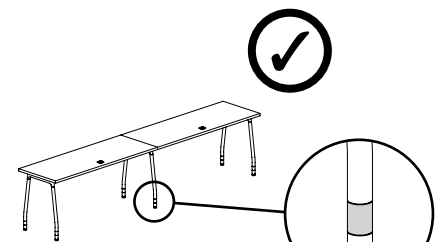
Rectangular and Quarter-Moon Worksurfaces



Trapeze and Rectangular Worksurfaces



Rectangular and Connecting Trapeze Worksurfaces



Worksurfaces can be linked with an ADA Thesis Leg (Shown) or with an Adjustable Height Leg