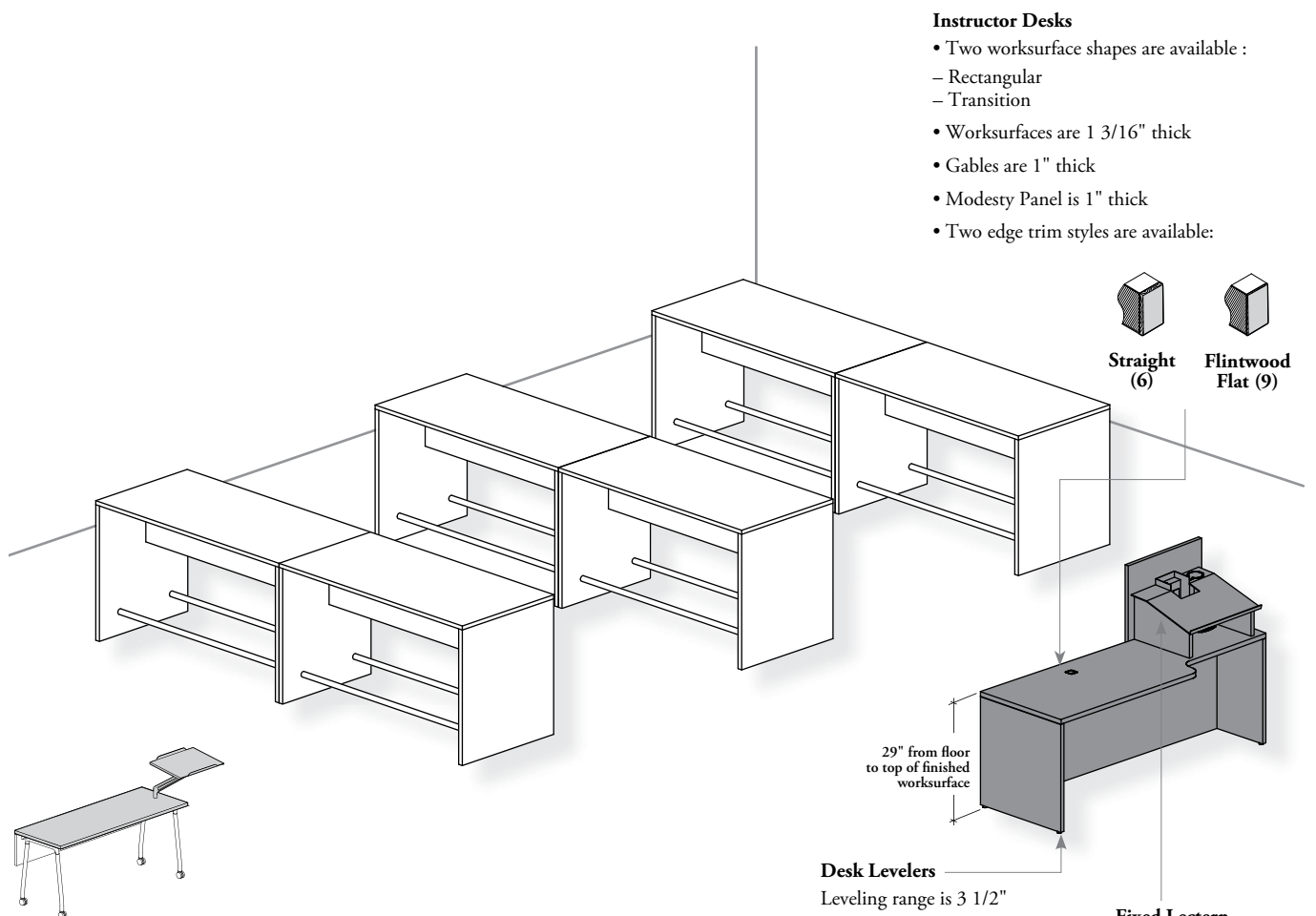


# instructor

UNDERSTANDING INSTRUCTOR WORKSURFACE & DESKS . . . . .	70
INSTRUCTOR WORKSURFACE BASICS . . . . .	71
INSTRUCTOR DESK BASICS . . . . .	73
LECTERN PODIUM BASICS . . . . .	75
PLANNING WITH WORKSURFACE CUT-OUTS FOR INSTRUCTOR DESKS . . . . .	77
INSTRUCTOR WORKSURFACES & DESKS GRAIN/PATTERN DIRECTION . . . . .	79

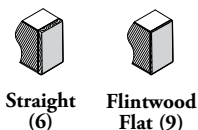
# understanding instructor worksurface & desks

Expansion Learning Instructor Worksurface or Desks are designed to create multiple learning environment and teaching methods.



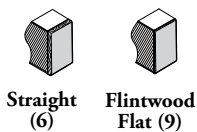
### Instructor Desks

- Two worksurface shapes are available :
  - Rectangular
  - Transition
- Worksurfaces are 1 3/16" thick
- Gables are 1" thick
- Modesty Panel is 1" thick
- Two edge trim styles are available:



### Instructor Worksurface

- Only Rectangular worksurface shape is available
- 1" (D) or 1 3/16" (M) thick
- Two edge trim styles are available:



- Can be specified with None (N), Left (L) or Right (R) Pivoting Lectern (Shown)

### Supports

- Only Thesis Legs (A) can be specified
- 29" or 33" from floor to top of finished worksurface
- Can be specified with Levelers – Glides (F, P or S) or Casters (C) (Shown)
- Leveling range is 1 1/2"

### Modesty Panels

- Two Modesty Panels styles are available separately:
  - Modesty Panel – Solid (XCMS) (Shown)
  - Modesty Panel – Metal (XCMM)
- With ou without Built-In Cable Tray
- Solid modesty panels have 11/16" thick

29" from floor to top of finished worksurface

**Desk Levelers**  
Leveling range is 3 1/2"

### Fixed Lectern

- Case and Front Panel are 1" thick
- Shelf is in metal

### Pivoting Lectern

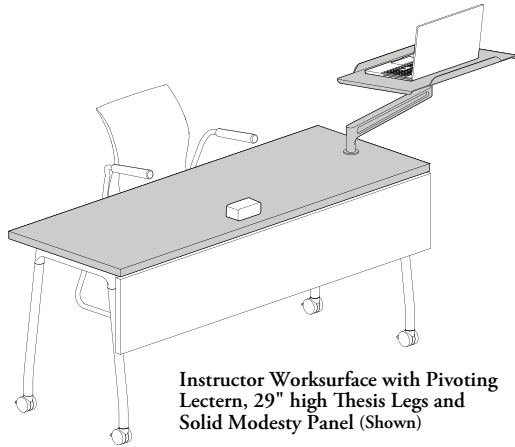
Only Instructor Desk (XTPD) can be specified None (N) or with Left (L) or Right (R) Pivoting Lectern

For finishes; see page 178

# instructor worksurface basics

The instructor worksurface is the central piece of a learning room to create different dynamic including discussion, groupwork and technology interaction.

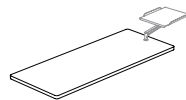
- ❗ Supports, modesty panels and linking options are **not** included with worksurface and can be specified separately
- All dimensions are actual



## worksurface shape

❗ The following worksurface must be used alone:

### Rectangular Shape

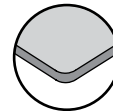


Rectangular Instructor Worksurface (XTPW)

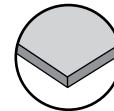
## corner details

Two corner details are available:

- Radius (R) (Straight Trim only)
- Standard (S)

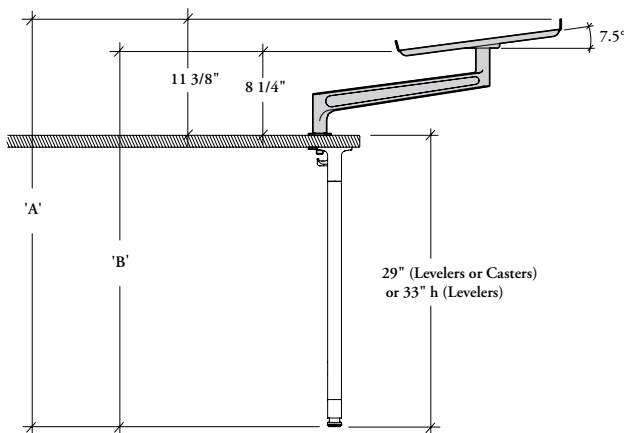


Radius (R)

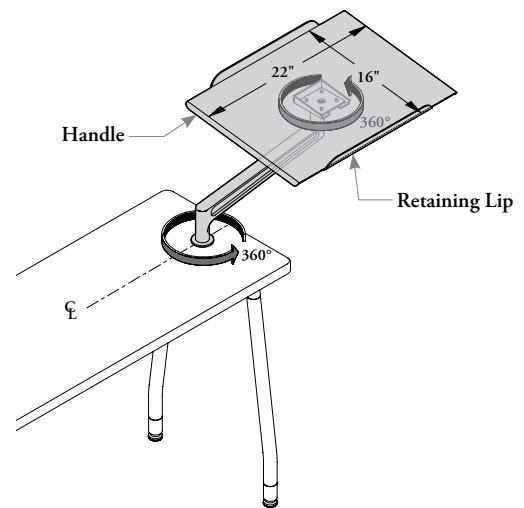


Standard (S)

## pivoting lectern details



Thickness	D (1")		M (1 3/16")	
Height	29"	33"	29"	33"
'A'	40 1/4"	44 1/4"	40 3/8"	44 3/8"
'B'	37 1/8"	41 1/8"	37 1/4"	41 1/4"



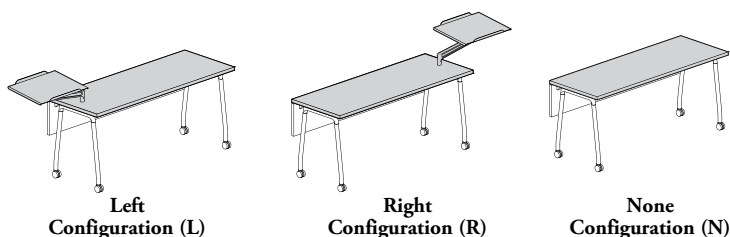
For worksurface thicknesses; see page 70

For edge trim applications; see page 176

## instructor worksurface basics (continued)

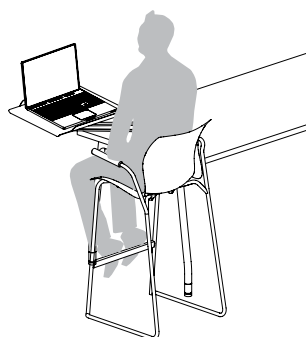
### pivoting lectern

- The Pivoting Lectern can only be specified as an option with worksurface. The surface will come with pre-drilled holes to ease the installation
- Three configurations are available:
  - Left (L)
  - Right (R)
  - None (N)
- Can support up to 25 lbs maximum

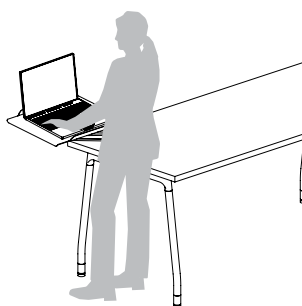


### working positions

The Pivoting Lectern allows three working positions shown below:



Stool Seated  
(Bar Height)



Standing

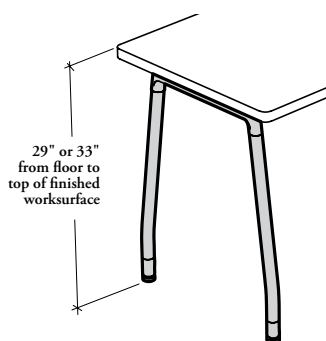


Perched

### support options

⚠ Worksurfaces must only be used with Thesis Legs

- Two heights are available:
  - 29" height (Standard)
  - 33" height (ADA)
- Casters Kit (XCALC), Levelers Kit (XCALK) or ADA Height Extension – Thesis Leg (XCALE) option can be specified with this product
- A Wire Management Cover – Thesis Leg (XPWPA) can be specified separately and installed along leg of the Thesis Leg to route cables under worksurface
- Cannot be used with 33" Thesis Legs with Casters

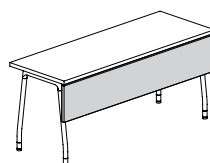


### modesty panels

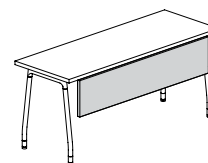
⚠

- Must be specified separately
- Can be specified Casual or Flush mounted
- For specified width modesty panel, refer to Modesty Panel Compatibility Chart on page 85

- Two modesty panels are available:
  - Solid or Metal Modesty Panels (XCMS, XCMM)
- When a Modesty Panel is used with Casual Linking Devices (XCLDC), only Casual Modesty Panel can be used to allow access and movement of the Casual Linking Devices
- Only the Flush Modesty Panels with Built-In Cable Tray (XCMSF, XCMMF) can be specified for the installation of the Power Box (XPEPB)



Flush (F)  
Modesty Panel  
Configuration



Casual (C)  
Modesty Panel  
Configuration

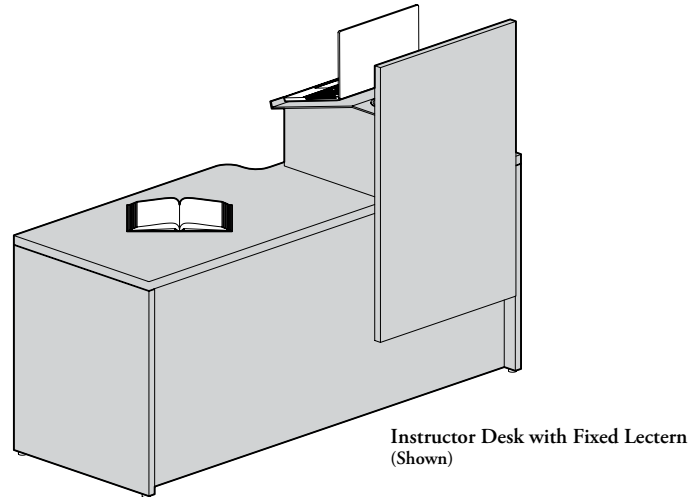
For Thesis Legs details; see page 36

For Modesty Panel details; see page 83

# instructor desk basics

The instructor desks are the central piece of a learning room to create different dynamic including discussion, groupwork and technology interaction.

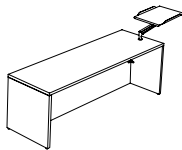
⚠ All dimensions are actual



- ⚠ Desks are shipped knock down
- The following desks can only be used alone:

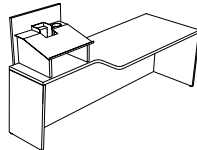
The desks come with a worksurface, two full gables and a full-height modesty panel

**Rectangular Desk Shape**



**Instructor Desk (XTPD)**

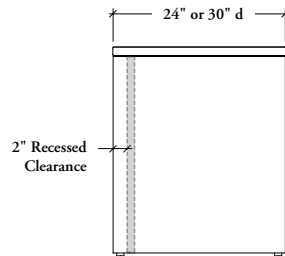
**Transition Desk Shape**



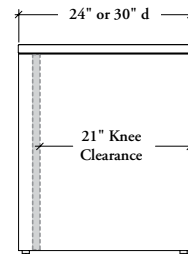
**Instructor Desk with Fixed Lectern (XTIPT)**

## recessed modesty panels

- Only available in full-height
- No grommet on modesty panels



**Recessed Clearance**

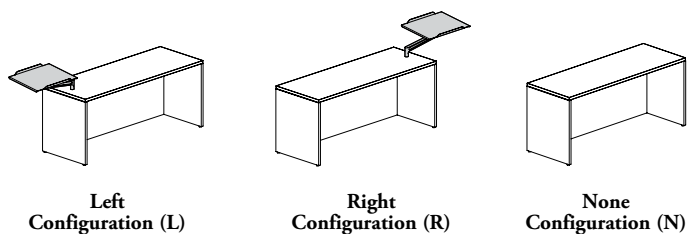


**Knee Clearance**

## instructor desk basics (continued)

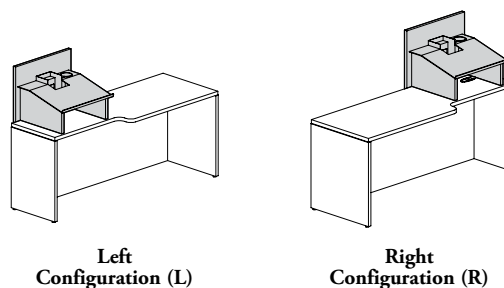
### pivoting lectern

- The Pivoting Lectern can only be specified as an option with Instructor Desk (XTPD). The surface will come with pre-drilled holes for easy installation
- Three configurations are available:
  - Left (L)
  - Right (R)
  - None (N)
- Can support up to 25 lbs maximum
- **Cannot** replace a Fixed Lectern on a Instructor Desk (XTPT)

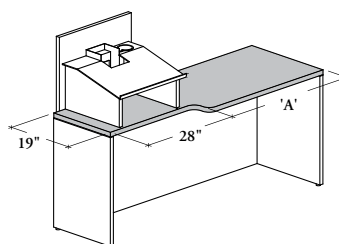


### fixed lectern

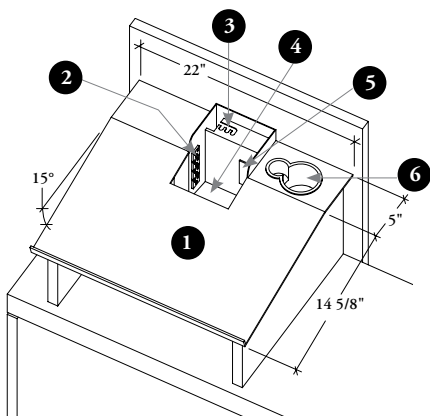
- Only included with Instructor Desk (XTPT) and gives a freestanding worksurface to the instructor presentation
- Two configurations are available:
  - Left (L)
  - Right (R)
- The worksurface comes with an Elliptical Grommet under the fixed lectern
- The 8" opening between worksurface top and metal shelf can accommodate laptop, tablet, paper, etc.



- When a Fixed Lectern is mounted on Instructor Desk (XTPT), the Fixed Lectern is 28" wide



Width	Work. Space ('A')
60"	32"
66"	38"
72"	44"
78"	50"
84"	56"



- The lectern comes with following components:

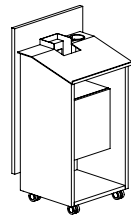
- 1 A shelf
- 2 An Underworksurface Plug-In Power Bar with 180" cord length always positioned to left side and the power bar can be removed easily and without tool using two knobs
- 3 Three wire management slots
- 4 Storage space for excess cable
- 5 Data Box with Blank Data Faceplate
- 6 A Cup Holder (positioned on the right side)

# lectern podium basics

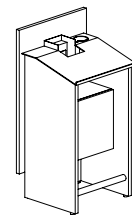
This product gives a worksurface and storage to the instructor.

- ❗ • The Lectern Podium comes fully assembled, except the Front and Metal Shelf
- All dimensions are actual

- Two configurations are available:
  - Mobile (M)
  - Stationary (S)
- The mobile configuration comes with four lockable casters
- The levelers or casters **cannot** be interchanged
- Leveling range is 3 1/2"



Mobile (M)



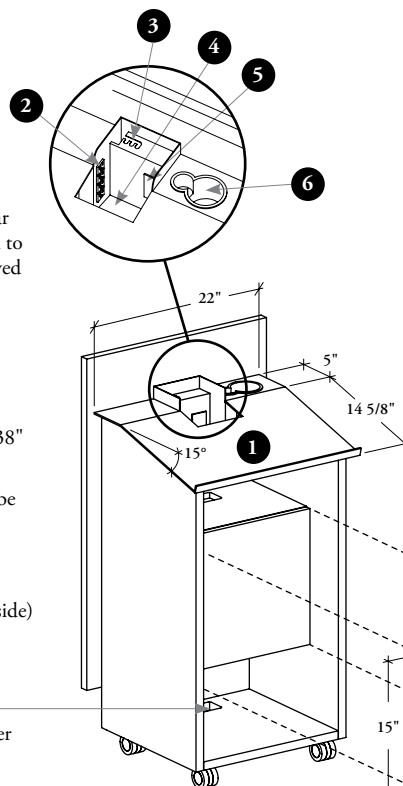
Stationary (S)

## lectern podium components

### Lectern Top

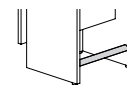
The lectern comes with following components:

- 1 A shelf
- 2 An Underworksurface Plug-In Power Bar with 180" cord length always positioned to left side and the power bar can be removed easily and without tool using two knobs
- 3 Three wire management slots
- 4 Storage space for excess cable
- 5 Data Box with Blank Data Faceplate
  - Data opening dimension is 2.71" x 1.38" (69 mm x 35 mm)
  - Voice/data faceplates and jacks (must be field supplied and installed) and Management Clips can be specified separately
- 6 A Cup Holder (positioned on the right side)



### Cable Pass-Through

Routes power bar cable to power source



### Footrest

- Only available with Stationary Configuration
- Footrest tube is 1 3/8" diameter

### Storage

The door comes with or without lock and **no** touch latch

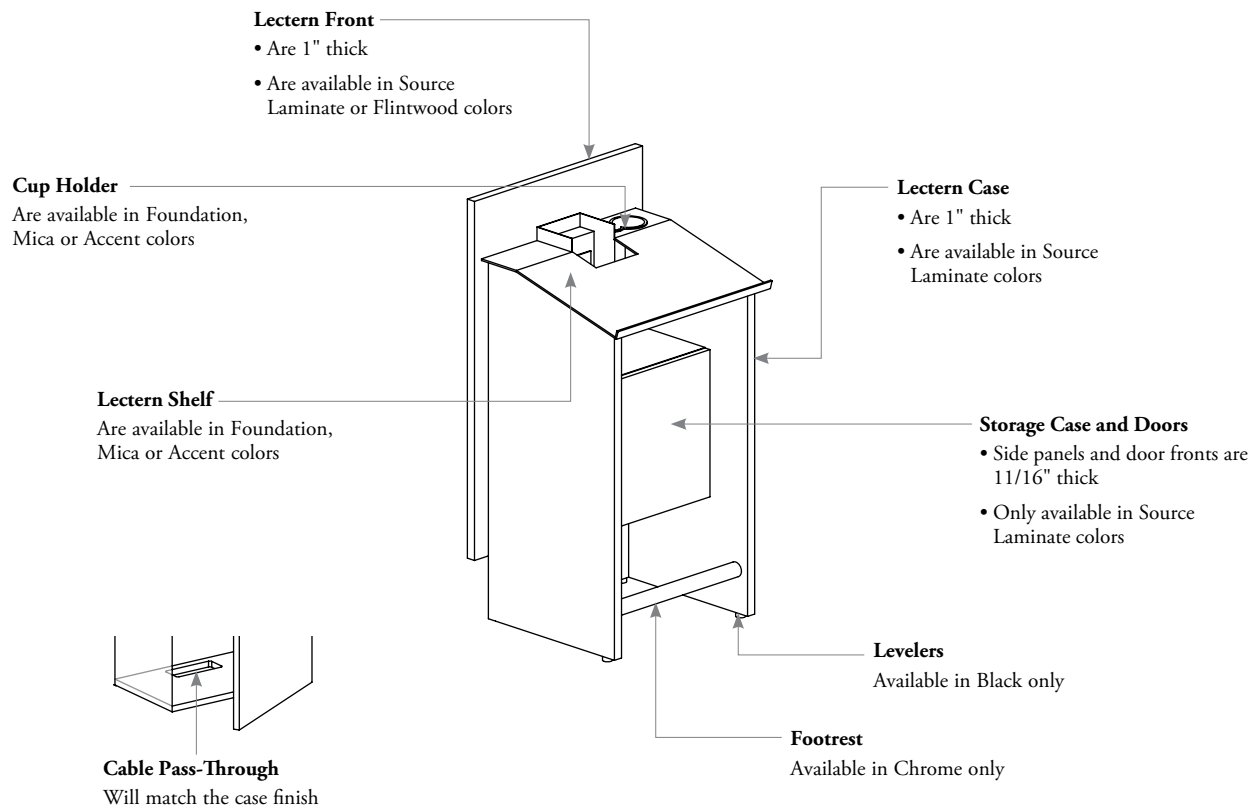
### Lock Chart

- Left Position only
- Number of locks : 1x

## lectern podium basics (continued)

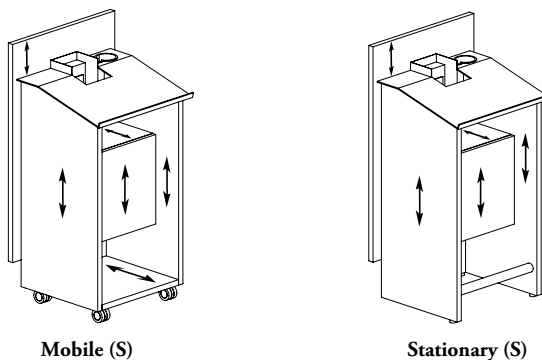
### lectern finishes

⚠ Edges of all Solid components are protected with a solid plastic edge



### grain direction

⚠ Only vertical grain direction is available





# planning with worksurface cut-outs for instructor desks

- ❗ Cut-Out style should be determined at time of specification. The surface will come with pre-drilled holes to ease the installation
- The Duo Grommet – Square (XPGQX), Power Qube (XPPC), LED Reading Lamp (XPLRL) for Square Cut-Out or Power/Data Center (XPPDC) for Power/Data Center Cut-Out must be specified separately

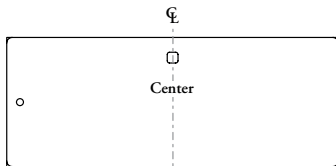
## instructor worksurface

### Instructor Worksurface (XTPW)

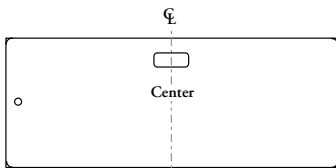
Without or With (Shown)  
LEFT Pivoting Lectern (L)



No Cut-Out (NN)

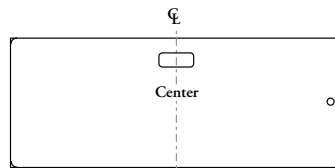
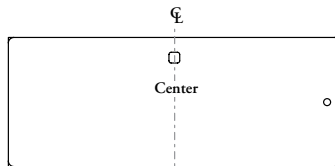


Square Cut-Out – Center (SC)



Power/Data Center Cut-Out – Center (PC)

Without or With (Shown)  
RIGHT Pivoting Lectern (R)



For Duo Grommet – Square, LED Reading Lamp or Power Modules details; see Lighting, Electrics & Communications section

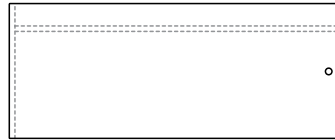
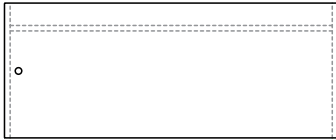
# planning with worksurface cut-outs for instructor desks (continued)

## instructor desks

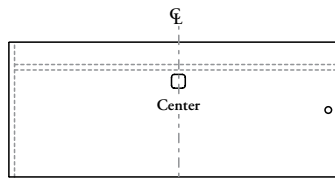
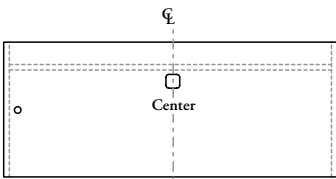
### Instructor Desk (XTPD)

Without or With (Shown)  
LEFT Pivoting Lectern (L)

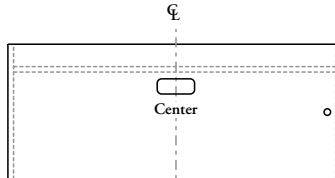
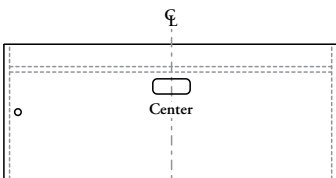
Without or With (Shown)  
RIGHT Pivoting Lectern (R)



No Cut-Out (NN)



Square Cut-Out – Center (SC)

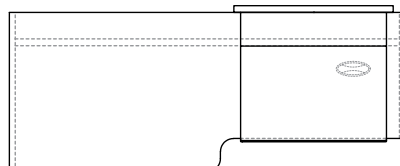
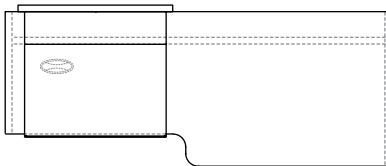


Power/Data Center Cut-Out – Center (PC)

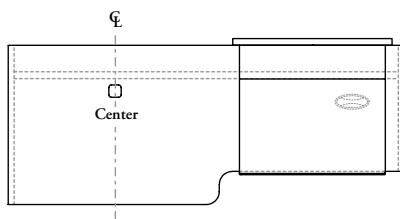
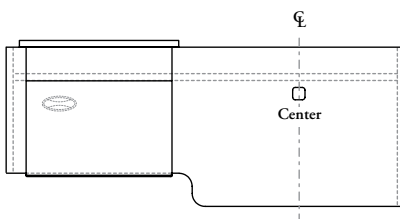
### Instructor Desk with Fixed Lectern (XTPT)

LEFT  
Fixed Lectern (L)

RIGHT  
Fixed Lectern (R)



No Cut-Out (NN)

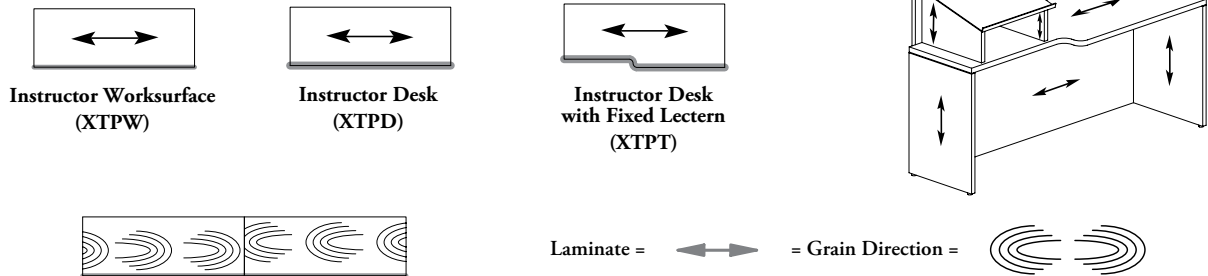


Square Cut-Out – Center (SC)

# instructor worksurface & desks grain/pattern direction

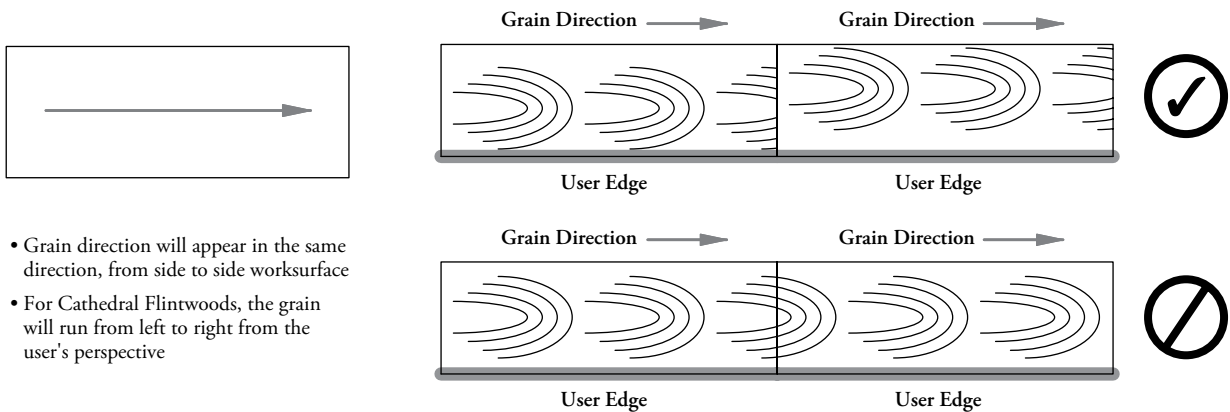
## laminite surface

- ◆ Grain direction is an important factor when planning learning configuration, if a different grain direction is required, please contact your Teknion Customer Service Representative
- The pattern/grain direction of Laminate are **not** "centered"
- Shading indicates user edge

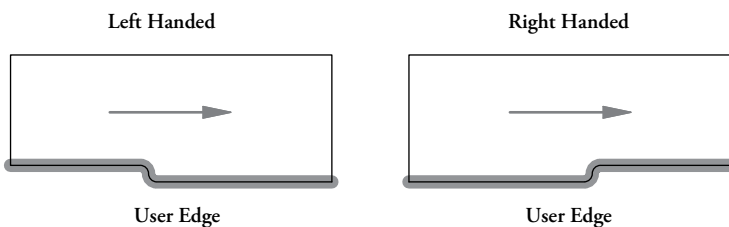


## flintwood surface

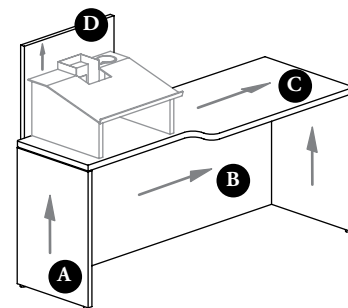
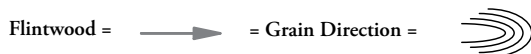
- ◆ There is no user edge so care must be taken during installation to match grain/pattern direction
- Grain/patterns are **not** "centered" and **do not** continue over multiple tables
- Applies to Flintwood (Standard and Cathedral)



- Grain direction will appear in the same direction, from side to side worksurface
- For Cathedral Flintwoods, the grain will run from left to right from the user's perspective



Regardless of worksurface handedness, grain direction from left to right from the user's perspective



- Grain direction on Supports and Modesty Panel is always vertical
- For Cathedral Flintwoods, the grain runs from bottom to top
- There is no matching grain across Support (A), Modesty Panel (B), Worksurface (C) and Front Fixed Lectern (D)

For finishes; see page 178