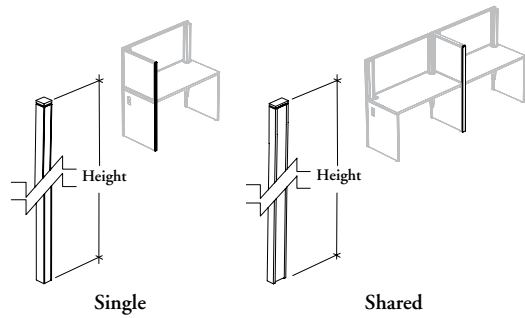


Xpress

RYCE

Lateral Stabilizer – Elements



The Lateral Stabilizer – Elements is used to stabilize elements mounted on the side of a desk. It also acts as a finished covering.

WHAT'S INCLUDED

1 aluminum extrusion, 1 finishing cover, 1 end caps, and hardware.

WHAT'S EXCLUDED

Elements.

NOTES

Listed dimensions are nominal. The height of the Lateral Stabilizer – Elements specified must equal the height of the elements onto which it is attached.

Must be installed on all unframed elements.

PRODUCT OPTIONS

Configuration	Height	Finish
S Single	13, 15, 22, 37	Foundation
D Shared		Mica

SAMPLE ORDER CODE

RYCE S	22	E
---------------	-----------	----------

DIMENSIONS
INCHES / MM

H
13 / 330
15 / 381
22 / 559
37 / 940

PRICING

SINGLE CONFIGURATION (S)

Foundation	Mica
78	84
84	92
92	97
119	125

SHARED CONFIGURATION (D)

Foundation	Mica
142	152
152	161
169	175
219	226