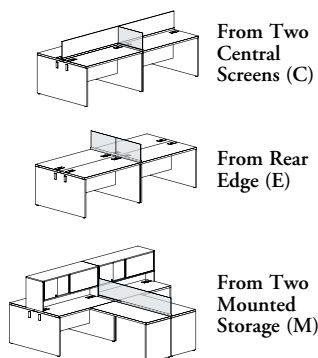
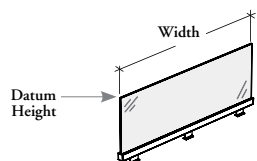


# columns & screens

**Xpress**

## RCSLG

### Lateral Screen for Spine Desk – Glass



This screen provides lateral space division and desktop privacy in Spine Desk applications.

#### WHAT'S INCLUDED

1 glass screen, support frame, and mounting hardware.

#### NOTES

Must be used in lateral position between two workstations.

Can be mounted on the top of the junction of two Single-Sided or Shared Spine Desks in side-by-side position.

The mounting option (M) is only compatible Elevated Desktop Cabinets.

Frosted (FT) is a single-sided etched tempered glass.

All glass finishes are available as Xpress. Please see Xpress catalogue and/or specification software for details.

#### PRODUCT OPTIONS

Mounting Option	Height	Width	Glass Finish	Supporting Frame Finish
<b>C</b> From Two Central Screens	<b>07</b> (Desk-Mounted Shelf Height)	<b>From Two Central Screens (C):</b> 20, 23, 26, 29, 47, 50, 53, 56, 59, 62, 65, 68, 71, 74, 77, 80, 83  <b>From Rear Edge (E):</b> 21, 24, 27, 30, 48, 51, 54, 57, 60, 63, 66, 69, 72, 75, 78, 81, 84  <b>From Two Mounted Storage (M):</b> 32, 35, 38, 40, 41, 43, 44, 46, 47, 49, 50, 52, 53, 55, 56, 58, 59, 61, 62, 64, 65, 67, 68, 70, 73, 76	<b>CL</b> Clear	Foundation Mica
<b>E</b> From Rear Edge	<b>13</b> (42" high datum line)		<b>FT</b> Frosted	
<b>M</b> From Two Mounted Storage	<b>22</b> (51" high datum line)			

#### SAMPLE ORDER CODE

<b>RCSLG C</b>	<b>13</b>	<b>74</b>	<b>FT</b>	<b>XS</b>
----------------	-----------	-----------	-----------	-----------

#### DIMENSIONS INCHES / MM

W
20 / 508
23 / 584
26 / 660
29 / 737
47 / 1194
50 / 1270
53 / 1346
56 / 1422
59 / 1499
62 / 1575
65 / 1651
68 / 1727
71 / 1803
74 / 1880
77 / 1956
80 / 2032
83 / 2108

#### PRICING

FROM TWO CENTRAL SCREENS (C)						
	HEIGHT (07)		HEIGHT (13)		HEIGHT (22)	
	Clear (CL)	Frosted (FT)	Clear (CL)	Frosted (FT)	Clear (CL)	Frosted (FT)
	195	247	203	274	244	355
	200	258	217	292	256	379
	212	277	229	313	274	408
	225	292	240	331	289	436
	288	394	314	448	379	596
	298	406	324	467	397	622
	309	426	338	486	412	647
	319	440	349	509	427	674
	328	457	362	524	441	701
	347	477	377	549	465	738
	364	495	398	573	490	777
	377	516	416	601	517	819
	397	536	434	628	542	860
	412	554	456	650	568	899
	428	575	473	676	596	940
	445	596	491	701	618	981
	462	614	513	726	646	1020

Pricing is continued on the following page.

**RCSLG**  
**Lateral Screen for Spine Desk –**  
**Glass (Continued)**

**DIMENSIONS**  
**INCHES / MM**

**PRICING**

W	FROM REAR EDGE (E)					
	HEIGHT (07)		HEIGHT (13)		HEIGHT (22)	
	Clear (CL)	Frosted (FT)	Clear (CL)	Frosted (FT)	Clear (CL)	Frosted (FT)
21 / 533	195	247	209	280	248	365
24 / 610	203	264	224	297	263	393
27 / 686	216	282	232	320	278	418
30 / 762	227	295	245	340	292	445
48 / 1219	290	398	317	455	387	603
51 / 1295	303	412	328	476	400	632
54 / 1372	313	429	340	492	416	659
57 / 1448	321	447	351	515	430	686
60 / 1524	332	464	365	532	447	712
63 / 1600	350	484	383	559	473	751
66 / 1676	368	501	405	585	499	791
69 / 1753	383	522	425	608	523	832
72 / 1829	400	542	441	635	551	871
75 / 1905	416	563	462	661	577	913
78 / 1981	432	582	478	687	602	955
81 / 2057	449	601	499	712	630	994
84 / 2134	467	622	519	737	652	1036

	FROM TWO MOUNTED STORAGE (M)					
	HEIGHT (07)		HEIGHT (13)		HEIGHT (22)	
	Clear (CL)	Frosted (FT)	Clear (CL)	Frosted (FT)	Clear (CL)	Frosted (FT)
32 / 813	235	311	252	350	304	462
35 / 889	244	324	267	370	319	488
38 / 965	255	345	277	390	336	517
40 / 1016	263	353	287	403	347	532
41 / 1041	268	360	289	408	350	542
43 / 1092	274	370	296	423	362	560
44 / 1118	277	374	299	428	367	568
46 / 1168	284	389	311	441	376	588
47 / 1194	288	394	314	448	379	596
49 / 1245	293	401	320	461	394	611
50 / 1270	298	406	324	467	397	622
52 / 1321	306	419	333	481	406	640
53 / 1346	309	426	338	486	412	647
55 / 1397	317	435	347	498	423	667
56 / 1422	319	440	349	509	427	674
58 / 1473	324	452	360	520	437	695
59 / 1499	328	457	362	524	441	701
61 / 1549	339	470	371	539	457	723
62 / 1575	347	477	377	549	465	738
64 / 1626	355	490	393	567	484	766
65 / 1651	364	495	398	573	490	777
67 / 1702	374	510	409	592	510	806
68 / 1727	377	516	416	601	517	819
70 / 1778	393	528	428	617	534	846
73 / 1854	406	549	447	641	560	886
76 / 1390	425	568	469	668	586	928