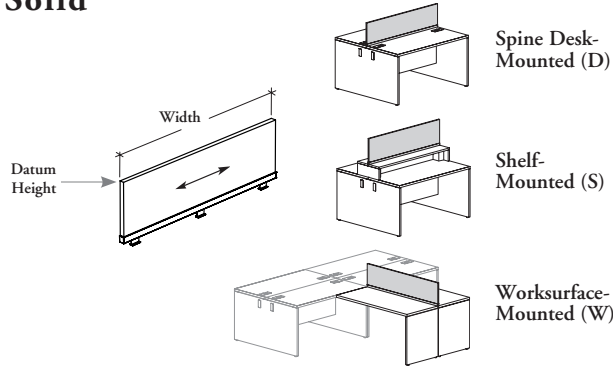


# columns & screens

**Xpress**

## RCSBLN

### Central Screen for Spine Desk – Solid



This screen provides central space division and desktop privacy in Spine Desk applications.

#### WHAT'S INCLUDED

1 solid screen, support frame, and mounting hardware.

#### NOTES

The laminate panel is 11/16" thick.

Must be used in back position between two workstations.

Can be mounted on the top of:

- The junction of two Single-Sided Spine Desks in back-to-back position or between two worksurfaces on a Shared Spine Desk
- To center of a Desk-Mounted Shelf (RSBMS)
- The junction of two Rectangular Worksurfaces in back-to-back position (RTLDL and RTLDC)

#### PRODUCT OPTIONS

| Mounting Option              | Height  | Width  | Supporting Frame Finish | Screen Finish   |
|------------------------------|---|--|-------------------------|-----------------|
| <b>D</b> Spine Desk-Mounted  | <b>13</b> (42" high datum line with Desk-Mounted option (D or W)) | 21, 24, 27, 30, 33, 36, 39, 42, 45, 48, 51, 54, 57, 60, 63, 66, 69, 72, 75, 78, 81, 84 | Foundation<br>Mica      | Source Laminate |
| <b>S</b> Shelf-Mounted       |   |  |                         |                 |
| <b>W</b> Worksurface-Mounted | <b>15</b> (51" high datum line with Shelf-Mounted option (S))     |  |                         |                 |
|                              | <b>22</b> (51" high datum line with Desk-Mounted option (D or W)) |  |                         |                 |

446

#### SAMPLE ORDER CODE

|                 |           |           |          |           |
|-----------------|-----------|-----------|----------|-----------|
| <b>RCSBLN D</b> | <b>13</b> | <b>51</b> | <b>7</b> | <b>XS</b> |
|-----------------|-----------|-----------|----------|-----------|

#### DIMENSIONS INCHES / MM

| W         |
|-----------|
| 21 / 533  |
| 24 / 610  |
| 27 / 686  |
| 30 / 762  |
| 33 / 838  |
| 36 / 914  |
| 39 / 991  |
| 42 / 1067 |
| 45 / 1143 |
| 48 / 1219 |
| 51 / 1295 |
| 54 / 1372 |
| 57 / 1448 |
| 60 / 1524 |
| 63 / 1600 |
| 66 / 1676 |
| 69 / 1753 |
| 72 / 1829 |
| 75 / 1905 |
| 78 / 1981 |
| 81 / 2057 |
| 84 / 2134 |

#### PRICING

| SPINE DESK MOUNTED (D)/<br>WORKSURFACE MOUNTED (W) |
|--|
| Height (13)  |
| 158  |
| 168  |
| 176  |
| 185  |
| 192  |
| 200  |
| 209  |
| 219  |
| 227  |
| 235  |
| 244  |
| 260  |
| 269  |
| 276  |
| 283  |
| 289  |
| 295  |
| 304  |
| 311  |
| 318  |
| 325  |
| 332  |

| SHELF MOUNTED (S) |
|-------------------|
| Height (15)       |
| 158               |
| 168               |
| 176               |
| 185               |
| 192               |
| 200               |
| 209               |
| 219               |
| 227               |
| 235               |
| 244               |
| 260               |
| 269               |
| 276               |
| 283               |
| 289               |
| 295               |
| 304               |
| 311               |
| 318               |
| 325               |
| 332               |

| SPINE DESK MOUNTED (D)/<br>WORKSURFACE MOUNTED (W) |
|--|
| Height (22)  |
| 183  |
| 192  |
| 204  |
| 216  |
| 225  |
| 236  |
| 248  |
| 256  |
| 269  |
| 281  |
| 291  |
| 304  |
| 314  |
| 323  |
| 332  |
| 343  |
| 351  |
| 362  |
| 369  |
| 379  |
| 389  |
| 398  |

