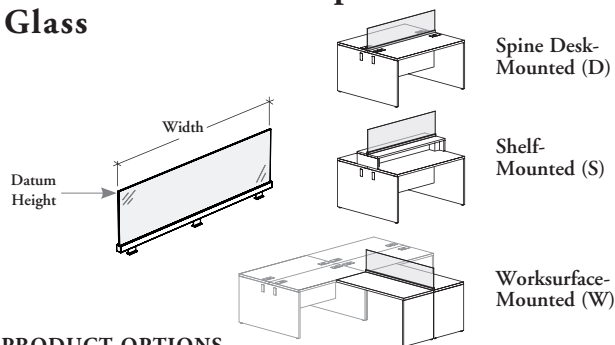


RCSBG

Central Screen for Spine Desk – Glass



This screen provides central space division and desktop privacy in Spine Desk applications. It provides a lighter, frameless alternative to Framed Screens for Spine Desk.

WHAT'S INCLUDED

1 glass screen, support frame, and mounting hardware.

NOTES

Must be used in back position between two workstations.

Can be mounted on the top of:

- The junction of two Single-Sided Spine Desks in back-to-back position or between two worksurfaces on a Shared Spine Desk
- To center of a Desk-Mounted Shelf (RSBMS)
- The junction of two Rectangular Worksurfaces in back-to-back position (RTLDC and RTLDC)

Frosted (FT) is a single-sided etched tempered glass.

PRODUCT OPTIONS

Mounting Option	Height	Width	Glass Finish	Supporting Frame Finish
D Desk-Mounted	06 (42" high datum line with Shelf-Mounted option (S)) 07 (Desk-Mounted Shelf Height with Desk-Mounted option (D or W)) 13 (42" high datum line with Desk-Mounted option (D or W)) 15 (51" high datum line with Shelf-Mounted option (S)) 22 (51" high datum line with Desk-Mounted option (D or W))	21, 24, 27, 30, 33, 36, 39, 42, 45, 48, 51, 54, 57, 60, 63, 66, 69, 72, 75, 78, 81, 84	CL Clear	Foundation Mica
S Shelf-Mounted			FT Frosted	
W Worksurface-Mounted				

450

SAMPLE ORDER CODE

RCSBG S	06	51	CL	7
----------------	-----------	-----------	-----------	----------

DIMENSIONS INCHES / MM

W
21 / 533
24 / 610
27 / 686
30 / 762
33 / 838
36 / 914
39 / 991
42 / 1067
45 / 1143
48 / 1219
51 / 1295
54 / 1372
57 / 1448
60 / 1524
63 / 1600
66 / 1676
69 / 1753
72 / 1829
75 / 1905
78 / 1981
81 / 2057
84 / 2134

PRICING

SHELF-MOUNTED (S)

HEIGHT (06)

Clear (CL)	Frosted (FT)
138	166
145	178
153	187
159	197
168	209
175	220
183	229
189	242
197	251
205	262
212	272
219	284
226	293
233	306
245	315
255	326
267	338
279	348
288	358
299	371
309	380
321	394

HEIGHT (15)

Clear (CL)	Frosted (FT)
170	231
178	249
189	264
198	281
209	295
219	313
227	330
238	346
248	363
257	378
269	395
279	410
288	427
298	443
314	466
330	488
345	512
363	533
378	555
395	579
410	601
427	622

Pricing is continued on the following page.

RCSBG
Central Screen for Spine Desk –
Glass (Continued)

DIMENSIONS
INCHES / MM

PRICING

DESK-MOUNTED (D)/
 WORKSURFACE-MOUNTED (W)

W	HEIGHT (07)		HEIGHT (13)		HEIGHT (22)	
	Clear (CL)	Frosted (FT)	Clear (CL)	Frosted (FT)	Clear (CL)	Frosted (FT)
21 / 533	151	191	162	216	192	283
24 / 610	158	206	173	231	205	304
27 / 686	167	218	180	249	215	324
30 / 762	176	229	190	263	227	345
33 / 838	185	245	199	279	241	367
36 / 914	191	256	210	292	252	386
39 / 991	200	270	219	309	263	406
42 / 1067	210	282	227	323	275	427
45 / 1143	216	295	236	339	288	447
48 / 1219	225	308	246	352	300	468
51 / 1295	235	320	255	369	310	490
54 / 1372	243	333	263	382	323	511
57 / 1448	250	346	273	399	334	531
60 / 1524	257	360	283	413	346	552
63 / 1600	272	375	298	434	367	582
66 / 1676	285	389	314	454	388	614
69 / 1753	298	405	329	472	406	645
72 / 1829	310	420	343	492	428	676
75 / 1905	323	436	358	513	447	709
78 / 1981	335	452	371	532	467	741
81 / 2057	348	466	388	552	488	771
84 / 2134	363	482	402	572	506	803