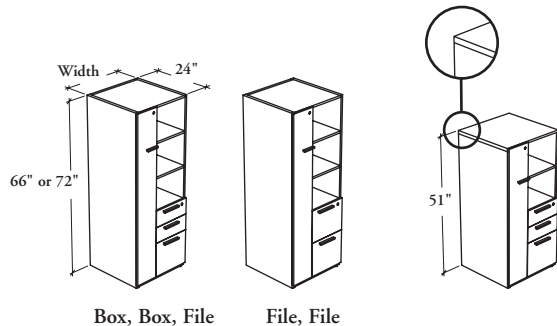


freestanding storage & accessories

Xpress

R B S C O

Half Wardrobe Unit with Drawers – Open Shelves



Box, Box, File

File, File

The Half Wardrobe Unit provides a lockable storage area to store garments and other items combined with the filing capabilities of a pedestal (letter- and legal-size paper).

WHAT'S INCLUDED

1 half wardrobe unit, 1 coat rod, pulls, levelers, lock and keys, and accessories listed below:

	Drawer Configurations		Heights		
	6612	1212	51"	66" or 72"	
Pencil Tray	1	n/a	Shelf	1	2
Drawer Divider	1	n/a			
12" Hanging File Bar	1	2			

WHAT'S EXCLUDED

Top for Solid Storage Cabinet and Hang-On Kit.

NOTES

Top on 51" height overlaps side and back panels for a cleaner look and to fit with Elevated Desktop Cabinets.

Holes at 1 1/4" intervals on the inside walls of side panels of the top section allow for shelf adjustment.

The Half Wardrobe Unit is handed and must be specified left or right. The handed end is determined by the location of the drawers.

Width of drawers is fixed. Only the wardrobe width varies.

Hanging file bars are included along the width only.

Soft Touch (2) and Standard T/O/S (4) pulls are only available in limited Foundation colors. Refer to the specification software for details.

PRODUCT OPTIONS

Depth	Width	Height	Drawer Configuration	Configuration	Drawer Front and Door Finish	Edge Trim Finish	Case Finish	Pull Style	Pull Finish	Key Style
24	24, 30, 36	51, 66, 72	6612 Box, Box, File 1212 File, File	L Left R Right (Shown)	Source Laminate Foundation Laminate Flintwood	Edge Trim Colors	Source Laminate	1 Standard Expansion 2 Soft Touch 4 Standard T/O/S 6 Arched 7 Elliptical 9 Rectilinear	Foundation Accent Mica	K Keyed Alike R Keyed Randomly

SAMPLE ORDER CODE

RBSCO 24	24	66	6612	L	3D	4D	3D	1	N	R
--------------------	----	----	------	---	----	----	----	---	---	---

DIMENSIONS INCHES / MM

D	W	H
24 / 610	24 / 610	51 / 1295
24 / 610	24 / 610	66 / 1676
24 / 610	24 / 610	72 / 1829
24 / 610	30 / 762	51 / 1295
24 / 610	30 / 762	66 / 1676
24 / 610	30 / 762	72 / 1829
24 / 610	36 / 914	51 / 1295
24 / 610	36 / 914	66 / 1676
24 / 610	36 / 914	72 / 1829

PRICING

FILE, FILE (1212)

Source Laminate	Foundation Laminate	Flintwood
1610	1748	2965
1733	1885	3204
1796	1957	3323
1820	1975	3371
1953	2145	3650
2020	2229	3789
2039	2211	3763
2190	2409	4092
2265	2506	4259

BOX, BOX, FILE (6612)

Source Laminate	Foundation Laminate	Flintwood
1639	1773	3013
1762	1910	3254
1826	1979	3373
1850	2001	3421
1982	2173	3701
2050	2257	3839
2070	2238	3811
2220	2433	4143
2294	2531	4310