

RBNSA

Metal Storage Accessories

These accessories are organizational tools for use in metal storage products.

WHAT'S INCLUDED

Divider for Box Drawer: 2 dividers.

Divider Plates for Lateral File: 3 full-height divider plates.

Cross File Bars: 2 bars.

Counterweight: 1 counterweight with mounting hardware

Pencil Tray: 1 pencil tray.

Hanging File Bars: 2 bars.

NOTES

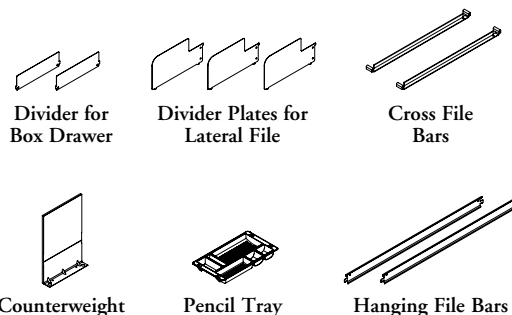
Divider Plates for Lateral File (02) are designed to fit with lateral metal fronts only.

Number of counterweights required for each product:

Stationary Pedestal	1
Combo Pedestal	2
Lateral File 30" wide	2
Lateral File 36" wide	2

These products are compatible with the following storage units:

- Metal Pedestal (RBNSP)
- Metal Combo Pedestal (RBNCPP)
- Metal Lateral File (RBNLF)



PRODUCT OPTIONS

Style
01 Divider for Box Drawer
02 Divider Plates for Lateral Files
03 Cross File Bars 15" deep
04 Counterweight
05 Pencil Tray
06 Hanging File Bars (15" wide storage)
07 Hanging File Bars (30" wide storage)
08 Hanging File Bars (36" wide storage)

SAMPLE ORDER CODE

RBNSA 03

STYLES	PRICING
01	35
02	39
03 (15" / 381 mm)	39
04	99
05	51
06 (15" / 381 mm)	38
07 (30" / 762 mm)	42
08 (36" / 914 mm)	46