

freestanding storage & accessories

Xpress

RBHAT

Supporting Tower with Lateral Access and Drawers

This product provides different storage possibilities, while supporting the worksurface, for an integrated and refined look.

WHAT'S INCLUDED

1 tower, 1 cable pass-through ring (as specified), pulls, levelers, lock and keys, mounting hardware, and accessories as listed below:

	Heights			Drawer Configurations	
	42"	51"	66"	B	F
Compartment (Lateral Access)	1	1	2	Pencil Drawer	1 n/a
Metal Shelves Section	n/a	1	1	Drawer Divider	1 n/a
				12" Hanging File Bar	1 2

WHAT'S EXCLUDED

Cable Pass-Through Cover (if applicable).

NOTES

Specify the depth according to the worksurface on which the tower is installed.

When used with odd worksurface widths, total footprint will respect 6" increments.

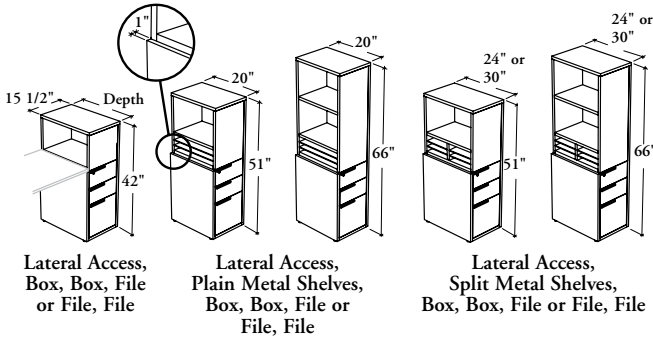
Included hanging file bars are to be installed along the width only.

A4 binder does **not** fit, because upper shelf is fixed.

Soft Touch (2) and Standard T/O/S (4) pulls are only available in limited Foundation colors. Refer to the specification software for details.

With Cable Pass-Through option is **not** available on 20" deep configuration.

Cable Pass-Through ring comes in a Platinum Coordinate.



PRODUCT OPTIONS

Depth	Height	Drawer Configuration	Configuration	Drawer Front, Front Panel and Back Panel Finish	Edge Trim Finish (Drawer Front only)	Case Finish	Pull Style	Metal Shelf and Pull Finish	Key Style	Cable Pass-Through
20, 24, 30	42, 51, 66	B Box, Box, File (Shown) F File, File	L Left R Right (Shown)	Source Laminate Flintwood	Edge Trim Colors	Source Laminate	1 Standard Expansion 2 Soft Touch 4 Standard T/O/S 6 Arched 7 Elliptical 9 Rectilinear	Foundation Accent Mica	K Keyed Alike R Keyed Randomly N No Lock	N No Cable Pass-Through P With Cable Pass-Through

SAMPLE ORDER CODE

RBHAT 24	51	F	R	LW	ST	XS	9	P	K	N
----------	----	---	---	----	----	----	---	---	---	---

DIMENSIONS INCHES / MM

D	H
20 / 508	42 / 1067
20 / 508	51 / 1295
20 / 508	66 / 1676
24 / 610	42 / 1067
24 / 610	51 / 1295
24 / 610	66 / 1676
30 / 762	42 / 1067
30 / 762	51 / 1295
30 / 762	66 / 1676

PRICING

FILE, FILE (F)		BOX, BOX, FILE (B)	
Source Laminate	Flintwood	Source Laminate	Flintwood
1286	1813	1334	1864
1614	2286	1662	2335
1862	2749	1912	2801
1356	1897	1411	1943
1739	2419	1792	2465
2008	2901	2058	2948
1481	2074	1522	2130
1945	2724	1985	2779
2254	3140	2293	3183