

freestanding storage & accessories

Xpress

RBHAD

Supporting Tower with Lateral Access and Door

This product provides different ways of storage, while supporting the worksurface, for an integrated and refined look.

WHAT'S INCLUDED

1 tower, 1 laminate adjustable shelf (base section), pulls, levelers, lock and keys, mounting hardware, and accessories as listed below:

	Heights		
	42"	51"	66"

Compartment (Lateral Access)
Metal Shelves Section

Compartment (Lateral Access)	1	1	2
Metal Shelves Section	n/a	1	1

NOTES

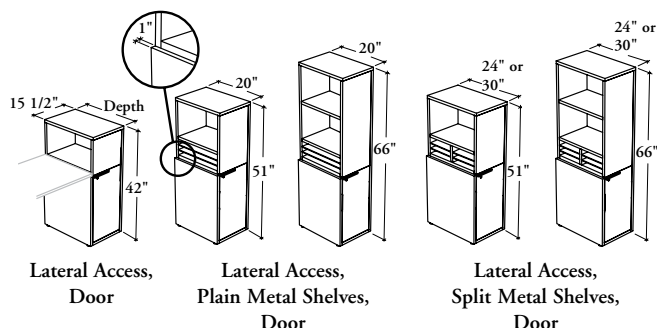
Specify the depth according to the worksurface on which the pedestal is installed.

When used with odd worksurface widths, total footprint will respect 6" increments.

Holes at 1 1/4" intervals on the inside walls of side panels allow for shelf adjustment.

A4 binder does **not** fit, because upper shelf is fixed.

Soft Touch (2) and Standard T/O/S (4) pulls are only available in limited Foundation colors. Refer to the specification software for details.



PRODUCT OPTIONS

Depth	Height	Configuration	Door, Front Panel and Back Panel Finish	Edge Trim Finish (Door only)	Case Finish	Pull Style	Metal Shelf and Pull Finish	Key Style
20, 24, 30	42, 51, 66	L Left R Right (Shown)	Source Laminate Flintwood	Edge Trim Colors	Source Laminate	1 Standard Expansion 2 Soft Touch 4 Standard T/O/S 6 Arched 7 Elliptical 9 Rectilinear	Foundation Accent Mica	K Keyed Alike R Keyed Randomly N No Lock

SAMPLE ORDER CODE

RBHAD 24	66	L	XS	ST	XS	1	P	N
-----------------	-----------	----------	-----------	-----------	-----------	----------	----------	----------

DIMENSIONS INCHES / MM

D	H
20 / 508	42 / 1067
20 / 508	51 / 1295
20 / 508	66 / 1676
24 / 610	42 / 1067
24 / 610	51 / 1295
24 / 610	66 / 1676
30 / 762	42 / 1067
30 / 762	51 / 1295
30 / 762	66 / 1676

PRICING

	Source Laminate	Flintwood
20 / 508	1145	1743
20 / 508	1482	2223
20 / 508	1731	2691
24 / 610	1217	1812
24 / 610	1604	2347
24 / 610	1878	2837
30 / 762	1327	1923
30 / 762	1795	2536
30 / 762	2119	3078