

freestanding storage & accessories

Xpress

R B A T

Freestanding Tower with Lateral Access and Drawers

This product provides different ways of storage, while supporting the worksurface, for an integrated and refined look.

WHAT'S INCLUDED

1 tower, 1 cable pass-through ring (as specified), pulls, levelers, lock and keys, mounting hardware and accessories as listed below:

	Heights			Drawer Configurations	
	42"	51"	66"	6612	1212
Compartment (Lateral Access)	1	1	2	Pencil Drawer 1	n/a
Metal Shelves Section	n/a	1	1	Drawer Divider 1	n/a
				12" Hanging File Bar 1	2

WHAT'S EXCLUDED

Top for Solid Storage Cabinet and Cable Pass-Through Cover (if applicable).

NOTES

Specify the depth according to the worksurface on which the tower is installed.

When used with odd worksurface widths, total footprint will respect 6" increments.

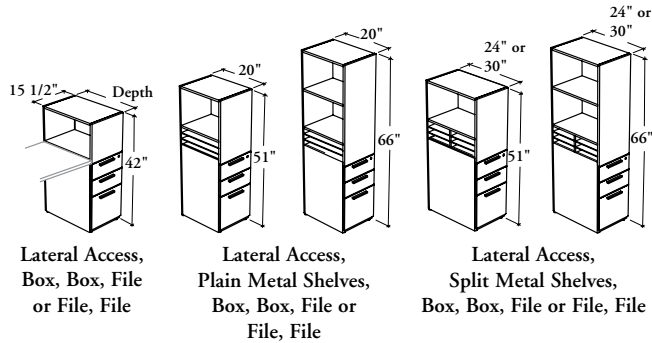
Included hanging file bars are to be installed along the width only.

A4 binder does **not** fit, because upper shelf is fixed.

Soft Touch (2) and Standard T/O/S (4) pulls are only available in limited Foundation colors. Refer to the specification software for details.

With Cable Pass-Through option is **not** available on 20" deep configuration.

Cable Pass-Through ring comes in a Platinum Coordinate.



PRODUCT OPTIONS

Depth	Height	Drawer Configuration	Configuration	Drawer Front, Front Panel and Back Panel Finish	Edge Trim Finish	Case Finish	Pull Style	Pull and Metal Shelf Finish	Key Style	Cable Pass-Through
20, 24, 30	42, 51, 66	6612 Box, Box, File (Shown) 1212 File, File	L Left R Right (Shown)	Source Laminate Foundation Laminate Flintwood	Edge Trim Colors	Source Laminate	1 Standard Expansion 2 Soft Touch 4 Standard T/O/S 6 Arched 7 Elliptical 9 Rectilinear	Foundation Accent Mica	K Keyed Alike R Keyed Randomly N No Lock	N No Cable Pass-Through P With Cable Pass-Through

SAMPLE ORDER CODE

RBAT 30	51	6612	L	2E	4E	3E	2	E	R	P
----------------	-----------	-------------	----------	-----------	-----------	-----------	----------	----------	----------	----------

DIMENSIONS INCHES / MM

D	H
20 / 508	42 / 1067
20 / 508	51 / 1295
20 / 508	66 / 1676
24 / 610	42 / 1067
24 / 610	51 / 1295
24 / 610	66 / 1676
30 / 762	42 / 1067
30 / 762	51 / 1295
30 / 762	66 / 1676

PRICING

FILE, FILE (1212)		
Source Laminate	Foundation Laminate	Flintwood
1070	1121	1680
1393	1444	2170
1621	1670	2502
1116	1168	1753
1498	1550	2322
1750	1800	2702
1202	1247	1865
1663	1711	2567
1956	2002	3003

BOX, BOX, FILE (6612)		
Source Laminate	Foundation Laminate	Flintwood
1118	1159	1735
1440	1481	2224
1665	1708	2557
1166	1202	1801
1549	1581	2373
1799	1835	2749
1242	1278	1913
1706	1739	2611
1999	2032	3048