

This product provides different ways of storage, while supporting the worksurface, for an integrated and refined look.

R B A T W

Freestanding Tower with Lateral Access, Drawers and Wardrobe

WHAT'S INCLUDED

1 tower, 1 wardrobe, 1 coat rod, pulls, levelers, lock and keys, hardware and accessories as listed below:

	Heights			Drawer Configurations		
	42"	51"	66"	6612	1212	
Compartment (Lateral Access)	1	1	2	Pencil Drawer	1	n/a
Metal Shelves Section	n/a	1	1	Drawer Divider	1	n/a
				12" Hanging File Bar	1	2

WHAT'S EXCLUDED

Top for Solid Storage Cabinet.

NOTES

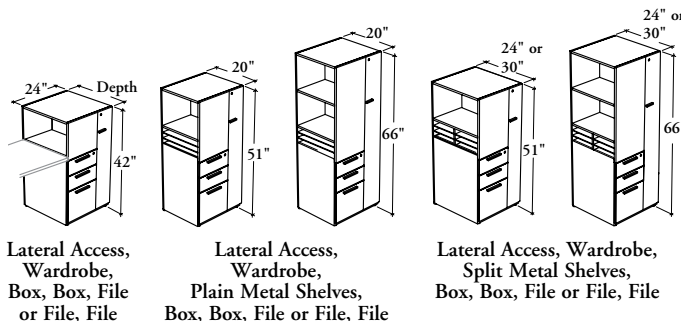
Specify the depth according to the worksurface on which the tower is installed.

Included hanging file bars are to be installed along the width only.

A4 binder does **not** fit, because upper shelf is fixed.

Soft Touch (2) and Standard T/O/S (4) pulls are only available in limited Foundation colors. Refer to the specification software for details.

11/16" thick construction.



PRODUCT OPTIONS

Depth	Height	Drawer Configuration	Configuration	Drawer Front, Front Panel and Back Panel Finish	Edge Trim Finish	Case Finish	Pull Style	Pull and Metal Shelf Finish	Key Style
20, 24, 30	42, 51, 66	6612 Box, Box, File (Shown) 1212 File, File	L Left R Right (Shown)	Source Laminate Foundation Laminate Flintwood	Edge Trim Colors	Source Laminate	1 Standard Expansion 2 Soft Touch 4 Standard T/O/S 6 Arched 7 Elliptical 9 Rectilinear	Foundation Accent Mica	K Keyed Alike R Keyed Randomly N No Lock

SAMPLE ORDER CODE

RBATW 20	51	6612	L	2E	4E	3E	2	E	R
-----------------	-----------	-------------	----------	-----------	-----------	-----------	----------	----------	----------

DIMENSIONS INCHES / MM

D	H
20 / 508	42 / 1067
20 / 508	51 / 1295
20 / 508	66 / 1676
24 / 610	42 / 1067
24 / 610	51 / 1295
24 / 610	66 / 1676
30 / 762	42 / 1067
30 / 762	51 / 1295
30 / 762	66 / 1676

PRICING

FILE, FILE (1212)		
Source Laminate	Foundation Laminate	Flintwood
1456	1492	2069
1819	1858	2600
2120	2158	3014
1536	1569	2173
1957	1995	2784
2286	2321	3239
1661	1695	2332
2169	2202	3071
2536	2572	3586

BOX, BOX, FILE (6612)		
Source Laminate	Foundation Laminate	Flintwood
1505	1543	2123
1871	1908	2648
2172	2210	3065
1586	1622	2224
2009	2044	2837
2335	2371	3287
1712	1747	2381
2216	2254	3122
2586	2619	3635