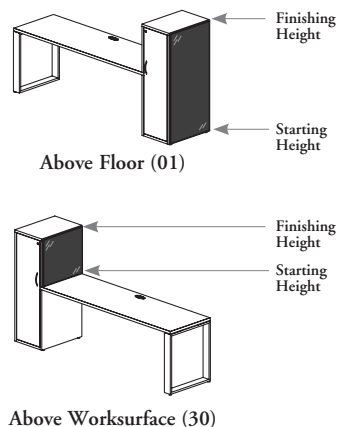
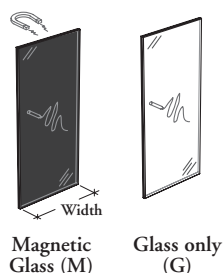


freestanding storage & accessories

RACMF

Glass Markerboard – Freestanding Storage Mounted



This markerboard must be installed on the back or side of a freestanding storage.

WHAT'S INCLUDED

1 glass markerboard, 1 mounting extrusion, double face tape attachment, mounting hardware, and accessory listed below:

Starting Height	
01	30
Rare Earth Magnet (Magnetic Glass only)	8 4

Rare Earth Magnet (Magnetic Glass only)

WHAT'S EXCLUDED

Freestanding Storage

NOTES

Can be mounted onto a single storage only.

Can be mounted on back or side of the following storage units:

- Supporting Towers (RBHAT, RBHAD, RBHSC, RBXT, RBXTC)
- Freestanding Towers (RBAT, RBATW)

Can be mounted on back only of the following storage units:

- 53" high Lateral File only (RBLF)
- Storage Units (RBCD, RBSF, RBSCO, RBSCCL, RBCG, RBSU, RBUSG, RBUW, RBWUG)
- Wardrobe Cabinet (RBSW)
- Bookcase (RBOB)

Mounting extrusion match the glass finish.

PRODUCT OPTIONS

Markerboard Style	Starting Height	Finishing Height	Width	Glass Finish
G Glass only	01 Above Floor	42, 51, 66, 72	15, 20, 24, 30, 36, 42, 48	Back-Painted
M Magnetic Glass	30 Above Worksurface			

SAMPLE ORDER CODE

RACMF M	30	42	36	K8
----------------	-----------	-----------	-----------	-----------

DIMENSIONS INCHES / MM

H	W
42 / 1067	15 / 381
42 / 1067	20 / 508
42 / 1067	24 / 610
42 / 1067	30 / 762
42 / 1067	36 / 914
42 / 1067	42 / 1067
42 / 1067	48 / 1219

ABOVE WORKSURFACE (30)	
GLASS ONLY (G)	MAGNETIC GLASS (M)
Back-Painted Glass	Back-Painted Glass
183	254
190	263
196	269
214	288
248	323
282	358
314	392

ABOVE FLOOR (01)	
GLASS ONLY (G)	MAGNETIC GLASS (M)
Back-Painted Glass	Back-Painted Glass
309	389
383	484
444	544
535	655
626	783
715	874
806	966

Pricing is continued on the following page.

R A C M F
**Glass Markerboard – Freestanding
 Storage Mounted (Continued)**

**DIMENSIONS
 INCHES / MM**

H	W
51 / 1295	15 / 381
51 / 1295	20 / 508
51 / 1295	24 / 610
51 / 1295	30 / 762
51 / 1295	36 / 914
51 / 1295	42 / 1067
51 / 1295	48 / 1219
66 / 1676	15 / 381
66 / 1676	20 / 508
66 / 1676	24 / 610
66 / 1676	30 / 762
66 / 1676	36 / 914
72 / 1829	24 / 610
72 / 1829	30 / 762
72 / 1829	36 / 914

ABOVE WORKSURFACE (30)	
GLASS ONLY (G)	MAGNETIC GLASS (M)
Back-Painted Glass	Back-Painted Glass
180	262
222	322
255	356
306	408
357	460
408	512
458	562
262	343
326	427
380	480
459	579
538	695
429	530
520	638
611	768

ABOVE FLOOR (01)	
GLASS ONLY (G)	MAGNETIC GLASS (M)
Back-Painted Glass	Back-Painted Glass
361	442
449	551
522	622
629	749
737	896
817	975
955	1112
446	546
560	679
651	807
787	943
925	1192
704	861
849	1006
998	1267