

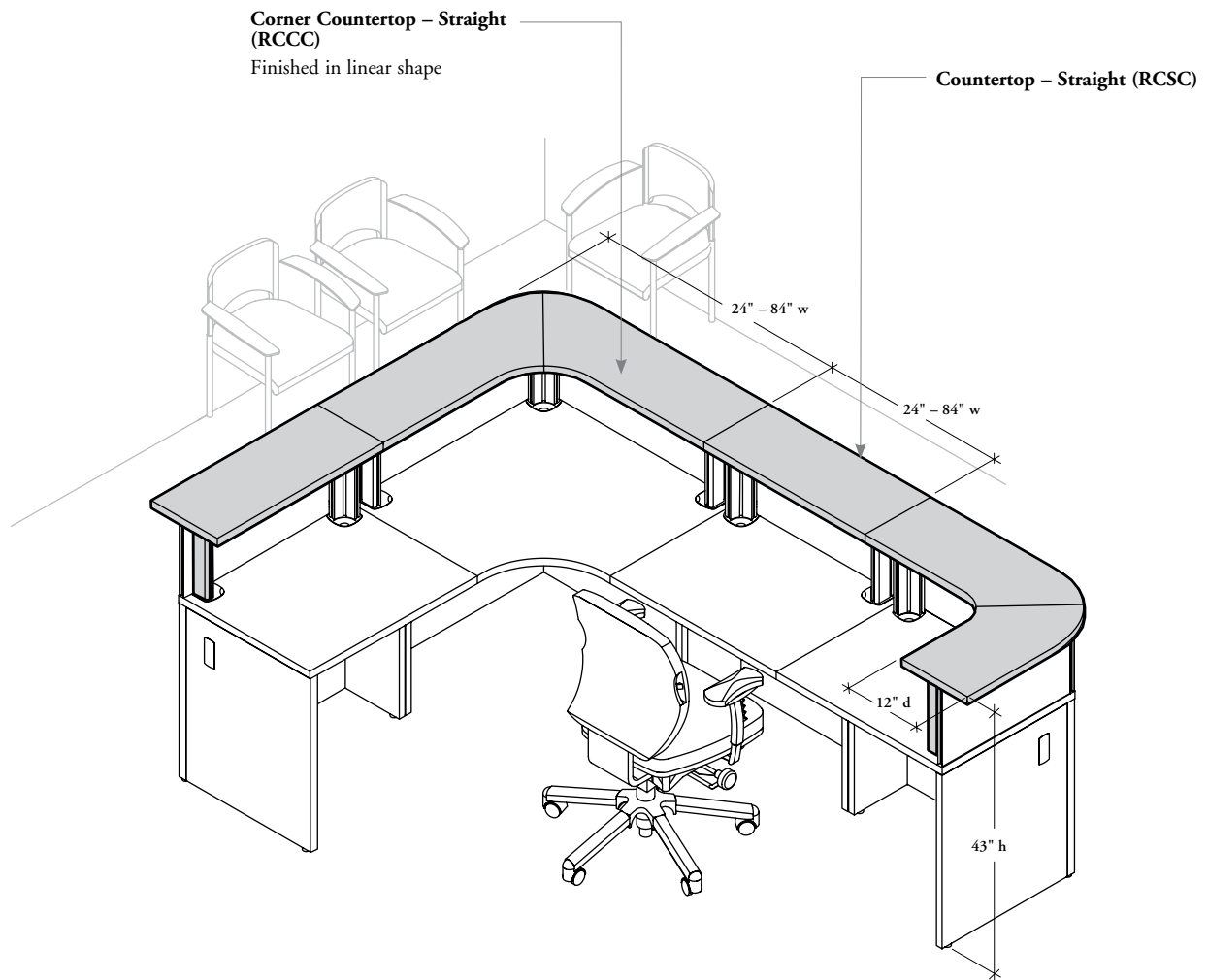
countertops

COUNTERTOP BASICS 104

countertop basics

Expansion Desking offers a wide variety of countertop surfaces. They can be used to create reception stations.

- ❗ Countertops can be installed on modular desks preferably on a straight edge
- All countertop dimensions listed are actual dimensions
- Products in this section are **not** compatible with Spine Desks
- Must be combined to 13" high elements



Finishes

- Available in Foundation Laminate colors or Flintwood Stains (No Cathedral)
- Edge trims available in Straight Trim (6) or Flintwood Flat Trim (9)
 - Flintwood Flat Trim is only available on Flintwood worksurfaces. Edge trims will be finished to match the Flintwood worksurface
 - Straight Trim is **not** available on Flintwood worksurfaces

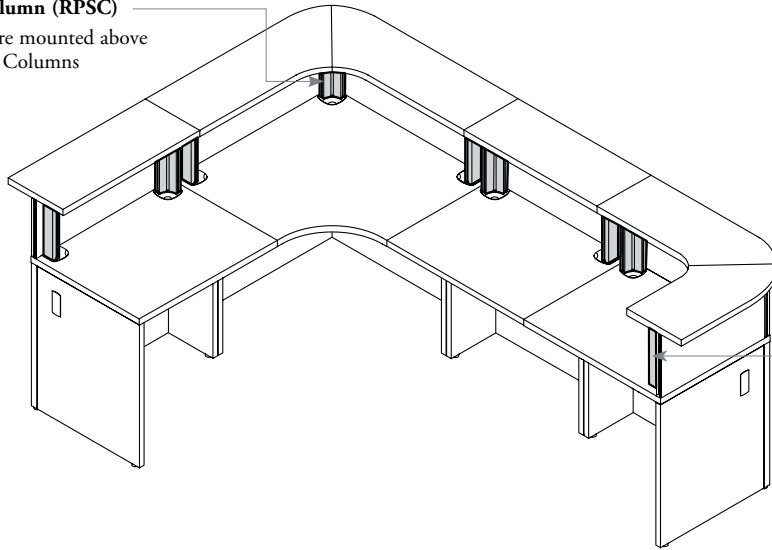
countertop basics (continued)

Countertop Supports

Two support styles are available for countertop installations:

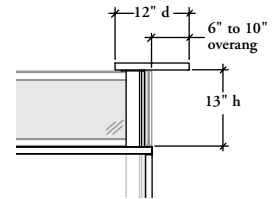
Structural Column (RPSC)

Countertops are mounted above 13" Structural Columns



Countertop Support (RCCS)

- Allows installation of a corner countertop along the depth of a desk
- Approximate total height is 43"



- Available in Foundation or Mica colors

Countertop Applications

Can be connected to one another

