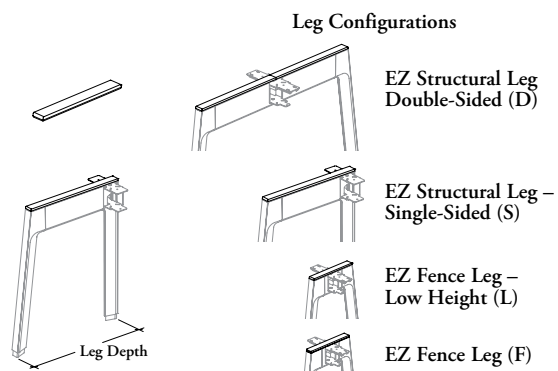


JZSLC

EZ Fence Leg Cover – Top



This cover finishes the top of the EZ Fence Legs or EZ Structural Legs in exposed application.

WHAT'S INCLUDED

1 ez fence leg cover (ez fence leg – low height or ez structural leg – single-sided) or 2 covers (ez structural leg – double-sided) and mounting clips.

WHAT'S EXCLUDED

EZ Fence Legs or EZ Structural Legs.

NOTES

Can be used only with the following supports:

- EZ Fence Leg (JZSFS)
- EZ Fence Leg – Low Height (JZSFL)
- EZ Structural Leg – Single- or Double-Sided (JZSLS or JZSLD)

PRODUCT OPTIONS

Support Style	Leg Configuration	Leg Depth	Finish
A Angled	D EZ Structural Leg – Double-Sided	17, 18, 20, 24, 36, 48	Foundation Mica Accent
	F EZ Fence Leg		
	L EZ Fence Leg – Low Height		
	S EZ Structural Leg – Single-Sided		

SAMPLE ORDER CODE

JZSLC A	F	20	74
---------	---	----	----

DIMENSIONS INCHES / MM

LEG CONFIG.	D
D	36 / 914
D	48 / 1219
F	20 / 508
L	17 / 432
S	18 / 457
S	24 / 610

PRICING

74
103
24
24
37
52

preconfigured ez fence
structure