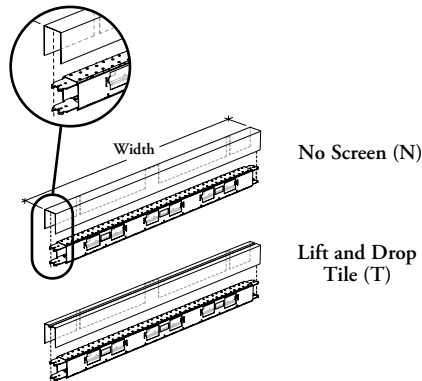


JZSCS

Chicago EZ Fence Beam for Corridor



The Chicago EZ Fence Beam for Corridor is a key structural element of the product providing horizontal support for Floor or Modesty Screen – EZ Fence Beam-Mounted. It also carries electricity and data cabling across workstations.

WHAT'S INCLUDED

1 Chicago EZ Fence Beam cover for Corridor (with or without power and data openings, (as specified)), cover mounting clips, facing down brackets, mounting hardware.

WHAT'S EXCLUDED

Power Box, Receptacle Outlet, Voice and Data Faceplates.

NOTES

When Power and Data Opening (NN) is specified, only Opening Position (N) is available.

When Power and Data Opening (DO) is specified, only Opening Position (C, L or R) are available.

When 48" to 60" widths and Power and Data Opening (DO) are specified, only Opening Position (L or R) is available.

When Power and Data Opening (DO) is specified, a Communication Extender Plate (JNEDE) must be used to install Voice and Data Faceplate.

PRODUCT OPTIONS

Configuration	Width	Power and Data Opening	Opening Position	Finish
N No Screen	48, 54, 60, 66, 72, 78, 84	DO Power and Data – One Side	C Center	Foundation
T Lift and Drop Tile		NN No Opening	L Left R Right N No Opening	Mica Accent

SAMPLE ORDER CODE

JZSCS N	66	DO	C	74
----------------	-----------	-----------	----------	-----------

DIMENSIONS INCHES / MM

W
48 / 1219
54 / 1372
60 / 1524
66 / 1676
72 / 1829
78 / 1981
84 / 2134

PRICING

NO SCREEN (N)
247
274
300
329
357
364
370

LIFT AND DROP TILE (T)
260
287
313
342
370
377
383

