

The EZ Fence Beam for Corridor is a key structural element of the product providing horizontal support for Floor or Modesty Screen – EZ Fence Beam-Mounted. It also carries electricity and data cabling across workstations.

**WHAT'S INCLUDED**

1 ez fence beam cover for corridor (with or without power and data openings, (as specified)), cover mounting clips, facing down brackets, mounting hardware.

**WHAT'S EXCLUDED**

Power Box, Receptacle Outlet, Voice and Data Faceplates.

**NOTES**

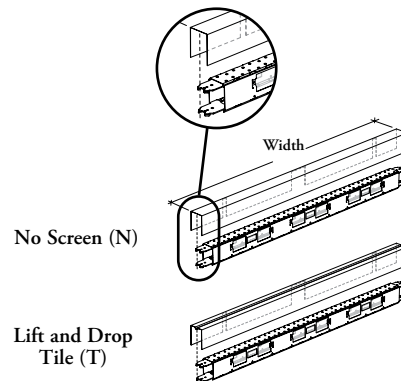
When Power and Data Opening (NN) is specified, only Opening Position (N) is available.

When Power and Data Opening (DO or PO) is specified, only Opening Position (C, L or R) are available.

When 48" to 60" widths and Power and Data Opening (DO or PO) are specified, only Opening Position (L or R) is available.

When Power and Data Opening (DO or PO) is specified, a Communication Extender Plate (JNEDE) must be used to install Voice and Data Faceplate.

**J Z S B S**  
**EZ Fence Beam for Corridor**



**PRODUCT OPTIONS**

Configuration	Width	Power and Data Opening	Opening Position	Finish
N No Screen T Lift and Drop Tile	48, 54, 60, 66, 72, 78, 84	DO Power and Data – One Side PO Power Only – One Side NN No Opening	C Center L Left R Right N No Opening	Foundation Mica Accent

**SAMPLE ORDER CODE**

<b>JZSBS N</b>	<b>66</b>	<b>DO</b>	<b>C</b>	<b>74</b>
----------------	-----------	-----------	----------	-----------

**DIMENSIONS**  
**INCHES / MM**

W
48 / 1219
54 / 1372
60 / 1524
66 / 1676
72 / 1829
78 / 1981
84 / 2134

**PRICING**

NO SCREEN (N)	LIFT AND DROP TILE (T)
247	260
274	287
300	313
329	342
357	370
364	377
370	383