

The EZ Fence for Lift and Drop Tile – Low Shared includes all structural components that provide support for all Lift and Drop Tiles and Lift and Drop Vertical Posts. It also carries electricity and data cabling across workstations.

WHAT'S INCLUDED

1 or 2 low shared ez fence legs (as specified), 1 or 2 shared ez upper a-frame (as specified), 1 ez upper rail for lift and drop tile, 1 ez fence beam cover (with or without power and data openings, (as specified)), cover mounting clips, facing down brackets, mounting hardware.

WHAT'S EXCLUDED

EZ Upper A-Frame for Laminate Shelves, Lift and Drop Tiles, Communication Extender Plate, Power Box, Receptacle Outlet and Harness.

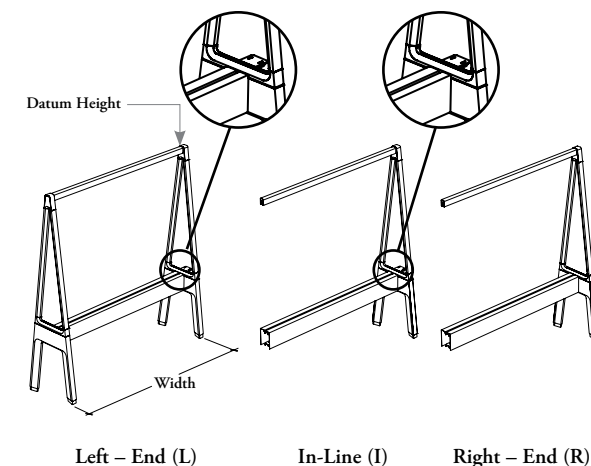
NOTES

When Power and Data Opening (NN) is specified, only Opening Position (N) is available.

When 48" to 60" widths and Power and Data Opening (DT) are specified, only Opening Position (L or R) is available.

When Power and Data Opening (DT) is specified, only Opening Position (C, L or R) is available.

J Z P L D
EZ Fence for Lift and Drop Tile – Low Shared



PRODUCT OPTIONS

Configuration	Datum Height	Width	Power and Data Opening	Opening Position	Frame Finish
I In-Line	56	48, 54, 60, 66, 72, 78, 84	DT Power and Data – Two Sides	C Center	Foundation
L Left – End			NN No Opening	L Left	Mica
R Right– End			N No Opening	R Right	Accent
				N No Opening	

SAMPLE ORDER CODE

JZPLD I	56	48	NN	N	68
----------------	-----------	-----------	-----------	----------	-----------

DIMENSIONS
INCHES / MM

H	W
56 / 1422	48 / 1219
56 / 1422	54 / 1372
56 / 1422	60 / 1524
56 / 1422	66 / 1676
56 / 1422	72 / 1829
56 / 1422	78 / 1981
56 / 1422	84 / 2134

PRICING

END – LEFT (L)	IN-LINE (I)	END – RIGHT (R)
1858	1155	1124
1894	1191	1160
1929	1226	1195
1966	1263	1232
2002	1299	1268
2017	1314	1283
2031	1328	1297

ez lift & drop tiles &
shelves