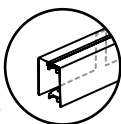


preconfigured ez fence structure

J Z P B

EZ Fence for Lift and Drop Tile – Single-Sided for Corridor



The EZ Fence for Lift and Drop Tile – Single-Sided for Corridor includes all structural components that provide support for all Lift and Drop Tiles and Lift and Drop Vertical Posts. It also carries electricity and data cabling across workstations.

WHAT'S INCLUDED

1 or 2 ez single-sided structural legs (as specified), 1 or 2 single-sided ez upper a-frame (as specified), 1 ez upper rail for lift and drop tile, 1 ez fence beam cover (with or without power and data openings, (as specified)), cover mounting clips, facing down brackets, mounting hardware.

WHAT'S EXCLUDED

Lift and Drop Tiles, Communication Extender Plate, Power Box, Receptacle Outlet and Harness.

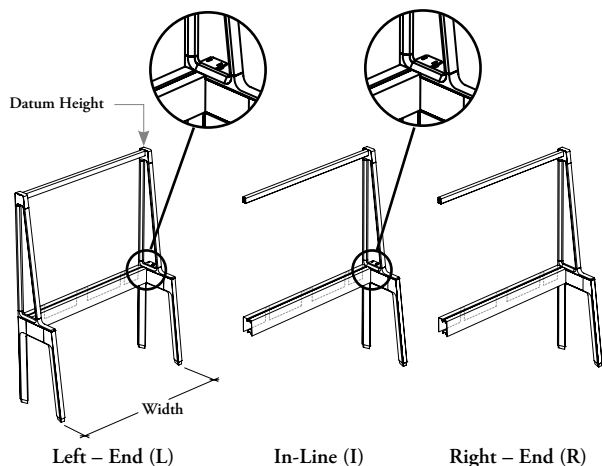
NOTES

EZ Fence Beam Cover exposes the back of the beam to enable Modesty Screen or Floor Screen – EZ Fence Beam-Mounted installation.

When Power and Data Opening (NN) is specified, only Opening Position (N) is available.

When 48" to 60" widths and Power and Data Opening (DO) is specified, only Opening Position (L or R) is available.

When Power and Data Opening (DO) is specified, only Opening Position (C, L or R) is available.



PRODUCT OPTIONS

Configuration	Datum Height	Width	Power and Data Opening	Opening Position	Frame Finish
I In-Line L Left – End R Right – End	57, 66	48, 54, 60, 66, 72, 78, 84	DO Power and Data – One Side NN No Opening	C Center L Left R Right N No Opening	Foundation Mica Accent

SAMPLE ORDER CODE

JZPB I	66	78	NN	N	68
--------	----	----	----	---	----

DIMENSIONS INCHES / MM

H	W
57 / 1448	48 / 1219
57 / 1448	54 / 1372
57 / 1448	60 / 1524
57 / 1448	66 / 1676
57 / 1448	72 / 1829
57 / 1448	78 / 1981
57 / 1448	84 / 2134
66 / 1676	48 / 1219
66 / 1676	54 / 1372
66 / 1676	60 / 1524
66 / 1676	66 / 1676
66 / 1676	72 / 1829
66 / 1676	78 / 1981
66 / 1676	84 / 2134

PRICING

END – LEFT (L)	IN-LINE (I)	END – RIGHT (R)
2090	1282	1230
2126	1318	1266
2161	1353	1300
2198	1390	1337
2234	1426	1373
2249	1441	1389
2263	1455	1402
2100	1286	1234
2136	1322	1270
2170	1357	1305
2207	1394	1342
2243	1430	1378
2259	1445	1393
2272	1459	1407