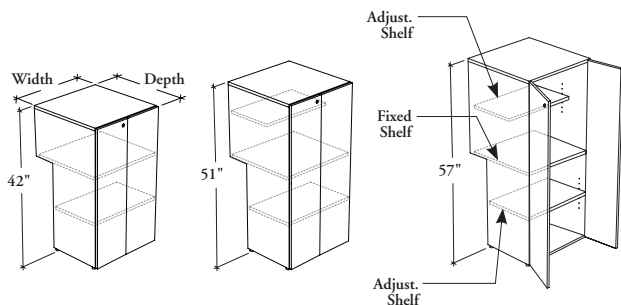


freestanding storage

JNFBTS

Beam Tower with Two Full Solid Doors



This beam tower provides storage area with shelving, while supporting the front of a worksurface and let a beam pass-through.

WHAT'S INCLUDED

1 beam tower, levelers, 2 hang-on kits (if in-line (I)), locks and keys (if specified), beam mounting hardware, and accessories as listed below:

	Heights		
	42"	51"	57"
Adjustable Shelf	1	2	2
Fixed Shelf	1	1	1

NOTES

Holes at 1 1/4" intervals on the inside walls of side panels allow for shelf adjustment.

PRODUCT OPTIONS

Front Style	Interior Configuration	Depth	Width	Height	Position	Door Front Finish	Edge Trim Finish (Laminate Front Only)	Case Finish	Cable Pass-Through	Key Style
S Solid	S Shelves	24, 30	24, 30, 36	42, 51, 57	I In-Line	Source Laminate Foundation Laminate	Edge Trim Colors	Source Laminate	X Not Applicable	K Keyed Alike R Keyed Randomly N No Lock

SAMPLE ORDER CODE

JNFBTS S	S	24	24	42	I	XG	SS	XG	X	R
-------------	---	----	----	----	---	----	----	----	---	---

DIMENSIONS INCHES / MM

D	W	H
24 / 610	24 / 610	42 / 1067
24 / 610	24 / 610	51 / 1295
24 / 610	24 / 610	57 / 1448
24 / 610	30 / 762	42 / 1067
24 / 610	30 / 762	51 / 1295
24 / 610	30 / 762	57 / 1448
24 / 610	36 / 914	42 / 1067
24 / 610	36 / 914	51 / 1295
24 / 610	36 / 914	57 / 1448
30 / 762	24 / 610	42 / 1067
30 / 762	24 / 610	51 / 1295
30 / 762	24 / 610	57 / 1448
30 / 762	30 / 762	42 / 1067
30 / 762	30 / 762	51 / 1295
30 / 762	30 / 762	57 / 1448
30 / 762	36 / 914	42 / 1067
30 / 762	36 / 914	51 / 1295
30 / 762	36 / 914	57 / 1448

PRICING

	Source Laminate	Foundation Laminate
	1004	1096
	1111	1222
	1197	1322
	1117	1231
	1228	1368
	1317	1473
	1117	1254
	1228	1396
	1315	1501
	1092	1184
	1197	1309
	1286	1411
	1206	1320
	1317	1457
	1404	1560
	1206	1343
	1317	1484
	1409	1596