

This beam tower provides storage area with shelving, while supporting the front of a worksurface and let a beam pass-through.

WHAT'S INCLUDED

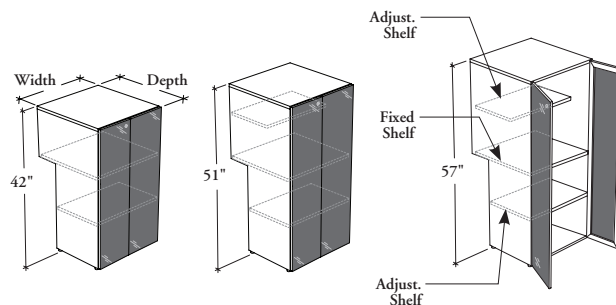
1 beam tower, levelers, 2 hang-on kits (if in-line (I)), locks and keys (if specified), beam mounting hardware, and accessories as listed below:

	Heights		
	42"	51"	57"
Adjustable Shelf	1	2	2
Fixed Shelf	1	1	1

NOTES

Holes at 1 1/4" intervals on the inside walls of side panels allow for shelf adjustment.

J N F B T G Beam Tower with Two Full Glass Doors



PRODUCT OPTIONS

Interior Configuration	Depth	Width	Height	Position	Door Frame Finish	Glass Door Finish	Case Finish	Cable Pass-Through	Key Style
S Shelves	24, 30	24, 30, 36	42, 51, 57	I In-Line	Foundation Mica Accent	Back-Painted	Source Laminate	X Not Applicable	K Keyed Alike R Keyed Randomly N No Lock

SAMPLE ORDER CODE

JNFBTG S	24	24	42	I	53	K1	XG	X	K
-------------	----	----	----	---	----	----	----	---	---

DIMENSIONS INCHES / MM

D	W	H
24 / 610	24 / 610	42 / 1067
24 / 610	24 / 610	51 / 1295
24 / 610	24 / 610	57 / 1448
24 / 610	30 / 762	42 / 1067
24 / 610	30 / 762	51 / 1295
24 / 610	30 / 762	57 / 1448
24 / 610	36 / 914	42 / 1067
24 / 610	36 / 914	51 / 1295
24 / 610	36 / 914	57 / 1448
30 / 762	24 / 610	42 / 1067
30 / 762	24 / 610	51 / 1295
30 / 762	24 / 610	57 / 1448
30 / 762	30 / 762	42 / 1067
30 / 762	30 / 762	51 / 1295
30 / 762	30 / 762	57 / 1448
30 / 762	36 / 914	42 / 1067
30 / 762	36 / 914	51 / 1295
30 / 762	36 / 914	57 / 1448

PRICING

Back-Painted
1353
1491
1594
1474
1617
1724
1478
1626
1733
1440
1578
1682
1562
1705
1811
1566
1713
1829

KEY UPCHARGE

Key Alike or Keyed Randomly
42
42
42
42
42
42
42
42
42
42
42
42
42
42
42
42
42
42
42