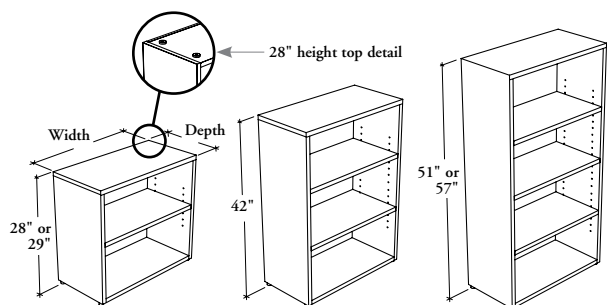


# freestanding storage

## JNFBL Bookcase



The Bookcase provides open storage within the workstation.

### WHAT'S INCLUDED

1 bookcase, levelers, supporting kit (includes with 28" height only) and adjustable shelf as listed below:

#### Adjustable Shelves

28" or 29" high	1
42" high	2
51" or 57" high	3

### WHAT'S EXCLUDED

Hang-On Kit.

### NOTES

28" high Bookcase must be used under worksurfaces.

Top on 29" to 57" heights overlaps side and back panels for a cleaner look.

Holes at 1 1/4" intervals on the inside walls of side panels allow for shelf adjustment.

The shelves and case construction are 1" thick.

Two rows of standard letter-size binders will not fit in the 28" high Bookcase.

### PRODUCT OPTIONS

Depth	Width	Height	Finish
15, 18	18, 24, 30, 36	28, 29, 42, 51, 57	Source Laminate

### SAMPLE ORDER CODE

<b>JNFBL 15</b>	<b>18</b>	<b>28</b>	<b>3D</b>
-----------------	-----------	-----------	-----------

### DIMENSIONS INCHES / MM

D	W
15 / 381	18 / 457
15 / 381	24 / 610
15 / 381	30 / 762
15 / 381	36 / 914
18 / 457	18 / 457
18 / 457	24 / 610
18 / 457	30 / 762
18 / 457	36 / 914

### PRICING

28" or 29" HEIGHT	42" HEIGHT	51" or 57" HEIGHT
460	687	719
499	717	751
538	747	781
579	777	815
479	720	754
516	751	784
555	780	814
595	812	845