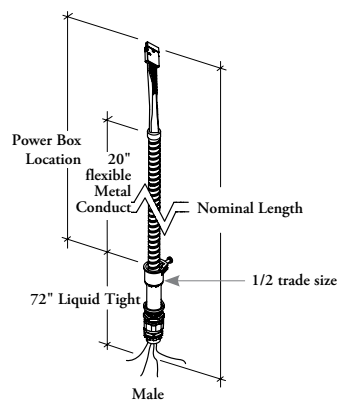




## JNEPBF

### Base Feed



The Base Feed connects to the building supply and routes power into the workstation from the wall or floor.

#### WHAT'S INCLUDED

1 base feed and mounting hardware.

#### WHAT'S EXCLUDED

i-Connector and Four-Way Splitter.

#### NOTES

The Base Feed is mounted under a Structural Beam (JNDBB), EZ Fence Beam (JZSBB), EZ Fence Beam for Corridor (JZSBS), Chicago Structural Beam (JNDCB), Chicago EZ Fence Beam (JZSCB) or Chicago EZ Fence Beam for Corridor (JZSCS).

The connection to the building power supply must be executed by a qualified electrician.

Check local codes for limits or restrictions on harness length.

Refer to Application Guide for applications.

#### PRODUCT OPTIONS

Wire System	Length	Country of Installation	PVC Option
7K 7-Wire Dual Non Isolated	036, 072	A Canada/U.S.A.	S Standard
7T 7-Wire Non Isolated Ground			V PVC Free
8K 8-Wire Dual Isolated			
8T 8-Wire Isolated Ground			

#### SAMPLE ORDER CODE

JNEPBF 8T	072	A	S
-----------	-----	---	---

#### DIMENSIONS INCHES / MM

L
36 / 914
72 / 1829

#### PRICING

STANDARD (S)	PVC FREE (V)
7T, 8T, 7K or 8K	7T, 8T, 7K or 8K
335	363
362	437