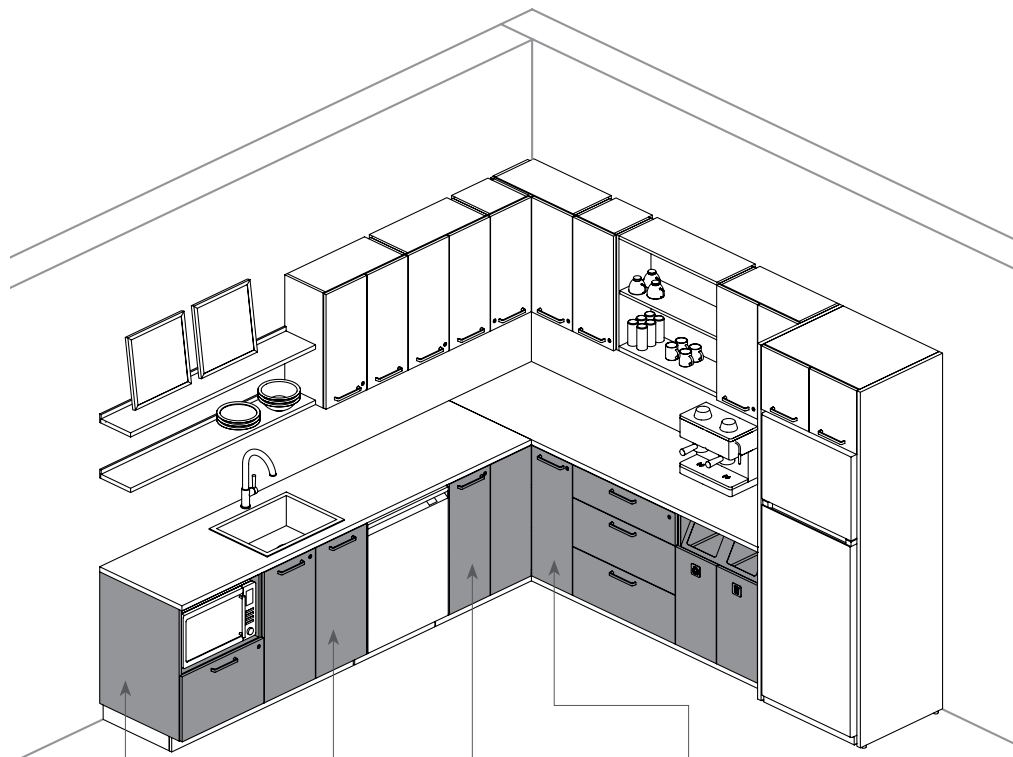


base cabinets

UNDERSTANDING BASE CABINETS	32
BASE CABINETS COMPONENTS	36
BASE CABINETS BASICS	38
PLANNING WITH BASE CABINETS	
FRONT ALIGNMENT OVERVIEW	42
INTERIOR CLEARANCE	43
HINGE STYLES	44
DRAWER STYLES	44
FILING CAPABILITIES	45
CUT-OUT FOR BASE CABINET – MICROWAVE SECTION & DRAWER	46
WASTE/RECYCLING SYSTEMS	47
PLANNING WITH BASE CABINET FOR STANDARD CORNER	48
PLANNING WITH BASE CABINET FOR BLIND CORNER	49

understanding base cabinets

Base Cabinets are available in many styles and dimensions for maximum configuration possibilities. They can be used alone or placed under Upper Cabinets to provide convenient open or closed storage.



Base Cabinets

• Sixteen styles are available:

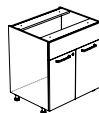


Microwave Section with Drawer (CEBMD)

- Comes with one drawer at the bottom and open section for microwave
- An optional Pass-Through Grommet is available to access wall outlets



Sink – Doors (CEBKS)



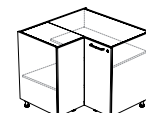
Sink – Doors & False Front (CEBKFS)

- These two Base Cabinets styles are designed for sink application
- Do not feature adjustable shelf or adjustment holes
- Sink Cut-Out must be done by the installer

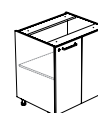


Door(s) (CEBS)

Comes with one adjustable shelf per section



Standard Corner – Door (CEBCAS)



Blind Corner – Door (CEBCBS)

These two Base Cabinets styles are available for corner application

For Finishes; see page 38

For Pull Styles; see page 120

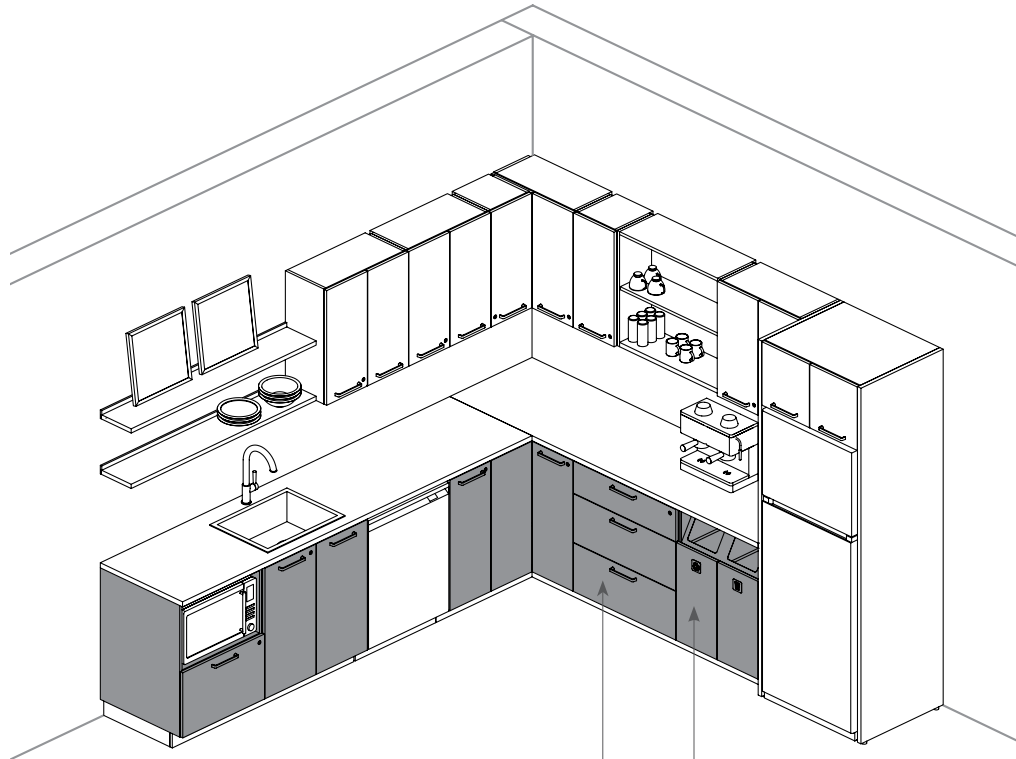
For Lock Chart; see page 122

For Cabinets Product Offering; see page 126

For Grain Direction; see page 132

understanding base cabinets (continued)

Base Cabinets (continued)



Three Drawers
(CEBDT)



Four Drawers
(CEBDF)

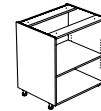
- Available with three drawers:
 - Equal (E) Configuration (Shown)
 - One Small & Two Large (U) Configuration
- or four drawers:
 - Equal (E) Configuration



Open Recycling/Disposal Center
(CEBWU)

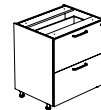
- Waste Bins included with storage
- Door front(s) has(ve) **no** pull and can be handled with fingertips from the top of the door
- Optional Identification Symbol (CEASR) are available
- This center is **not** lockable

Also available:



Open
(CEBO)

Comes with one adjustable shelf per section

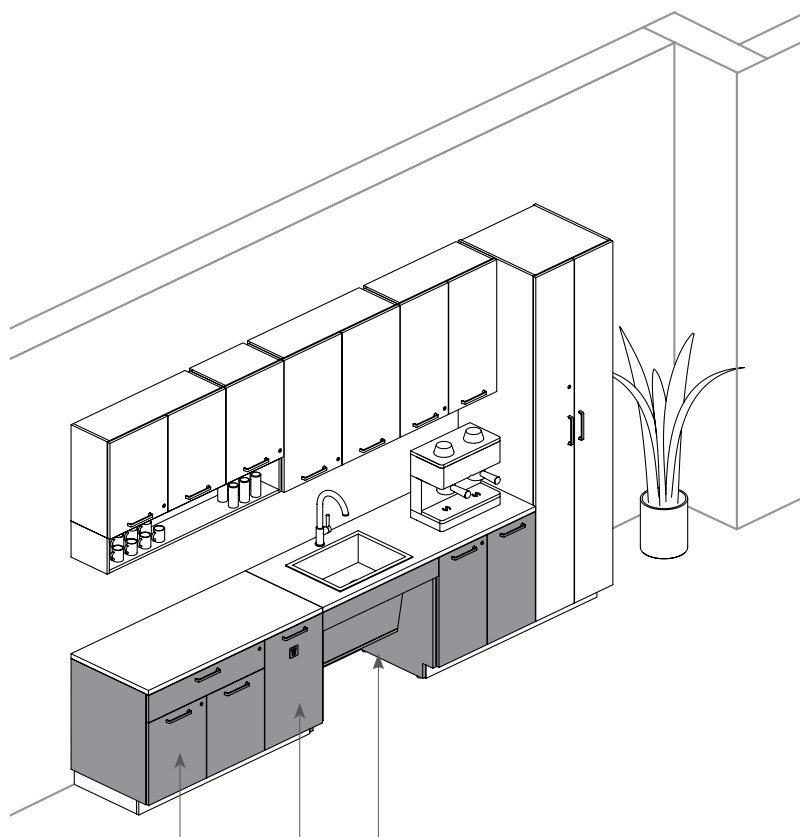


Filing Drawers
(CEBDLF)

- Designed for paper filing and compatible hanging file folders
- Comes with two drawers with Standard Soft-Close slides

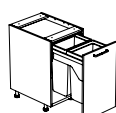
understanding base cabinets (continued)

Base Cabinets (continued)



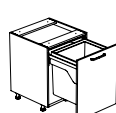
Door(s) and Drawer(s)
(CEBDS)

- Three configurations are available:
 - One Door & One Drawer (O)
 - Two Doors & One Drawer (T) (Shown)
 - Two Doors & Two Drawers (X)
- Lockable sections vary according to the specified Drawer Style. Refer to the Lock Chart
- Features a full-depth divider between drawer and door(s) section

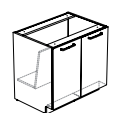


Pull-Out Recycling/Waste Center – Dual Bins
(CEBWPD)

- Come with Soft-Close Pull-Out System
- The Dual Bins come with two bins of 35L each
- The Single XL Bin comes with one bin of 90L
- Height, door width, and depth **do not** affect waste capacity
- Optional Identification Symbol (CEASR) are available
- **Not lockable**

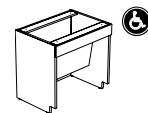


Pull-Out Recycling/Waste Center – Single XL Bin
(CEBWPX)



Sink – People Reduced Mobility – Doors
(CEBKRS)

- Designed for sink application
- **Not lockable**
- Come with Soft-Close full extension hinges
- **Do not** feature adjustable shelf or adjustment holes
- Stainless (ADA) (8) and Modern Straight (ADA) (M) handles are recommended with these cabinets, since they are ADA-compliant
- Requires ADA-compliant sink (6" and drain located to the back)
- Sink Cut-Out must be done by the installer



Sink – People Reduced Mobility – Open
(CEBKRO)



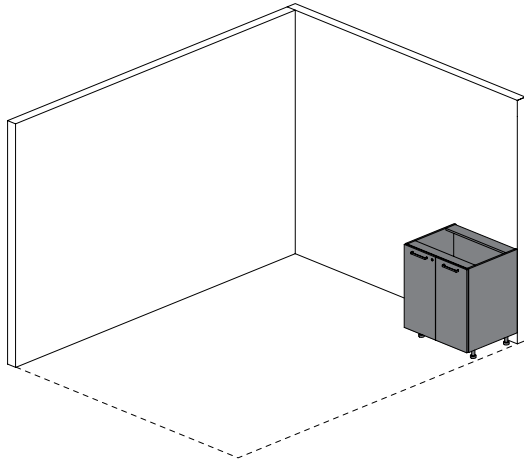
This symbol is used for products designed for people with reduced mobility. **HOWEVER**, other Base Cabinets can also be specified at 32" high. Other features like Full Extension – Soft Close (F) Hinges, or Stainless (ADA) (8), Modern Straight (ADA) (N) Pull Styles are also suitable for people with reduced mobility. Refer to individual product page for details

understanding base cabinets (continued)

Following steps should be followed when planning with Base Cabinets.

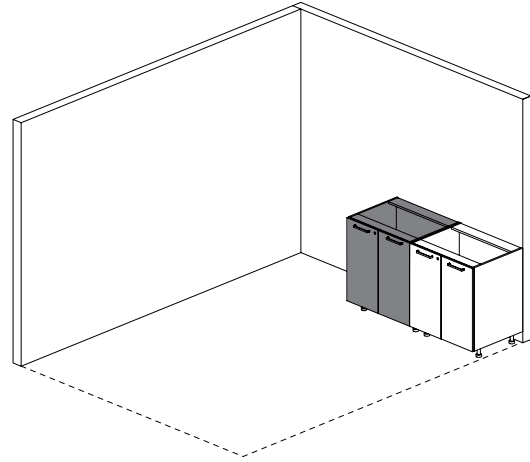
how to plan

- Exact wall dimensions should be confirmed before choosing the cabinet widths
- It is the responsibility of the installer to securely attach the base cabinet to the wall



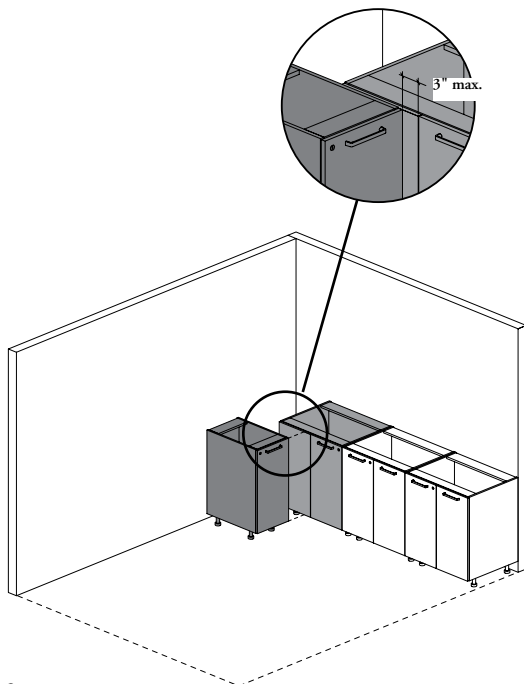
step 1

Place the first cabinet in the opposite corner



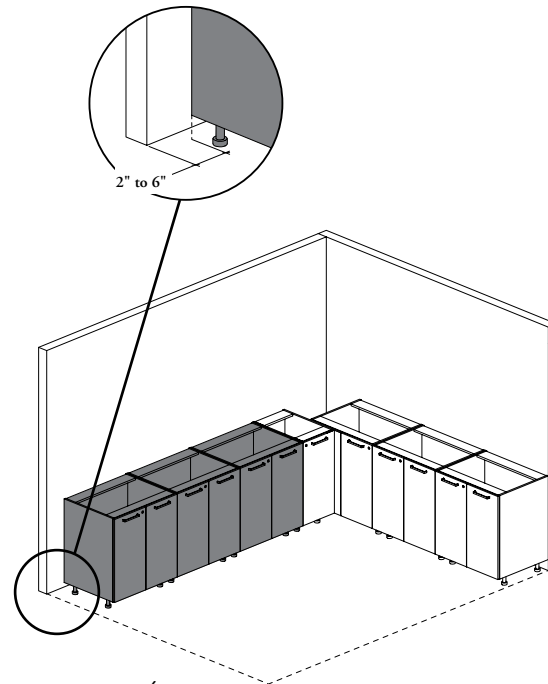
step 2

Arrange remaining cabinets along the wall



step 3

- Finish the row with a corner cabinet (left or right) and start the new row with an adjacent cabinet
- There are two types of corner cabinets: Base Cabinet for Standard Corner (CEBCAS) and Base Cabinet for Blind Corner (CEBCBS)
- **NOTE:** The cabinet (CEBCAS) is only compatible with other 24" deep base cabinets
- **NOTE:** When cabinet (CEBCBS) is used, the cabinet dimensions should be specified to ensure that no more than 3" of the fixed panel is exposed. Some base cabinets **cannot** be used to start a new row adjacent to a corner cabinet, see details

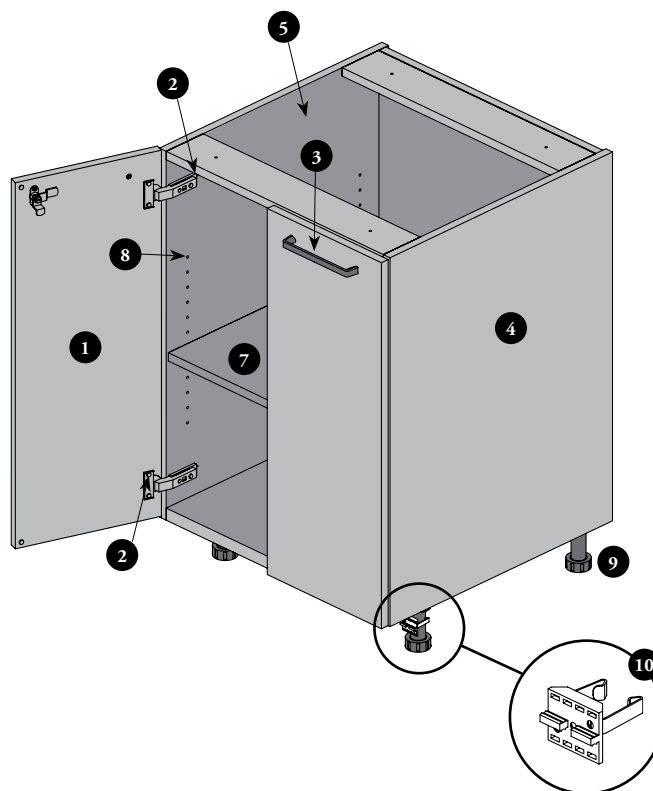


step 4

Fill the other wall with cabinets. When close to a wall, leave a gap between 2" and 6" at the end as installer can install the Side Filler to fit within wall conditions

base cabinets components

- 1 **Doors**
 - 12" to 21" wide cabinets come with one door
 - 24" to 42" wide cabinets come with two doors
 - All doors are lockable (locks and keys are optional)
- 2 **Hinges**
 - Standard – Soft Close (S) hinges allow doors to open up to 110°
 - Full Extension – Soft Close (F) hinges allow doors to open up to 155°
 - Come with hinges covers (for Standard – Soft Close (S) hinges only)
- 3 When specified, **Pulls** are included with doors. For more details, refer to Pull Styles on page 120
- 4 **Case and Dividers**
 - Case features a 11/16" laminate construction with a 1" thick base (except for Base Cabinets (CEBKRS and CEBKRO)
 - 42" and wider Base Cabinets come with one Central Vertical Divider (except for Base Cabinets – Sink (CEBKFS, CEBKRS and CEBKRO)
- 5 **Top construction:** Semi open construction, must be covered with a Countertop
- 6 **Pre-drill Holes and Hardware** are provided to connect cabinets together, ensuring a perfect installation
- 7 **Shelves**
 - Number varies depending on cabinet function
 - 24" and 29" deep base cabinets come with 24" deep 11/16" thick adjustable shelf(ves)
 - Come with Metal Shelf Supports that helps prevent shelf displacing
 - Holes for adjustable shelves at 1 1/4" intervals 8
 - Shelf for Cabinet (CEACS) can be ordered separately, see individual product pages for exceptions
- 9 **Metal Adjustable Feet**
 - Create a minimum gap of 4 1/8" below the cabinets and allows a 1 1/2" leveling range
 - Come with Clips for Toe Kick to install the **mandatory** Toe Kick – Front (CEATF) 10



base cabinets components (continued)

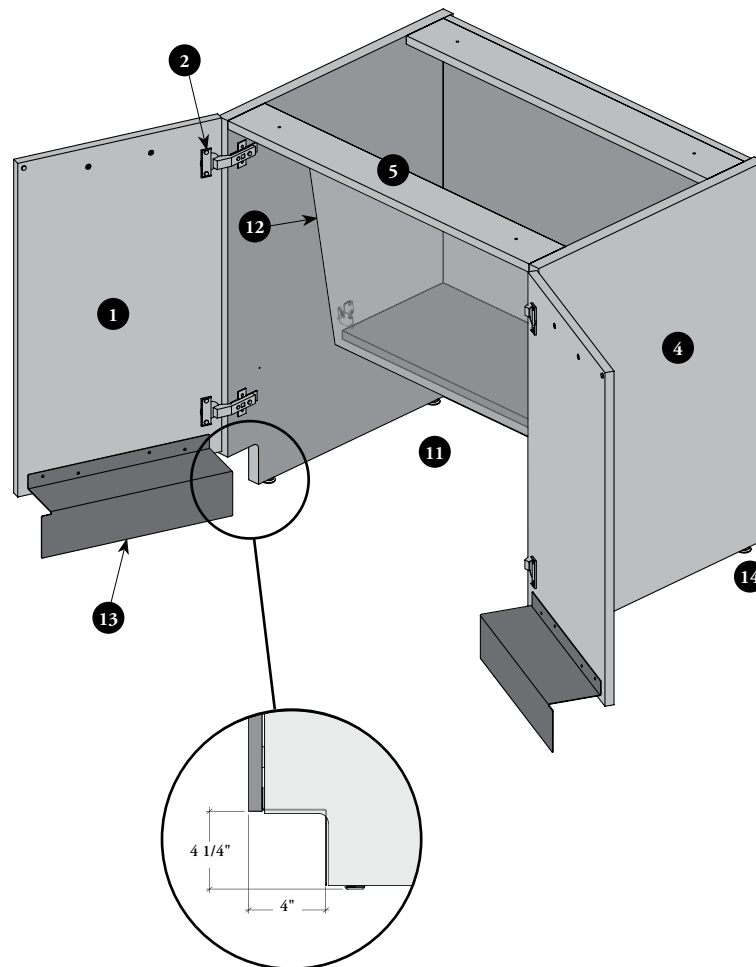
applicable with base cabinets for sink – people with reduced mobility only

- 11 ADA Compliant Clearance**

 - Allows a full front or lateral approach
 - To ensure maximum clearance, the Fixed False Front of the CEBKRO, **does not** align with any other cabinet front
- 12 Removable Panel** to access plumbing
- 13 Integrated Metal Toe Kick**

 - No other Toe Kick should be specified in front of this cabinet
- 14 Levelers for Base Cabinet for Sink – People with Reduced Mobility – Doors (CEBKRS)**

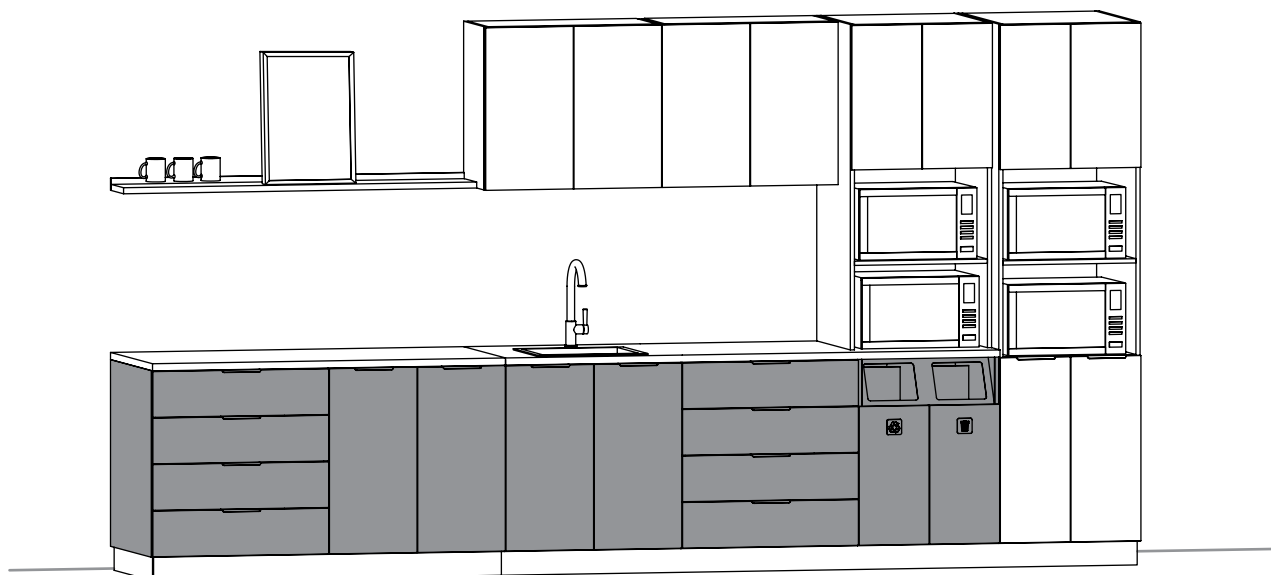
 - Create a 3/8" gap under the cabinet side when leveled to minimum height
 - Allow 3 1/2" total leveling range (1 1/16" within the ADA range)



base cabinets basics

Base Cabinets are available in many styles and dimensions for maximum configuration possibilities. They can be used under a Countertop or within an Island Structure to provide convenient open or closed storage.

- ◆ Base Cabinets overall depth and width are the actual dimensions of the finished product including fronts
- Available at 35" high for a standard application and at 32" high for people with reduced mobility. Some base cabinets are available in one height only (see products below)
- Must be covered by a Countertop
- Must be anchored to a wall for stability
- Toe Kick – Front (CEATF) is **mandatory** for base cabinet
- Toe Kick – Side (CEATS) is **mandatory** when side of base cabinet is exposed



Finishes

- **Case:** Source Laminate, Flintwood (No Cathedral). Case Finish is only available with Base Cabinets – Open (CEBO)
- **Shelves & Divider Finishes** match the Case Finishes
- **Door, Fixed Panel or Front:** Source Laminate, Foundation Laminate, Grade 2 Laminate, Flintwood (No Cathedral)
- **Edge Trim:** Edge Trim Colors and Not Applicable*
- **Drawer Bodies:** Standard – Soft-Close (S) and Filing Drawer Styles are finished in Black and Undermount – Soft-Close (U) Drawer Style is finished in White
- **Pull(s)** (Not available with pull styles 8 and Z): Foundation, Accent or Mica
- **Levelers** (only Base Cabinets (CEBKRS and CEBKRO): Chrome
- **Open Fascia:** Foundation, Accent or Mica
- **Toe Kick** (Base Cabinet for Sink – People with Reduced Mobility – Doors CEBKRS): Foundation, Mica or Coordinate Colors
- **Pass-Through Grommet:** Platinum
- **35L or 90L Waste/Recycling Bins:** Grey
- **Internal Metal Bin Support** (CEBWPX only): Recycled Paint
- **Locks & Keys:** Brushed Chrome
- * Not Applicable (NA) option is only available when Flintwood Front Finishes are specified

Finish Restrictions

Not all finishes are applicable with the Case, Door, Fixed Panel, Front & Edge Trim Finishes, refer to individual product pages for more details

For Pull Styles; see page 120
For Lock Chart; see page 122

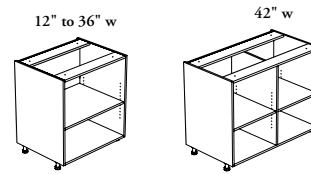
base cabinets basics (continued)

- Two Soft-Close Hinge Styles can be specified:
 - Full Extension – Soft-Close (F)
 - Standard – Soft-Close (S)
- Two Soft-Close Drawer Styles can be specified:
 - Standard – Soft-Close (S)
 - Undermount – Soft-Close (U)

- Three Door Swing Directions can be specified. The handedness is determined by the location of the hinge:
 - Door Swing – Left (L) (available for 12" to 21" wide cabinets)
 - Door Swing – Right (R) (available for 12" to 21" wide cabinets)
 - Door Swing – None (N) (available for 24" to 42" wide cabinets)
- Doors and Drawers are available with Pull Styles (1, 8, 9, E, F, M, S or Z)
- Three Key Styles can be specified:
 - Keyed Alike (K)
 - Keyed Randomly (R)
 - No Lock (N)

Base Cabinet – Open (CEBO)

- Depths: 24" and 29"
- Widths: 12" to 42" (3" increments)
- Heights: 32" and 35"
- Shelf(ves) are adjustable
- 42" wide cabinet comes with Vertical Central Divider



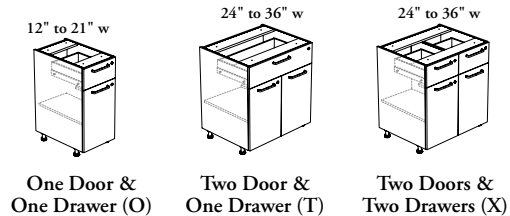
Base Cabinet – Door(s) (CEBS)

- Depths: 24" and 29"
- Widths: 12" to 42" (3" increments)
- Heights: 32" and 35"
- Shelf(ves) are adjustable
- 42" wide cabinet comes with Vertical Central Divider
- 32" high cabinet and Full Extension – Soft-Close (F) Hinges are suitable for People with Reduced Mobility



Base Cabinet – Door(s) and Drawer(s) (CEBDS)

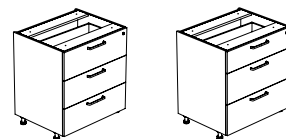
- Depths: 24" and 29"
- Widths: 12" to 36" (3" increments)
- Heights: 32" and 35"
- Door section comes with one adjustable shelf
- Drawers are **not** lockable when Undermount – Soft Close (U) Drawer Style is specified
- Three configurations are available:



One Door & One Drawer (O) Two Door & One Drawer (T) Two Doors & Two Drawers (X)

Base Cabinet – Three Drawers (CEBDT)

- Depths: 24" and 29"
- Widths: 12" to 36" (3" increments)
- Heights: 32" and 35"
- When locks are specified on Standard – Soft-Close (S) Drawer Style, a central locking system is provided
- When Undermount – Soft-Close (U) Drawer Style is specified, only No Lock (N) is available
- Two configurations are available:



Equal (E) One Small & Two Large (U)

Base Cabinet – Four Drawers (CEBDF)

- Depths: 24" and 29"
- Widths: 12" to 36" (3" increments)
- Heights: 32" and 35"
- When locks are specified on Standard – Soft-Close (S) Drawer Style, a central locking system is provided
- When Undermount – Soft-Close (U) Drawer Style is specified, only No Lock (N) is available



Equal (E)

base cabinets basics (continued)

Base Cabinet – Filing Drawers (CEBDLF)

- Depths: 24" and 29"
- Widths: 18" to 36" (3" increments)
- Heights: 32" and 35"
- Only Standard – Soft Close (S) Drawer Style is available
- When locks are specified, a central locking system is provided
- 15" Cross File Bars are included to be installed along the depth only. Accept legal or letter size paper



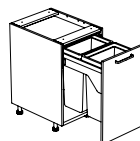
Base Cabinet – Microwave Section & Drawer (CEBMD)

- Depths: 24" and 29"
 - Widths: 24" to 36" (3" increments)
 - Heights: 32" and 35"
 - Internal width microwave section is determined by subtracting 1.4" from specified width
 - Two Cut-Out Styles are available:
 - With Pass-Through Grommet (W)
 - No Cut-Out (N) (Shown)
- refer to page 46 for more details



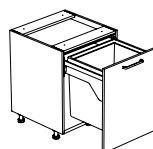
Base Cabinet – Pull-Out Recycling/Disposal Center – Dual Bins (CEBWPD)

- Depths: 24" and 29"
 - Width: 18"
 - Heights: 32" and 35"
 - Two Identifications are available:
 - Symbol Ready (S)
 - No Identification (N) (Shown)
- refer to page Accessories section for more details
- Only Standard – Soft Close (S) Pull-Out Style is available
 - Includes two 35L waste/recycling bins



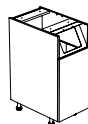
Base Cabinet – Pull-Out Recycling/Disposal Center – Single XL Bins (CEBWPIX)

- Depths: 24" and 29"
 - Width: 24"
 - Heights: 32" and 35"
 - Two Identifications are available:
 - Symbol Ready (S)
 - No Identification (N) (Shown)
- refer to page Accessories section for more details
- Only Standard – Soft Close (S) Pull-Out Style is available
 - Includes one 90L waste/recycling bin

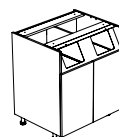


Base Cabinet – Open Recycling/Disposal Center (CEBWU)

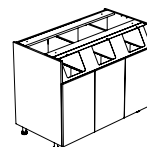
- Depths: 24" and 29"
 - Each door of the waste section is 12" or 15" wide depending on the width configuration
 - Height: 35"
 - Two Identifications are available:
 - Symbol Ready (S)
 - No Identification (N) (Shown)
- refer to page Accessories section for more details
- Only Standard – Soft Close (S) Hinge Style is available
 - Left (L) and Right (R) Door Swing Direction is only available with Single (S) Configuration
 - Includes 35L waste/recycling bins, refer to page 47 for more details
 - Three configurations are available:



Single (S)



Dual (D)



Triple (T)

base cabinets basics (continued)

Base Cabinet for Standard Corner – Door (CEBCAS)

- Depth: 24"
- Widths: 36" and 39"
- Heights: 32" and 35"
- Shelves are adjustable
- Only Standard (D) Hinge Style is available



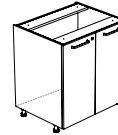
Base Cabinet for Blind Corner – Door(s) (CEBCBS)

- Depths: 24" and 29"
- Widths: 24" to 36" (3" increments)
- Heights: 32" and 35"
- Only Standard – Soft Close (S) Hinge Style is available
- The Fixed Panel is always half the width of the cabinet
- The handedness is determined by the Fixed Panel Position – Left (L) or (Right)
- Shelf is adjustable



Base Cabinet for Sink – Doors (CEBKRS)

- Depths: 24" and 29"
- Widths: 12" to 42" (3" increments)
- Heights: 32" and 35"
- When planning for people with reduced mobility, Base Cabinet for Sink (CEBKRS or CEBKRO) should be specified instead of this product



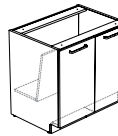
Base Cabinet for Sink – Doors & False Front (CEBKFS)

- Depths: 24" and 29"
- Widths: 24" to 42" (3" increments)
- Heights: 32" and 35"
- When planning for people with reduced mobility, Base Cabinet for Sink (CEBKRS or CEBKRO) should be specified instead of this product



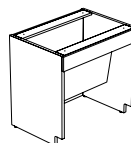
Base Cabinet for Sink – People with Reduced Mobility – Doors (CEBKRS)

- Depths: 24" and 29"
- Widths: 36" and 42"
- Height: 32"
- Only Full Extension – Soft Close (F) Hinge Style is available
- Toe Kick – Front (CEATF) and Toe Kick – Side (CEATS) are **not** required and **not** compatible with this product



Base Cabinet for Sink – People with Reduced Mobility – Open (CEBKRO)

- Depths: 24" and 29"
- Widths: 33", 36" and 42"
- Height: 32"
- Toe Kick – Front (CEATF) and Toe Kick – Side (CEATS) are **not** required and **not** compatible with this product

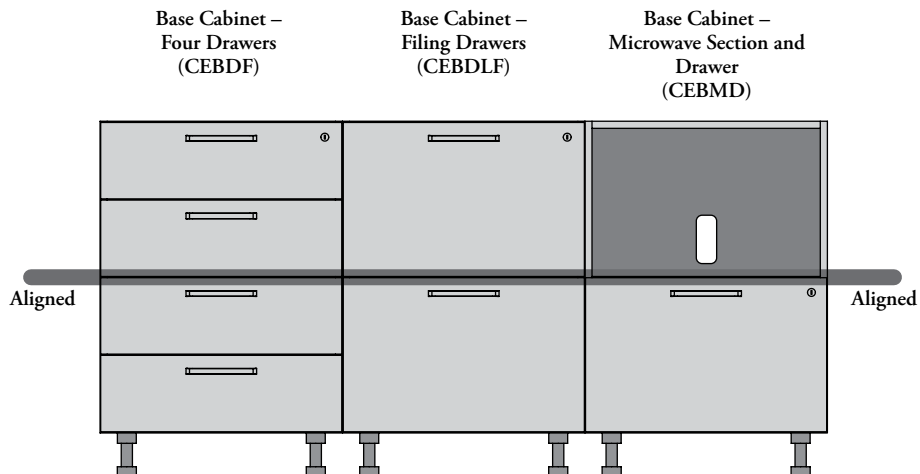
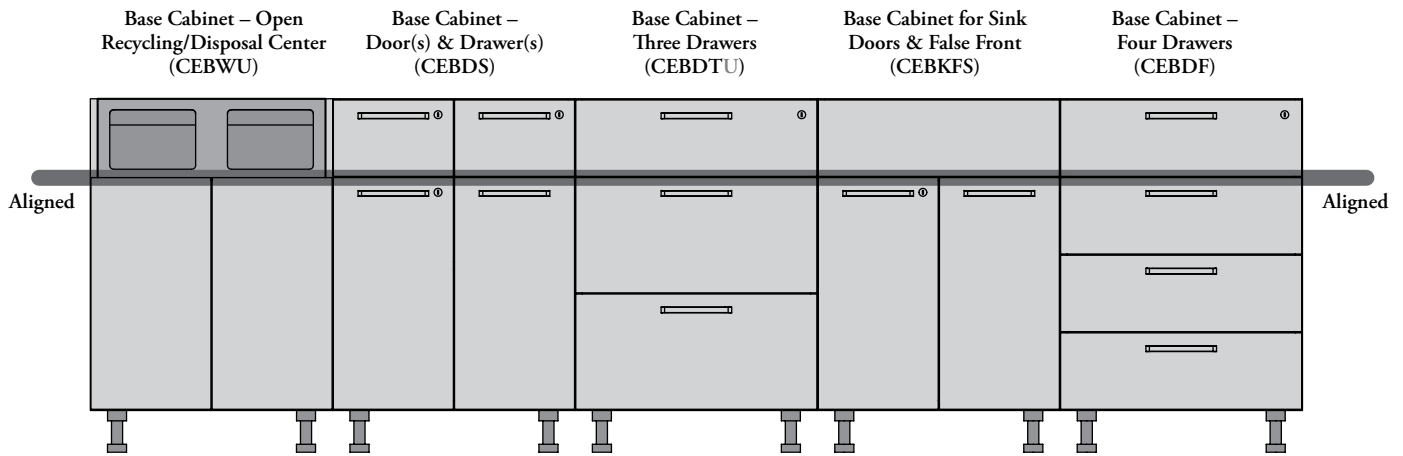


planning with base cabinets

The following should be considered when planning with Expansion Casework+ Base Cabinets.

front alignment overview

Expansion Casework+ Base Cabinets are designed so that a majority of cabinet configurations are vertically aligned

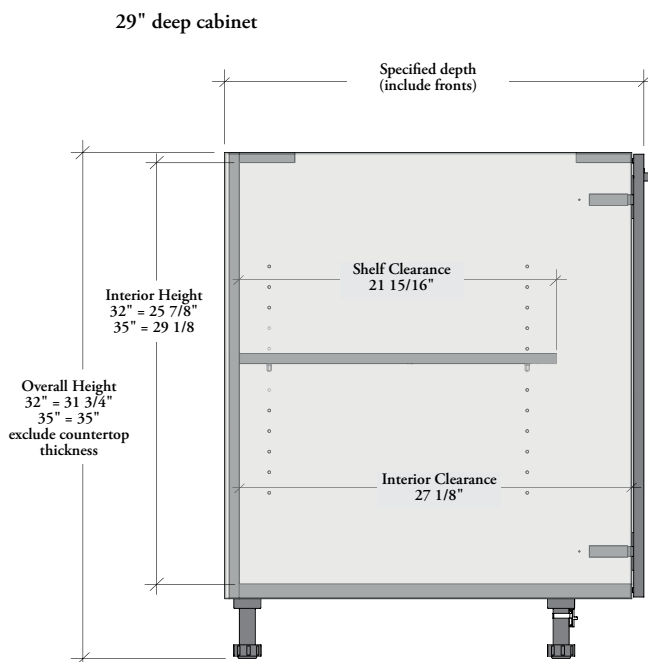
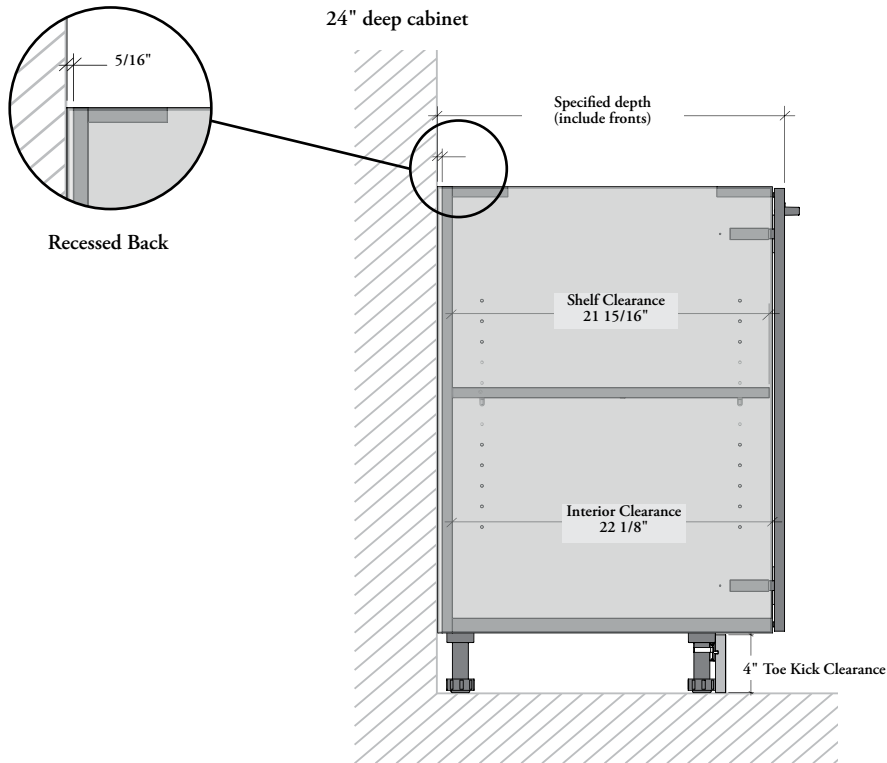


planning with base cabinets (continued)

The following outline the interior clearance available for all Base Cabinets.

interior clearance depth

For more details on interior clearance for microwave section, refer to page 128

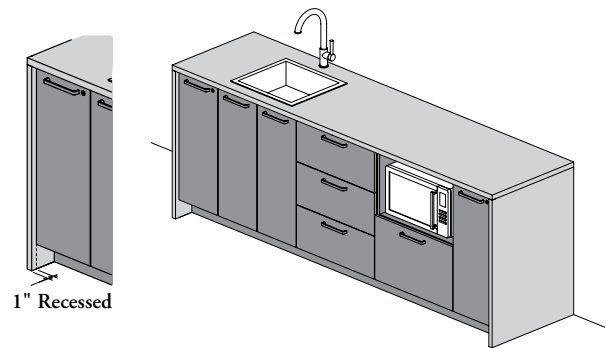
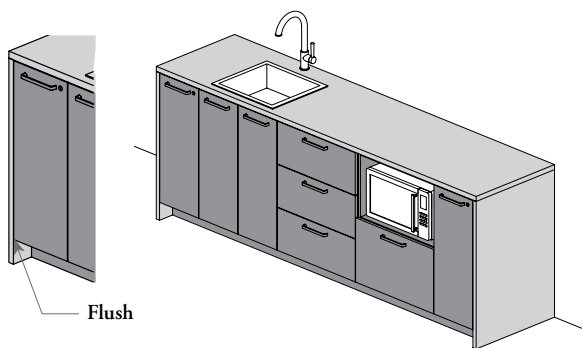


planning with base cabinets (continued)

The following outline the hinge and drawer styles available for all Base Cabinets with Door(s) and/or Drawers.

hinge styles

- Two Hinge Styles are available: **Standard – Soft Close (S)** and **Full Extension – Soft Close (F)**
- Using Full Extension – Soft-Close (F) hinges on a base cabinet that is recessed to an End Panel – Base Cabinet (CEAEB) (Shown) or an Island Structure with Gables (CEWIGO or CEWIGB) may result in reduced opening angle
- Therefore it is **not** recommended to specify a Base Cabinet for Sink – People with Reduced Mobility – Doors (CEBKRS) with a recessed look, refer to Countertops & Supports section for more details on flush and recessed look



drawer styles

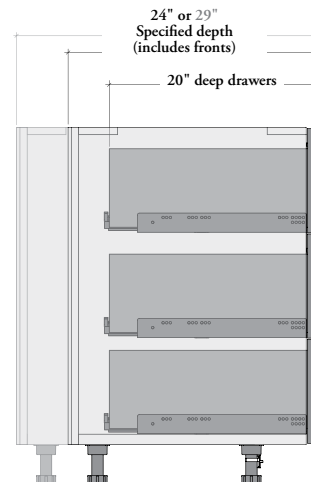
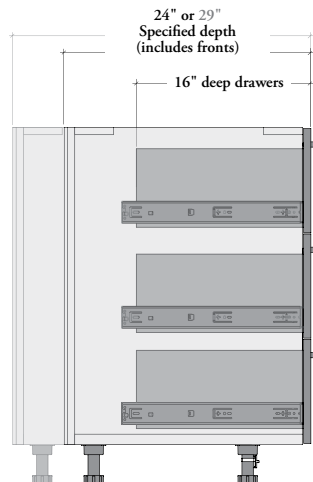
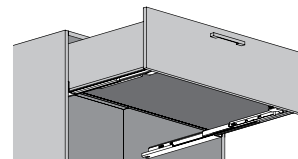
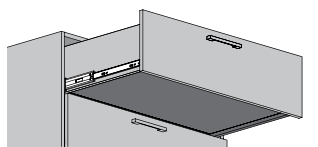
- Accessories such as Cutlery Tray (CEAOT) and Utility Box (CEAOB) can be specified separately, refer to Accessories section for more details
- Drawer styles available:

Standard – Soft Close (S)

Standard drawers feature soft close full extension exposed slides on a 16" deep white drawer body

Undermount – Soft Close (U)

Undermount drawers feature soft close full extension exposed slides on a 20" deep white drawer body

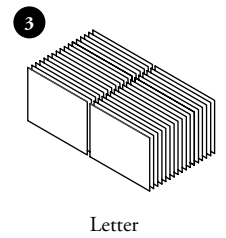
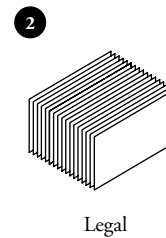
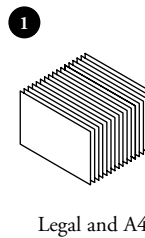
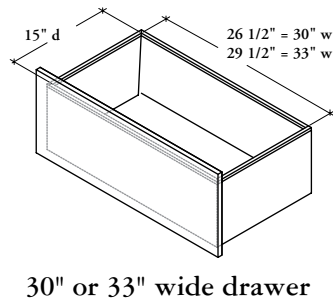
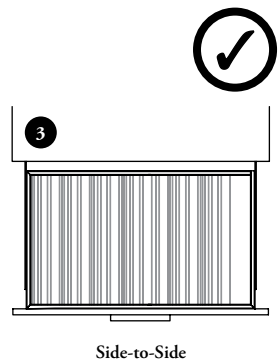
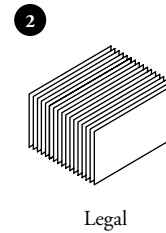
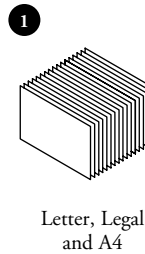
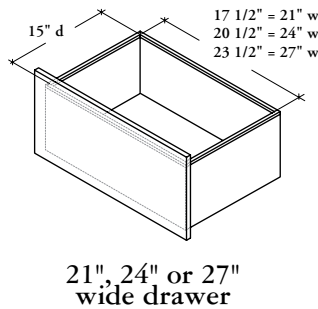
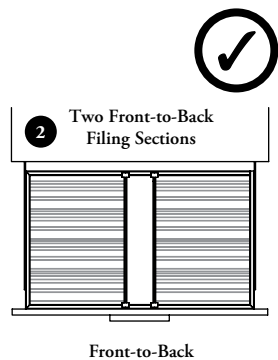
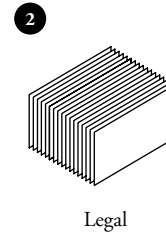
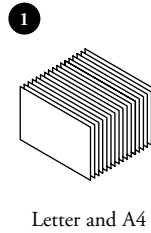
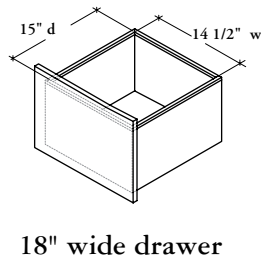
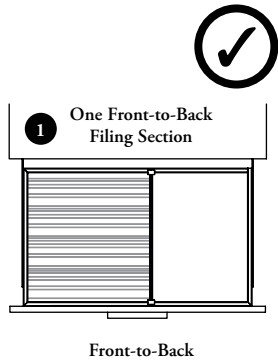


planning with base cabinets (continued)

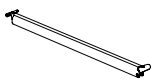
The following outlines the filing capability of Base Cabinet – Filing Drawers (CEBDLF).

filing capabilities

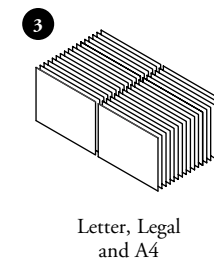
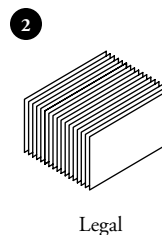
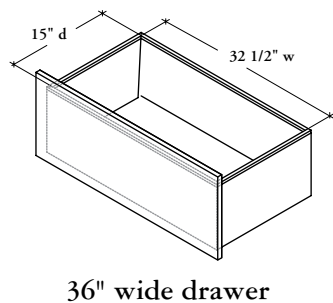
- Comes with 15" hanging file bar(s) that allows the following paper configuration
- The dimensions listed below are inside drawer
- Features standard drawers with soft close full extension exposed slides on a 16" deep black drawer body



15" Hanging File Bar(s)



The Letter or A4 paper size is allowed



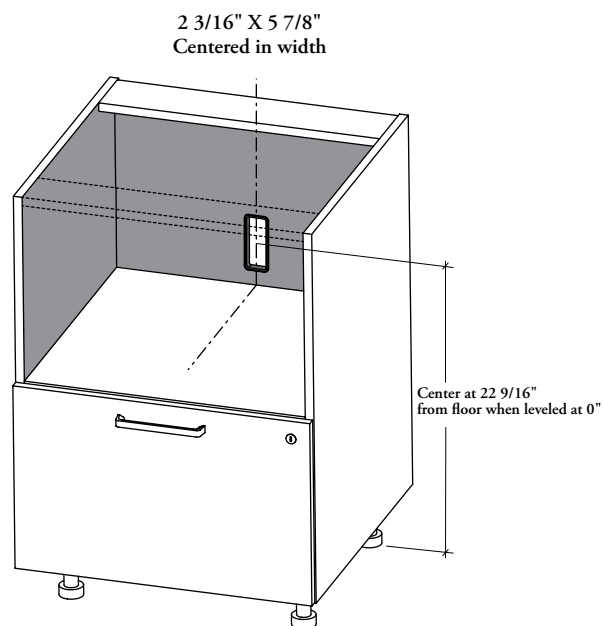
planning with base cabinets (continued)

- ⚠ It is the specifier's responsibility to ensure that the appliance clearance complies with the manufacturer recommendations
- Internal width microwave section is determined by subtracting 1.4" from specified width

cut-out for base cabinet – microwave section & drawer

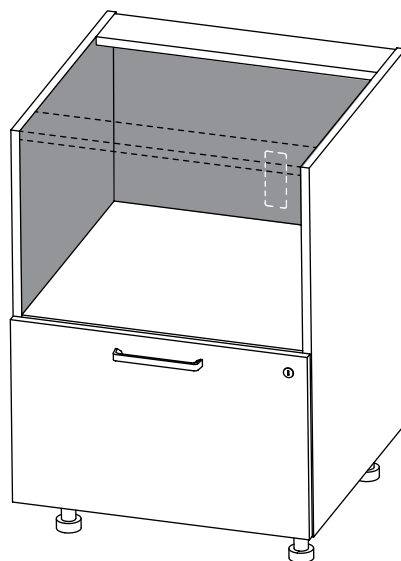
with pass-through grommet (W) option

This option features a factory made cut-out with a plastic Pass-Through Grommet. Wall outlets must be planned accordingly



no cut-out (N) option

This option comes without cut-out. Therefore an opening for wall outlets will have to be cut on-site at the required position and shape. A Pass-Through Grommet (CEAGR) can be specified separately if the on-site cut-out matches its shape

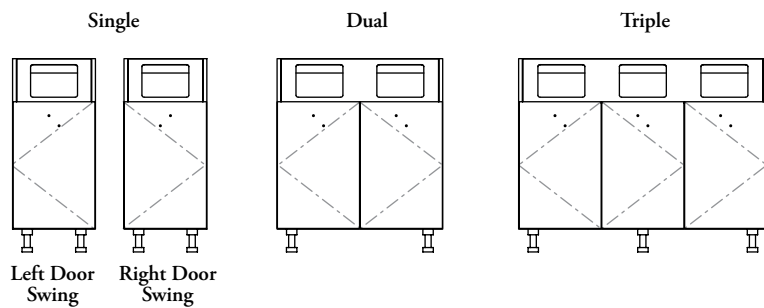


planning with base cabinets (continued)

Base Cabinet Recycling/Disposal Center is also available in a variety of widths and configurations.

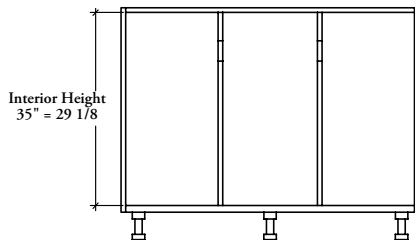
waste/recycling systems

- Provides enclosed storage space for Recycling/Waste Bins
- Each Recycling/Waste Bin has a capacity of 35 Liter
- All depths and doors widths provide the same waste capacity
- Each waste compartment can be identified by a Recycling/Waste Symbol (CEASR), sold separately. The door front comes with pre-drill holes, when Symbol Ready (S) is specified. For more details on waste identification, refer to page 119

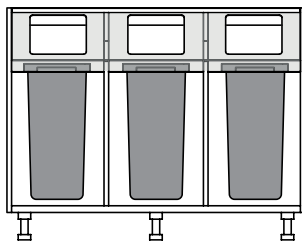


door openings

- Only Single Configuration (S) can be specified Left (L) or Right (R) Door Swing Direction
- Dual (D) and Triple (T) Configuration can be specified Not Applicable (N) Swing Direction only

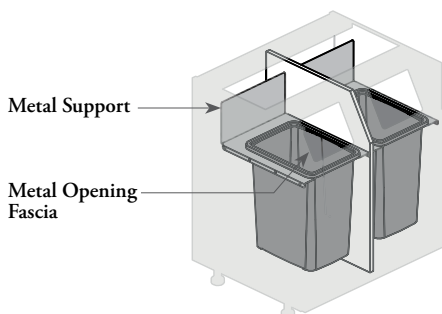


interior section dimension



interior configuration

- One Recycling/Waste Bin is included for each section



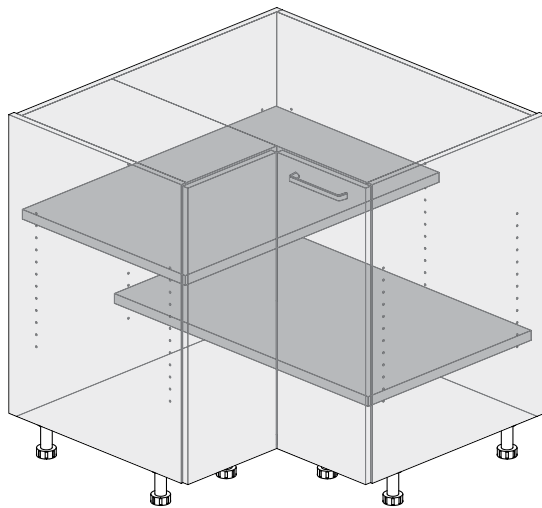
angled metal opening fascia & metal support

- A fixed Angled Metal Opening Fascia is included and protect the surrounding of the openings
- The waste bins rest on a metal support designed to prevent waste from entering the cabinet area

planning with base cabinets (continued)

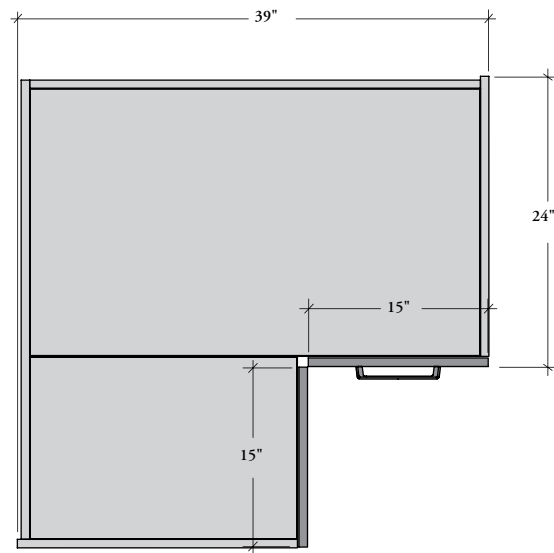
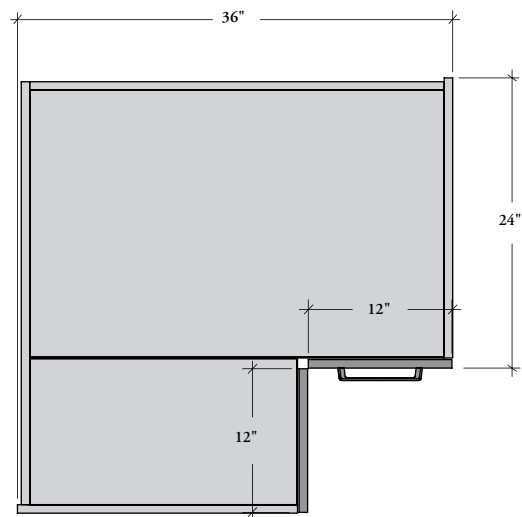
planning with base cabinet for standard corner

- Base Cabinet for Standard Corner allows optimal use of all space in the corner of a layout
 - Two panel doors allow full access to the interior space of the cabinet
 - For a better experience, this specific door is **not** soft close
- Only compatible with other 24" deep base cabinets



- Comes with two shelves, it is recommended to use one in each direction (left door swing shown) to maximise the internal space
- Adjustable Shelf(ves) are 24" deep
- No additional shelf can be ordered separately

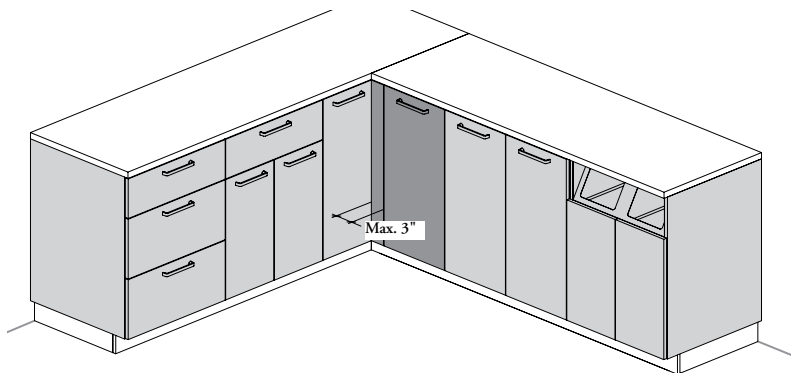
- The width of the cabinet will affect the dimension of the 2-panel door



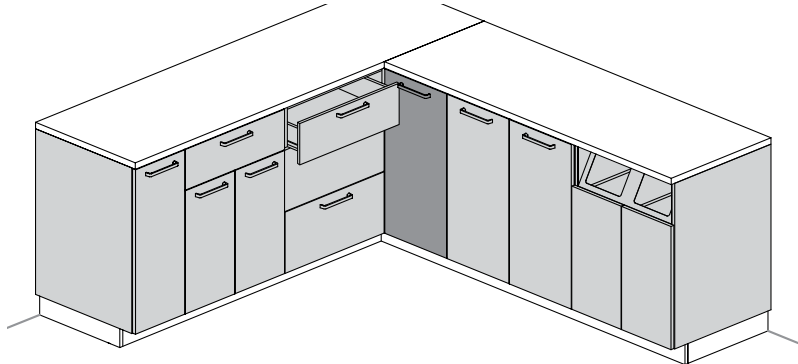
planning with base cabinets (continued)

planning with base cabinet for blind corner

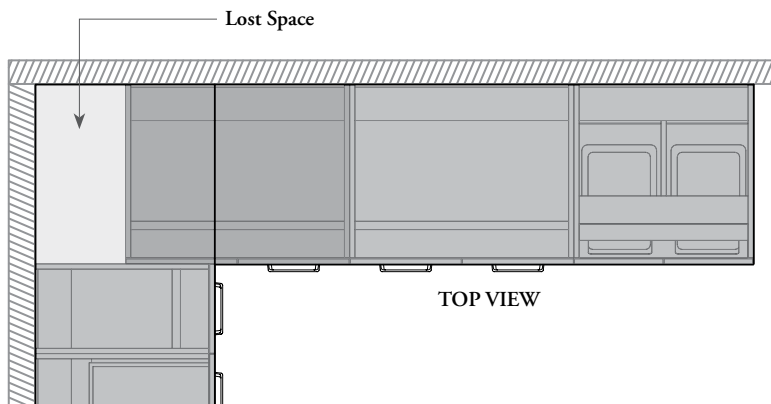
- Base Cabinet for Blind Corner (CEBCBS) allows to connect a perpendicular section to the main layout
 - This base cabinet is the only option for corner application in 29" depth countertop layout
 - Allows a certain flexibility in layout planning and installation to perfectly match the allocated space
- Comes with one Door and one Fixed Panel



- Choose the cabinet dimensions so that a maximum of 3" of the Fixed Panel is revealed. Therefore, only the following base cabinets are suitable for this application.
 - Base Cabinet – Open (CEBO)
 - Base Cabinets with Door(s) (CEBS, CEBWU, CEBKS or CEBKFS)



- **Not** all base cabinets can be placed in front of a Blind Corner Base Cabinet: Cabinets with drawers may cause interference, while ADA cabinets **do not** provide sufficient clearance.



- Using a Base Cabinet for Blind Corner may result in lost space in the corner, under the countertop. This situation is allowed and **does not** compromise the structural integrity or installation of the product