

# mounted storage & accessories

**Xpress**

## B \_ W P O

### Wall Panel for Overhead Cabinet

The wall panel for overhead cabinet is a wall secured support for overhead cabinets and accessories. It mounts onto the worksurface of a desk, a credenza, a secondary desk, a kneespace module or a mid-height credenza. It provides an aesthetic back panel and the possibility to add personal organizers and to manage power and data above the worksurface.

#### WHAT'S INCLUDED

1 panel, 1 cut-out with power bar and cover (as specified), 1 accessory rail (as specified), 1 wire cover management, mounting hardware for wall panel, and overhead cabinet.

#### WHAT'S EXCLUDED

Desk, Credenza, Secondary Desks, Kneespace Module, Mid-Height Credenza, Standard Overhead Cabinets, Cubic Overhead Cabinets, Light Shelf for Wall Panel (if applicable), Tackboard for Wall Panel, and Personal Organizers.

#### NOTES

Power and Data Under Worksurface (UC/UL/UR) are only available when (K or L) On Mid-Height or Low Secondary Desk Mounting Style is specified.

When the widths 24" or 30" are specified, only the option No Power and Data (NN) is available.

When the widths 36" or 42" are specified, only the options No Power and Data (NN) or Under/Over Worksurface – Center (UC/OC) are available.

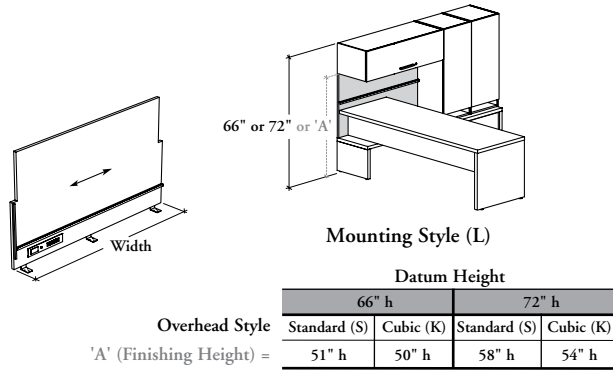
When the widths 48" or 54" on Mid-Height (K) are specified, only the options No Power and Data (NN) or Under/Over Worksurface – Center (UC/OC) are available.

When the widths 60" to 84" on Mid-Height (K) are specified, only the options No Power and Data (NN) or Under/Over Worksurface – Left or Right (OL/OR/UL/UR) are available.

When Accessory Style None (N) is specified, the Accessory Rail Finish option is **not** available.

Power Bar and Wire Cover are finished in Clear Anodized.

**Not all finishes** are available as Xpress, Please see Xpress catalogue and/or specification software for details.



#### PRODUCT OPTIONS

Mounting Style	Overhead Style	Accessory Style	Datum Height
<b>D</b> On 1" thick Standard Worksurface	<b>K</b> Cubic (16" or 18" high)	<b>N</b> None	66, 72
<b>K</b> On Mid-Height	<b>S</b> Standard (15" high) (Shown)	<b>R</b> Accessory Rail (Shown)	
<b>M</b> On 1 3/16" thick Standard Worksurface			
<b>X</b> On 1 9/16" thick Standard Worksurface			
<b>H</b> On High Secondary Desk (All Thicknesses)			
<b>L</b> On Low Secondary Desk (All Thicknesses) (Shown)			

#### SAMPLE ORDER CODE

<b>BH</b> <u>W</u> <b>P</b> <b>O</b>	<b>K</b>	<b>R</b>	<b>66</b>
--------------------------------------	----------	----------	-----------

#### PRODUCT OPTIONS CONTINUED

Width	Power and Data	Panel Finish	Accessory Rail Finish (If Applicable)
24, 30, 36, 42, 48, 54, 60, 66, 72, 78, 84	<b>NN</b> No Power and Data	Source Laminate	Foundation
	<b>OC</b> Over Worksurface – Center	Flintwood (No Cathedral)	Mica
	<b>OL</b> Over Worksurface – Left (Shown)		
	<b>OR</b> Over Worksurface – Right		
	<b>UC</b> Under Worksurface – Center		
	<b>UL</b> Under Worksurface – Left		
	<b>UR</b> Under Worksurface – Right		

#### SAMPLE ORDER CODE CONTINUED

<b>36</b>	<b>OL</b>	<b>XS</b>	<b>Q</b>
-----------	-----------	-----------	----------

See Pricing on the following page.

## B \_ W P O

### Wall Panel for Overhead Cabinet (Continued)

**DIMENSIONS**  
INCHES / MM

H	W
66 / 1676	24 / 610
66 / 1676	30 / 762
66 / 1676	36 / 914
66 / 1676	42 / 1067
66 / 1676	48 / 1219
66 / 1676	54 / 1372
66 / 1676	60 / 1524
66 / 1676	66 / 1676
66 / 1676	72 / 1829
66 / 1676	78 / 1981
66 / 1676	84 / 2134
72 / 1829	24 / 610
72 / 1829	30 / 762
72 / 1829	36 / 914
72 / 1829	42 / 1067
72 / 1829	48 / 1219
72 / 1829	54 / 1372
72 / 1829	60 / 1524
72 / 1829	66 / 1676
72 / 1829	72 / 1829
72 / 1829	78 / 1981
72 / 1829	84 / 2134

**PRICING**

MOUNTING STYLES (D, M, X, H)									
STANDARD OVERHEAD STYLE (S)									
NONE ACCESSORY RAIL (N)					WITH ACCESSORY RAIL (R)				
NO POWER AND DATA (NN)		WITH POWER AND DATA (OC, OL, OR)			NO POWER AND DATA (NN)		WITH POWER AND DATA (OC, OL, OR)		
PANEL FINISH									
		Source Laminate	Flintwood	Source Laminate	Flintwood	Source Laminate	Flintwood	Source Laminate	Flintwood
		225	1254	n/a	n/a	318	1346	n/a	n/a
		277	1337	n/a	n/a	376	1438	n/a	n/a
		328	1420	771	1859	440	1529	880	1969
		383	1522	822	1960	499	1637	941	2079
		419	1622	862	2061	545	1747	986	2185
		465	1720	907	2160	597	1854	1039	2293
		506	1803	948	2243	646	1944	1086	2381
		545	1886	986	2326	693	2033	1132	2472
		597	1970	1039	2409	752	2124	1195	2565
		650	2053	1089	2493	813	2213	1253	2654
		701	2136	1144	2576	872	2303	1312	2745
		249	1343	n/a	n/a	343	1438	n/a	n/a
		307	1437	n/a	n/a	408	1537	n/a	n/a
		365	1529	806	1969	474	1638	918	2080
		423	1621	864	2059	542	1739	983	2178
		465	1712	907	2152	590	1836	1031	2278
		516	1803	956	2243	648	1937	1087	2376
		564	1895	1005	2333	701	2035	1144	2474
		607	1986	1045	2427	752	2131	1195	2574
		661	2080	1105	2521	818	2235	1256	2674
		720	2172	1162	2611	884	2332	1326	2775
		777	2261	1217	2702	949	2431	1387	2872

MOUNTING STYLE (H)									
CUBIC OVERHEAD STYLE (K)									
NONE ACCESSORY RAIL (N)					WITH ACCESSORY RAIL (R)				
NO POWER AND DATA (NN)		WITH POWER AND DATA (OC, OL, OR)			NO POWER AND DATA (NN)		WITH POWER AND DATA (OC, OL, OR)		
PANEL FINISH									
		Source Laminate	Flintwood	Source Laminate	Flintwood	Source Laminate	Flintwood	Source Laminate	Flintwood
		328	1420	771	1859	440	1529	880	1971
		465	1720	907	2160	597	1854	1039	2293
		597	1970	1039	2409	752	2124	1195	2567
		365	1529	806	1971	474	1639	918	2081
		516	1803	956	2245	648	1937	1087	2377
		661	2080	1105	2523	818	2234	1256	2674

Pricing is continued on the following page.

# mounted storage & accessories

**Xpress**

## B \_ W P O

### Wall Panel for Overhead Cabinet (Continued)

**DIMENSIONS**  
INCHES / MM

**PRICING**

		<b>MOUNTING STYLES (K)</b>							
		<b>STANDARD OVERHEAD STYLE (S)</b>							
		<b>NONE ACCESSORY RAIL (N)</b>				<b>WITH ACCESSORY RAIL (R)</b>			
		<b>No Power and Data (NN)</b>		<b>With Power and Data (OC, OL, OR, UC, UL, UR)</b>		<b>No Power and Data (NN)</b>		<b>With Power and Data (OC, OL, OR, UC, UL, UR)</b>	
		<b>PANEL FINISH</b>							
<b>H</b>	<b>W</b>	<b>Source Laminate</b>	<b>Flintwood</b>	<b>Source Laminate</b>	<b>Flintwood</b>	<b>Source Laminate</b>	<b>Flintwood</b>	<b>Source Laminate</b>	<b>Flintwood</b>
66 / 1676	24 / 610	247	1312	n/a	n/a	340	1406	n/a	n/a
66 / 1676	30 / 762	303	1401	n/a	n/a	403	1505	n/a	n/a
66 / 1676	36 / 914	360	1492	802	1931	470	1602	911	2043
66 / 1676	42 / 1067	419	1591	858	2029	536	1708	977	2148
66 / 1676	48 / 1219	459	1691	902	2130	587	1816	1027	2254
66 / 1676	54 / 1372	509	1787	951	2227	642	1920	1083	2360
66 / 1676	60 / 1524	555	1877	996	2316	696	2017	1137	2456
66 / 1676	66 / 1676	598	1968	1039	2408	745	2115	1186	2555
66 / 1676	72 / 1829	655	2057	1097	2496	810	2211	1251	2652
66 / 1676	78 / 1981	712	2147	1151	2587	875	2309	1315	2749
66 / 1676	84 / 2134	768	2238	1212	2677	939	2405	1378	2847
72 / 1829	24 / 610	278	1423	n/a	n/a	373	1519	n/a	n/a
72 / 1829	30 / 762	337	1513	n/a	n/a	439	1615	n/a	n/a
72 / 1829	36 / 914	396	1603	837	2043	505	1711	946	2153
72 / 1829	42 / 1067	455	1692	895	2131	572	1811	1013	2250
72 / 1829	48 / 1219	505	1781	947	2222	630	1905	1071	2347
72 / 1829	54 / 1372	560	1870	1000	2310	693	2003	1132	2442
72 / 1829	60 / 1524	613	1969	1054	2409	752	2108	1193	2548
72 / 1829	66 / 1676	664	2067	1104	2508	811	2214	1252	2655
72 / 1829	72 / 1829	719	2167	1161	2608	876	2322	1314	2761
72 / 1829	78 / 1981	778	2265	1220	2705	941	2428	1382	2868
72 / 1829	84 / 2134	835	2363	1276	2803	1007	2534	1445	2973

		<b>MOUNTING STYLES (K)</b>							
		<b>CUBIC OVERHEAD STYLE (K)</b>							
		<b>NONE ACCESSORY RAIL (N)</b>				<b>WITH ACCESSORY RAIL (R)</b>			
		<b>No Power and Data (NN)</b>		<b>With Power and Data (OC, OL, OR, UC, UL, UR)</b>		<b>No Power and Data (NN)</b>		<b>With Power and Data (OC, OL, OR, UC, UL, UR)</b>	
		<b>PANEL FINISH</b>							
<b>H</b>	<b>W</b>	<b>Source Laminate</b>	<b>Flintwood</b>	<b>Source Laminate</b>	<b>Flintwood</b>	<b>Source Laminate</b>	<b>Flintwood</b>	<b>Source Laminate</b>	<b>Flintwood</b>
66 / 1676	36 / 914	360	1492	802	1932	470	1602	911	2044
66 / 1676	54 / 1372	509	1787	951	2227	642	1920	1083	2360
66 / 1676	72 / 1829	655	2057	1097	2497	810	2211	1251	2653
72 / 1829	36 / 914	396	1603	837	2044	505	1712	946	2154
72 / 1829	54 / 1372	560	1870	1000	2311	693	2003	1132	2442
72 / 1829	72 / 1829	719	2167	1161	2609	876	2321	1314	2761

**B \_ W P O**  
**Wall Panel for Overhead Cabinet**  
**(Continued)**

**DIMENSIONS**  
**INCHES / MM**

**PRICING**

		<b>MOUNTING STYLES (L)</b>							
		<b>STANDARD OVERHEAD STYLE (S)</b>							
		<b>NONE ACCESSORY RAIL (N)</b>				<b>WITH ACCESSORY RAIL (R)</b>			
		<b>No Power and Data (NN)</b>		<b>With Power and Data (OC, OL, OR, UC, UL, UR)</b>		<b>No Power and Data (NN)</b>		<b>With Power and Data (OC, OL, OR, UC, UL, UR)</b>	
<b>PANEL FINISH</b>		<b>Source Laminate</b>		<b>Source Laminate</b>		<b>Source Laminate</b>		<b>Source Laminate</b>	
<b>H</b>	<b>W</b>	<b>Flintwood</b>	<b>Flintwood</b>	<b>Flintwood</b>	<b>Flintwood</b>	<b>Flintwood</b>	<b>Flintwood</b>	<b>Flintwood</b>	<b>Flintwood</b>
66 / 1676	24 / 610	268	1370	n/a	n/a	362	1465	n/a	n/a
66 / 1676	30 / 762	328	1465	n/a	n/a	430	1572	n/a	n/a
66 / 1676	36 / 914	391	1564	833	2003	499	1674	941	2116
66 / 1676	42 / 1067	455	1660	893	2098	572	1778	1013	2217
66 / 1676	48 / 1219	499	1759	941	2199	628	1884	1067	2323
66 / 1676	54 / 1372	552	1854	995	2293	687	1985	1126	2426
66 / 1676	60 / 1524	604	1951	1044	2388	746	2090	1188	2530
66 / 1676	66 / 1676	651	2050	1092	2489	797	2197	1240	2637
66 / 1676	72 / 1829	713	2143	1155	2582	868	2298	1306	2739
66 / 1676	78 / 1981	774	2241	1213	2680	937	2405	1377	2843
66 / 1676	84 / 2134	835	2340	1279	2778	1006	2507	1444	2949
72 / 1829	24 / 610	306	1502	n/a	n/a	403	1600	n/a	n/a
72 / 1829	30 / 762	367	1589	n/a	n/a	469	1692	n/a	n/a
72 / 1829	36 / 914	426	1676	867	2117	536	1784	974	2226
72 / 1829	42 / 1067	486	1763	925	2203	602	1882	1043	2321
72 / 1829	48 / 1219	545	1850	986	2291	669	1974	1111	2415
72 / 1829	54 / 1372	604	1937	1044	2376	737	2068	1177	2507
72 / 1829	60 / 1524	662	2043	1102	2484	803	2181	1242	2622
72 / 1829	66 / 1676	720	2148	1162	2588	869	2296	1308	2736
72 / 1829	72 / 1829	777	2253	1217	2694	933	2408	1371	2847
72 / 1829	78 / 1981	836	2358	1278	2798	998	2523	1438	2961
72 / 1829	84 / 2134	893	2465	1335	2903	1064	2637	1502	3074

		<b>MOUNTING STYLES (L)</b>							
		<b>CUBIC OVERHEAD STYLE (K)</b>							
		<b>NONE ACCESSORY RAIL (N)</b>				<b>WITH ACCESSORY RAIL (R)</b>			
		<b>No Power and Data (NN)</b>		<b>With Power and Data (OC, OL, OR, UC, UL, UR)</b>		<b>No Power and Data (NN)</b>		<b>With Power and Data (OC, OL, OR, UC, UL, UR)</b>	
<b>PANEL FINISH</b>		<b>Source Laminate</b>		<b>Source Laminate</b>		<b>Source Laminate</b>		<b>Source Laminate</b>	
<b>H</b>	<b>W</b>	<b>Flintwood</b>	<b>Flintwood</b>	<b>Flintwood</b>	<b>Flintwood</b>	<b>Flintwood</b>	<b>Flintwood</b>	<b>Flintwood</b>	<b>Flintwood</b>
66 / 1676	36 / 914	391	1564	833	2004	499	1674	941	2116
66 / 1676	54 / 1372	552	1854	995	2293	687	1985	1126	2426
66 / 1676	72 / 1829	713	2143	1155	2584	868	2298	1306	2739
72 / 1829	36 / 914	426	1676	867	2117	536	1784	974	2226
72 / 1829	54 / 1372	604	1937	1044	2376	737	2068	1177	2507
72 / 1829	72 / 1829	777	2253	1217	2694	933	2408	1371	2847