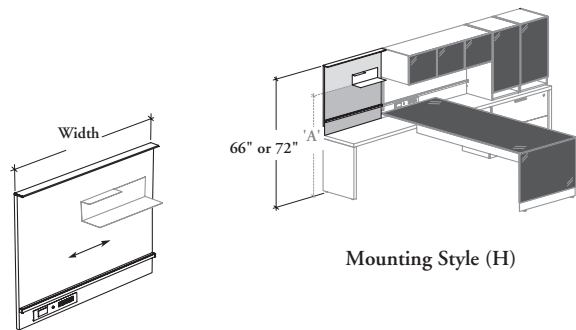


mounted storage & accessories

Xpress

B _ W P M

Wall Panel for Metal Accessory Shelves



Mounting Style (H)

Panel Datum Height	
66" h	72" h
Cubic Overhead (K)	Cubic Overhead (K)
50" h	54" h

Top Shelf Datum Height:

'A' Finishing Height (bottom shelf) =

The Wall Panel mounts onto the worksurface of a desk, credenza or secondary desk and leans on a building wall to increase stability. It provides an aesthetical back panel that can support a variety of accessories.

WHAT'S INCLUDED

1 panel, 1 cut-out with power bar and cover (as specified), 1 accessory rail (as specified), 1 finishing top rail and mounting hardware.

WHAT'S EXCLUDED

Desk, Credenza, Secondary Desks, Light Shelf for Wall Panel (if applicable), Linear LED Light, Tackboard for Wall Panel, and Personal Organizers.

NOTES

When the width 30" are specified, only the option None Power and Data (NN) is available.

When the widths 36" or 42" are specified, only the options None Power and Data (NN) or Under/Over Worksurface – Center (UC/OC) are available.

Power and Data Under Worksurface (UC/UL/UR) are only available when (L) On Low Secondary Desk Mounting Style is specified.

Power Bar and Wire Cover are finished in Clear Anodized.

The 33" wide Metal Accessory Shelf **cannot** be used with 30" wide Wall Panel.

The Metal Accessory Shelves can be installed centered (C) on 30", 36" and 42" wide Wall Panel only.

Not all finishes are available as Xpress, Please see Xpress catalogue and/or specification software for details.

PRODUCT OPTIONS

Mounting Style	Configuration	Datum Height	Width
H On High Secondary Desk (All Thicknesses) (Shown)	SA Top Shelf and Accessory Rail (Shown)	66, 72	30, 36, 42, 48, 54, 60, 66, 72, 78, 84
L On Low Secondary Desk (All Thicknesses)	SS Two Shelves		

SAMPLE ORDER CODE

BL WPM	SS	72	72
---------------	-----------	-----------	-----------

636

PRODUCT OPTIONS CONTINUED

Shelf Position	Power and Data	Panel Finish	Top and Accessory Rail Finish (If Applicable)
C Center	NN No Power and Data	Source Laminate	Foundation
L Left	OC Over Worksurface – Center	Flintwood (No Cathedral)	Mica
R Right (Shown)	OL Over Worksurface – Left (Shown)		
	OR Over Worksurface – Right		
	UC Under Worksurface – Center		
	UL Under Worksurface – Left		
	UR Under Worksurface – Right		

SAMPLE ORDER CODE CONTINUED

R	UL	3D	7
----------	-----------	-----------	----------

See Pricing on the following page.

B _ W P M

Wall Panel for Metal Accessory Shelves (Continued)

DIMENSIONS
INCHES / MM

H	W
66 / 1676	30 / 762
66 / 1676	36 / 914
66 / 1676	42 / 1067
66 / 1676	48 / 1219
66 / 1676	54 / 1372
66 / 1676	60 / 1524
66 / 1676	66 / 1676
66 / 1676	72 / 1829
66 / 1676	78 / 1981
66 / 1676	84 / 2134
72 / 1829	30 / 762
72 / 1829	36 / 914
72 / 1829	42 / 1067
72 / 1829	48 / 1219
72 / 1829	54 / 1372
72 / 1829	60 / 1524
72 / 1829	66 / 1676
72 / 1829	72 / 1829
72 / 1829	78 / 1981
72 / 1829	84 / 2134

MOUNTING STYLE (H)							
TOP SHELF & ACCESSORY RAIL (SA)				TWO SHELVES (SS)			
NO POWER AND DATA (NN)		POWER AND DATA (OC, OL, OR)		NO POWER AND DATA (NN)		POWER AND DATA (OC, OL, OR)	
PANEL FINISH							
Source Laminate	Flintwood	Source Laminate	Flintwood	Source Laminate	Flintwood	Source Laminate	Flintwood
617	1052	n/a	n/a	537	970	n/a	n/a
676	1209	1020	1553	591	1126	933	1466
737	1312	1076	1655	645	1222	989	1562
784	1407	1127	1748	688	1310	1030	1652
844	1466	1187	1809	742	1364	1086	1707
904	n/a	1246	n/a	795	n/a	1136	n/a
953	n/a	1293	n/a	838	n/a	1179	n/a
1011	n/a	1354	n/a	893	n/a	1233	n/a
1070	n/a	1412	n/a	945	n/a	1287	n/a
1129	n/a	1471	n/a	1000	n/a	1342	n/a
639	1143	n/a	n/a	560	1064	n/a	n/a
706	1294	1047	1637	620	1209	962	1553
770	1363	1111	1706	678	1271	1022	1613
823	1464	1165	1806	727	1368	1068	1710
888	1532	1230	1874	785	1430	1128	1771
956	n/a	1298	n/a	845	n/a	1188	n/a
1022	n/a	1363	n/a	905	n/a	1247	n/a
1089	n/a	1430	n/a	965	n/a	1306	n/a
1155	n/a	1496	n/a	1025	n/a	1366	n/a
1222	n/a	1562	n/a	1086	n/a	1426	n/a

MOUNTING STYLE (L)							
TOP SHELF & ACCESSORY RAIL (SA)				TWO SHELVES (SS)			
NO POWER AND DATA (NN)		POWER AND DATA (OC, OL, OR, UC, UL, UR)		NO POWER AND DATA (NN)		POWER AND DATA (OC, OL, OR, UC, UL, UR)	
PANEL FINISH							
Source Laminate	Flintwood	Source Laminate	Flintwood	Source Laminate	Flintwood	Source Laminate	Flintwood
631	1220	n/a	n/a	553	1139	n/a	n/a
715	1337	1058	1679	630	1251	971	1593
801	1411	1140	1752	709	1319	1053	1661
872	1519	1214	1861	776	1421	1120	1764
958	1593	1300	1935	853	1491	1196	1834
1041	n/a	1383	n/a	933	n/a	1273	n/a
1127	n/a	1468	n/a	1010	n/a	1351	n/a
1212	n/a	1553	n/a	1089	n/a	1430	n/a
1296	n/a	1637	n/a	1166	n/a	1508	n/a
1381	n/a	1722	n/a	1245	n/a	1586	n/a
653	1220	n/a	n/a	576	1235	n/a	n/a
745	1337	1087	1679	658	1335	1000	1676
835	1411	1175	1751	743	1368	1085	1710
910	1519	1252	1861	814	1479	1156	1820
1001	1593	1343	1935	899	1556	1240	1898
1093	n/a	1434	n/a	981	n/a	1323	n/a
1185	n/a	1526	n/a	1066	n/a	1407	n/a
1277	n/a	1617	n/a	1150	n/a	1491	n/a
1367	n/a	1709	n/a	1232	n/a	1574	n/a
1459	n/a	1801	n/a	1317	n/a	1657	n/a