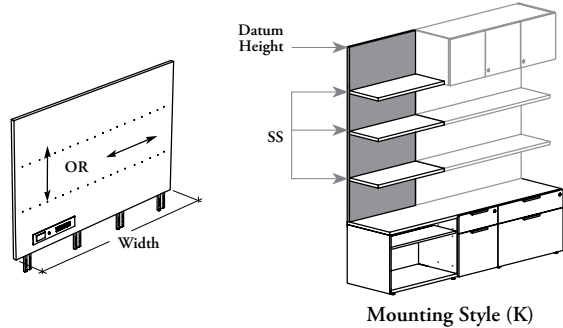


mounted storage & accessories

Xpress

B_WOO 

Wall Panel with Solid Shelves



This wall panel bring a distinctive architectural element to the office desk. It is designed to support solid shelves and is compatible with tackboard or markerboard for enhanced functionality. Whether mounted onto a desk, credenza, secondary desk, mid-height storage, workwall kneespace module or workwall credenza, the wall panel is easily installed requiring securement at only two wall locations.

WHAT'S INCLUDED

1 panel, 1 cut-out with power bar and cover (as specified) and mounting hardware.

WHAT'S EXCLUDED

Desk, Credenza, Secondary Desk, Mid-Height Storage, Workwall Storage, Tackboard for Wall Panel, Solid Shelf for Wall Panel (BAWSS) and Solid Display Shelf for Wall Panel (BAWDS).

NOTES

When Vertical (V) Grain Direction is specified, the 66" to 90" widths are **not** available.

Not all product options are available as Xpress, Please see Xpress catalogue and/or specification software for details.

PRODUCT OPTIONS

Mounting Style	Grain Direction	Datum Height	Width	Configuration	Power and Data	Panel Finish
K On Mid-Height	V Vertical	66, 72, 81	24, 30, 36, 42, 48, 54, 60, 66, 72, 78, 84, 90	BN Bottom Shelf	OC Over Worksurface – Center	Source Laminate
M On 1 3/16" thick Standard Worksurface	H Horizontal			BT Bottom and Top Shelves	OL Over Worksurface – Left (Shown)	Flintwood (No Cathedral)
X On 1 9/16" thick Standard Worksurface				MN Middle Shelf	OR Over Worksurface – Right	
H On High Secondary Desk (All Thicknesses)				MT Middle and Top Shelves	NN No Power and Data	
L On Low Secondary Desk (All Thicknesses) (Shown)				NT Top Shelf		
				SS Bottom, Middle and Top Shelves (Shown)		

SAMPLE ORDER CODE

BLWOO	V	72	54	BN	OC	XS
--------------	----------	-----------	-----------	-----------	-----------	-----------

DIMENSIONS INCHES / MM

H	W
66 / 1676	24 / 610
66 / 1676	30 / 762
66 / 1676	36 / 914
66 / 1676	42 / 1067
66 / 1676	48 / 1219
66 / 1676	54 / 1372
66 / 1676	60 / 1524
66 / 1676	66 / 1676
66 / 1676	72 / 1829
66 / 1676	78 / 1981
66 / 1676	84 / 2134

PRICING

MOUNTING STYLES (M or X)

TOP SHELF (NT)

NO POWER AND DATA (NN)

POWER AND DATA (OC)

POWER AND DATA (OL, OR)

PANEL FINISH

Source Laminate	Flintwood
409	711
446	807
484	903
521	999
593	1140
630	1236
668	1332
712	1447
750	1543
787	1639
825	1735

Source Laminate	Flintwood
n/a	n/a
n/a	n/a
926	1345
963	1441
1035	1582
n/a	n/a
n/a	n/a
n/a	n/a
n/a	n/a
n/a	n/a
n/a	n/a
n/a	n/a

Source Laminate	Flintwood
n/a	n/a
n/a	n/a
n/a	n/a
n/a	n/a
n/a	n/a
1072	1678
1110	1774
1154	1889
1192	1985
1229	2081
1267	2177

Pricing is continued on the following page.



Wall Panel with Solid Shelves (Continued)

DIMENSIONS INCHES / MM

H	W
72 / 1829	24 / 610
72 / 1829	30 / 762
72 / 1829	36 / 914
72 / 1829	42 / 1067
72 / 1829	48 / 1219
72 / 1829	54 / 1372
72 / 1829	60 / 1524
72 / 1829	66 / 1676
72 / 1829	72 / 1829
72 / 1829	78 / 1981
72 / 1829	84 / 2134
81 / 2057	24 / 610
81 / 2057	30 / 762
81 / 2057	36 / 914
81 / 2057	42 / 1067
81 / 2057	48 / 1219
81 / 2057	54 / 1372
81 / 2057	60 / 1524
81 / 2057	66 / 1676
81 / 2057	72 / 1829
81 / 2057	78 / 1981
81 / 2057	84 / 2134

PRICING

MOUNTING STYLES (M or X)							
TOP SHELF (NT)							
NO POWER AND DATA (NN)				POWER AND DATA (OC)		POWER AND DATA (OL, OR)	
PANEL FINISH							
		Source Laminate	Flintwood	Source Laminate	Flintwood	Source Laminate	Flintwood
		432	766	n/a	n/a	n/a	n/a
		474	875	n/a	n/a	n/a	n/a
		516	984	958	1426	n/a	n/a
		558	1093	1000	1535	n/a	n/a
		634	1248	1076	1690	n/a	n/a
		676	1358	n/a	n/a	1118	1800
		718	1467	n/a	n/a	1160	1909
		767	1595	n/a	n/a	1209	2037
		809	1704	n/a	n/a	1251	2146
		851	1813	n/a	n/a	1293	2255
		893	1923	n/a	n/a	1335	2365
		455	874	n/a	n/a	n/a	n/a
		501	1005	n/a	n/a	n/a	n/a
		548	1136	990	1578	n/a	n/a
		594	1267	1036	1709	n/a	n/a
		675	1443	1117	1885	n/a	n/a
		721	n/a	n/a	n/a	1163	n/a
		768	n/a	n/a	n/a	1210	n/a
		822	n/a	n/a	n/a	1264	n/a
		868	n/a	n/a	n/a	1310	n/a
		915	n/a	n/a	n/a	1357	n/a
		961	n/a	n/a	n/a	1403	n/a

BOTTOM SHELF (BN) or BOTTOM & TOP SHELVES (BT)							
NO POWER AND DATA (NN)				POWER AND DATA (OC)		POWER AND DATA (OL, OR)	
PANEL FINISH							
		Source Laminate	Flintwood	Source Laminate	Flintwood	Source Laminate	Flintwood
		432	766	n/a	n/a	n/a	n/a
		474	875	n/a	n/a	n/a	n/a
		516	984	958	1426	n/a	n/a
		558	1093	1000	1535	n/a	n/a
		634	1248	1076	1690	n/a	n/a
		676	1358	n/a	n/a	1118	1800
		718	1467	n/a	n/a	1160	1909
		767	1595	n/a	n/a	1209	2037
		809	1704	n/a	n/a	1251	2146
		851	1813	n/a	n/a	1293	2255
		893	1923	n/a	n/a	1335	2365
		455	874	n/a	n/a	n/a	n/a
		501	1005	n/a	n/a	n/a	n/a
		548	1136	990	1578	n/a	n/a
		594	1267	1036	1709	n/a	n/a
		675	1443	1117	1885	n/a	n/a
		721	n/a	n/a	n/a	1163	n/a
		768	n/a	n/a	n/a	1210	n/a
		822	n/a	n/a	n/a	1264	n/a
		868	n/a	n/a	n/a	1310	n/a
		915	n/a	n/a	n/a	1357	n/a
		961	n/a	n/a	n/a	1403	n/a

Pricing is continued on the following page.

mounted storage & accessories

Xpress

B_WOO 

Wall Panel with Solid Shelves (Continued)

DIMENSIONS
INCHES / MM

PRICING

MOUNTING STYLE (H)		MOUNTING STYLE (H)							
BOTTOM SHELF (BN), BOTTOM & TOP SHELVES (BT) or TOP SHELF (NT)		BOTTOM SHELF (BN), BOTTOM & TOP SHELVES (BT) or TOP SHELF (NT)							
NO POWER AND DATA (NN)		POWER AND DATA (OC)				POWER AND DATA (OL, OR)			
PANEL FINISH		PANEL FINISH							
H	W	Source Laminate	Flintwood	Source Laminate	Flintwood	Source Laminate	Flintwood	Source Laminate	Flintwood
66 / 1676	24 / 610	409	711	n/a	n/a	n/a	n/a	n/a	n/a
66 / 1676	30 / 762	446	807	n/a	n/a	n/a	n/a	n/a	n/a
66 / 1676	36 / 914	484	903	926	1345	n/a	n/a	n/a	n/a
66 / 1676	42 / 1067	521	999	963	1441	n/a	n/a	n/a	n/a
66 / 1676	48 / 1219	593	1140	1035	1582	n/a	n/a	n/a	n/a
66 / 1676	54 / 1372	630	1236	n/a	n/a	1072	1678	n/a	n/a
66 / 1676	60 / 1524	668	1332	n/a	n/a	1110	1774	n/a	n/a
66 / 1676	66 / 1676	712	1447	n/a	n/a	1154	1889	n/a	n/a
66 / 1676	72 / 1829	750	1543	n/a	n/a	1192	1985	n/a	n/a
66 / 1676	78 / 1981	787	1639	n/a	n/a	1229	2081	n/a	n/a
66 / 1676	84 / 2134	825	1735	n/a	n/a	1267	2177	n/a	n/a
66 / 1676	90 / 2286	862	1831	n/a	n/a	1304	2273	n/a	n/a
72 / 1829	24 / 610	432	766	n/a	n/a	n/a	n/a	n/a	n/a
72 / 1829	30 / 762	474	875	n/a	n/a	n/a	n/a	n/a	n/a
72 / 1829	36 / 914	516	984	958	1426	n/a	n/a	n/a	n/a
72 / 1829	42 / 1067	558	1093	1000	1535	n/a	n/a	n/a	n/a
72 / 1829	48 / 1219	634	1248	1076	1690	n/a	n/a	n/a	n/a
72 / 1829	54 / 1372	676	1358	n/a	n/a	1118	1800	n/a	n/a
72 / 1829	60 / 1524	718	1467	n/a	n/a	1160	1909	n/a	n/a
72 / 1829	66 / 1676	767	1595	n/a	n/a	1209	2037	n/a	n/a
72 / 1829	72 / 1829	809	1704	n/a	n/a	1251	2146	n/a	n/a
72 / 1829	78 / 1981	851	1813	n/a	n/a	1293	2255	n/a	n/a
72 / 1829	84 / 2134	893	1923	n/a	n/a	1335	2365	n/a	n/a
72 / 1829	90 / 2286	935	2032	n/a	n/a	1377	2474	n/a	n/a
81 / 2057	24 / 610	455	874	n/a	n/a	n/a	n/a	n/a	n/a
81 / 2057	30 / 762	501	1005	n/a	n/a	n/a	n/a	n/a	n/a
81 / 2057	36 / 914	548	1136	990	1578	n/a	n/a	n/a	n/a
81 / 2057	42 / 1067	594	1267	1036	1709	n/a	n/a	n/a	n/a
81 / 2057	48 / 1219	675	1443	1117	1885	n/a	n/a	n/a	n/a
81 / 2057	54 / 1372	721	n/a	n/a	n/a	1163	n/a	n/a	n/a
81 / 2057	60 / 1524	768	n/a	n/a	n/a	1210	n/a	n/a	n/a
81 / 2057	66 / 1676	822	n/a	n/a	n/a	1264	n/a	n/a	n/a
81 / 2057	72 / 1829	868	n/a	n/a	n/a	1310	n/a	n/a	n/a
81 / 2057	78 / 1981	915	n/a	n/a	n/a	1357	n/a	n/a	n/a
81 / 2057	84 / 2134	961	n/a	n/a	n/a	1403	n/a	n/a	n/a
81 / 2057	90 / 2286	1008	n/a	n/a	n/a	1450	n/a	n/a	n/a

Pricing is continued on the following page.



Wall Panel with Solid Shelves (Continued)

DIMENSIONS INCHES / MM

H	W
81 / 2057	24 / 610
81 / 2057	30 / 762
81 / 2057	36 / 914
81 / 2057	42 / 1067
81 / 2057	48 / 1219
81 / 2057	54 / 1372
81 / 2057	60 / 1524
81 / 2057	66 / 1676
81 / 2057	72 / 1829
81 / 2057	78 / 1981
81 / 2057	84 / 2134
81 / 2057	90 / 2286

PRICING

MOUNTING STYLE (H) (CONTINUED)							
MIDDLE SHELF (MN), MIDDLE & TOP SHELVES (MT) or BOTTOM, MIDDLE & TOP SHELVES (SS)							
NO POWER AND DATA (NN)		POWER AND DATA (OC)		POWER AND DATA (OL, OR)		PANEL FINISH	
		Source Laminate	Flintwood	Source Laminate	Flintwood	Source Laminate	Flintwood
		455	874	n/a	n/a	n/a	n/a
		501	1005	n/a	n/a	n/a	n/a
		548	1136	990	1578	n/a	n/a
		594	1267	1036	1709	n/a	n/a
		675	1443	1117	1885	n/a	n/a
		721	n/a	n/a	n/a	1163	n/a
		768	n/a	n/a	n/a	1210	n/a
		822	n/a	n/a	n/a	1264	n/a
		868	n/a	n/a	n/a	1310	n/a
		915	n/a	n/a	n/a	1357	n/a
		961	n/a	n/a	n/a	1403	n/a
		1008	n/a	n/a	n/a	1450	n/a

MOUNTING STYLE (K)							
BOTTOM SHELF (BN), BOTTOM & TOP SHELVES (BT) or TOP SHELF (NT)							
NO POWER AND DATA (NN)		POWER AND DATA (OC)		POWER AND DATA (OL, OR)		PANEL FINISH	
		Source Laminate	Flintwood	Source Laminate	Flintwood	Source Laminate	Flintwood
		434	753	n/a	n/a	n/a	n/a
		472	860	n/a	n/a	n/a	n/a
		511	967	953	1409	n/a	n/a
		548	1075	990	1517	n/a	n/a
		621	1227	1063	1669	n/a	n/a
		659	1334	n/a	n/a	1101	1776
		698	1441	n/a	n/a	1140	1883
		743	1567	n/a	n/a	1185	2009
		781	1674	n/a	n/a	1223	2116
		819	1782	n/a	n/a	1261	2224
		858	1889	n/a	n/a	1300	2331
		896	1996	n/a	n/a	1338	2438
		455	823	n/a	n/a	n/a	n/a
		498	944	n/a	n/a	n/a	n/a
		541	1065	983	1507	n/a	n/a
		584	1187	1026	1629	n/a	n/a
		661	1354	1103	1796	n/a	n/a
		704	n/a	n/a	n/a	1146	n/a
		747	n/a	n/a	n/a	1189	n/a
		797	n/a	n/a	n/a	1239	n/a
		840	n/a	n/a	n/a	1282	n/a
		883	n/a	n/a	n/a	1325	n/a
		926	n/a	n/a	n/a	1368	n/a
		969	n/a	n/a	n/a	1411	n/a

Pricing is continued on the following page.

mounted storage & accessories

Xpress

B_WOO 

Wall Panel with Solid Shelves (Continued)

DIMENSIONS
INCHES / MM

PRICING

MOUNTING STYLE (K) (CONTINUED)

BOTTOM SHELF (BN), BOTTOM & TOP SHELVES (BT) or TOP SHELF (NT)

NO POWER AND DATA (NN)

POWER AND DATA (OC)

POWER AND DATA (OL, OR)

PANEL FINISH

H	W	Source		Source		Source	
		Laminate	Flintwood	Laminate	Flintwood	Laminate	Flintwood
81 / 2057	24 / 610	475	892	n/a	n/a	n/a	n/a
81 / 2057	30 / 762	523	1028	n/a	n/a	n/a	n/a
81 / 2057	36 / 914	571	1163	1013	1605	n/a	n/a
81 / 2057	42 / 1067	619	1299	1061	1741	n/a	n/a
81 / 2057	48 / 1219	700	1482	1142	1924	n/a	n/a
81 / 2057	54 / 1372	748	n/a	n/a	n/a	1190	n/a
81 / 2057	60 / 1524	796	n/a	n/a	n/a	1238	n/a
81 / 2057	66 / 1676	851	n/a	n/a	n/a	1293	n/a
81 / 2057	72 / 1829	898	n/a	n/a	n/a	1340	n/a
81 / 2057	78 / 1981	946	n/a	n/a	n/a	1388	n/a
81 / 2057	84 / 2134	994	n/a	n/a	n/a	1436	n/a
81 / 2057	90 / 2286	1041	n/a	n/a	n/a	1483	n/a

MIDDLE SHELF (MN), MIDDLE & TOP SHELVES (MT) or BOTTOM, MIDDLE & TOP SHELVES (SS)

NO POWER AND DATA (NN)

POWER AND DATA (OC)

POWER AND DATA (OL, OR)

PANEL FINISH

H	W	Source		Source		Source	
		Laminate	Flintwood	Laminate	Flintwood	Laminate	Flintwood
81 / 2057	24 / 610	475	892	n/a	n/a	n/a	n/a
81 / 2057	30 / 762	523	1028	n/a	n/a	n/a	n/a
81 / 2057	36 / 914	571	1163	1013	1605	n/a	n/a
81 / 2057	42 / 1067	619	1299	1061	1741	n/a	n/a
81 / 2057	48 / 1219	700	1482	1142	1924	n/a	n/a
81 / 2057	54 / 1372	748	n/a	n/a	n/a	1190	n/a
81 / 2057	60 / 1524	796	n/a	n/a	n/a	1238	n/a
81 / 2057	66 / 1676	851	n/a	n/a	n/a	1293	n/a
81 / 2057	72 / 1829	898	n/a	n/a	n/a	1340	n/a
81 / 2057	78 / 1981	946	n/a	n/a	n/a	1388	n/a
81 / 2057	84 / 2134	994	n/a	n/a	n/a	1436	n/a
81 / 2057	90 / 2286	1041	n/a	n/a	n/a	1483	n/a

MOUNTING STYLE (L)

BOTTOM SHELF (BN), BOTTOM & TOP SHELVES (BT) or TOP SHELF (NT)

NO POWER AND DATA (NN)

POWER AND DATA (OC)

POWER AND DATA (OL, OR)

PANEL FINISH

H	W	Source		Source		Source	
		Laminate	Flintwood	Laminate	Flintwood	Laminate	Flintwood
66 / 1676	24 / 610	459	795	n/a	n/a	n/a	n/a
66 / 1676	30 / 762	498	913	n/a	n/a	n/a	n/a
66 / 1676	36 / 914	537	1031	979	1473	n/a	n/a
66 / 1676	42 / 1067	575	1150	1017	1592	n/a	n/a
66 / 1676	48 / 1219	649	1313	1091	1755	n/a	n/a
66 / 1676	54 / 1372	688	1432	n/a	n/a	1130	1874
66 / 1676	60 / 1524	727	1550	n/a	n/a	1169	1992
66 / 1676	66 / 1676	773	1687	n/a	n/a	1215	2129
66 / 1676	72 / 1829	812	1805	n/a	n/a	1254	2247
66 / 1676	78 / 1981	851	1924	n/a	n/a	1293	2366
66 / 1676	84 / 2134	890	2042	n/a	n/a	1332	2484

Pricing is continued on the following page.



**Wall Panel with Solid Shelves
(Continued)**

**DIMENSIONS
INCHES / MM**

PRICING

MOUNTING STYLE (L) (CONTINUED)

BOTTOM SHELF (BN), BOTTOM & TOP SHELVES (BT) or TOP SHELF (NT)

NO POWER AND DATA (NN)

POWER AND DATA (OC)

POWER AND DATA (OL, OR)

PANEL FINISH

H	W	Source		Source		Source	
		Laminate	Flintwood	Laminate	Flintwood	Laminate	Flintwood
72 / 1829	24 / 610	477	879	n/a	n/a	n/a	n/a
72 / 1829	30 / 762	521	1013	n/a	n/a	n/a	n/a
72 / 1829	36 / 914	565	1146	1007	1588	n/a	n/a
72 / 1829	42 / 1067	609	1280	1051	1722	n/a	n/a
72 / 1829	48 / 1219	687	1460	1129	1902	n/a	n/a
72 / 1829	54 / 1372	731	n/a	n/a	n/a	1173	n/a
72 / 1829	60 / 1524	775	n/a	n/a	n/a	1217	n/a
72 / 1829	66 / 1676	826	n/a	n/a	n/a	1268	n/a
72 / 1829	72 / 1829	870	n/a	n/a	n/a	1312	n/a
72 / 1829	78 / 1981	914	n/a	n/a	n/a	1356	n/a
72 / 1829	84 / 2134	958	n/a	n/a	n/a	1400	n/a