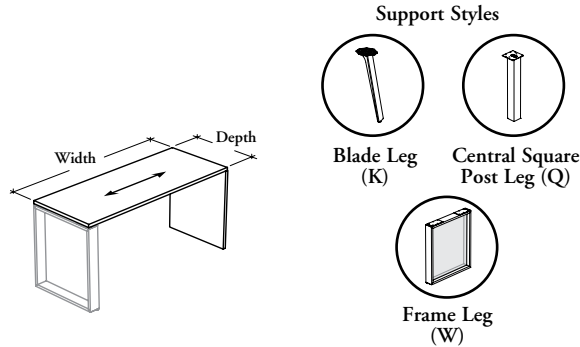


multi-level workstations

Xpress

B _ M D S

Primary Peninsula Desk for U-Shape Configuration



This desk must only be used in conjunction with the Overlapping Bridge (B_MBH or B_MBL) or Overlapping Bridge with End Support (B_MBG) to create a "U" configuration. It would be unstable if used alone.

WHAT'S INCLUDED

1 worksurface, 1 laminate full gable with levelers, 1 rectangular cut-out with grommet (as specified), 1 cable tray (as specified), and mounting hardware.

WHAT'S EXCLUDED

Support, Suspended Modesty Panel, Overlapping Bridge – High or Low Secondary Desk, Overlapping Bridge with End Support – Low Secondary Desk and Power Tray.

NOTES

When End of Worksurface – Rectangular Grommet (E) option is specified, a cable tray is also included.

Blade Leg (K) support style is **not** available with 24" deep worksurface.

The 1 9/16" (X) thickness is **not** available in all Foundation Laminate and Edge Trim colors. Refer to the finish page of the Application Guide for details.

Not all finishes are available as Xpress, Please see Xpress catalogue and/or specification software for details.

PRODUCT OPTIONS

Worksurface Thickness	Depth	Width	Grommet Option	Support Style (Not Included)
D 1"	24, 30, 36	60, 66, 72, 78, 84, 90	E End of Worksurface – Rectangular N No Grommet (Shown)	K Blade Leg
M 1 3/16"				Q Central Square Post Leg
X 1 9/16"				W Frame Leg (Shown)

SAMPLE ORDER CODE

BD	M	D	S	24	72	E	Q
-----------	----------	----------	----------	-----------	-----------	----------	----------

PRODUCT OPTIONS CONTINUED

Worksurface Finish	Edge Trim Style	Edge Trim Finish	Gable Finish	Grommet Finish (If Applicable)
Source Laminate	6 Straight Trim	Edge Trim Colors (for trim style 6)	Source Laminate	Foundation
Foundation Laminate	9 Flintwood Flat Trim		Flintwood (No Cathedral)	Mica
Flintwood (No Cathedral)				

SAMPLE ORDER CODE CONTINUED

LE	6	BL	LE	7
-----------	----------	-----------	-----------	----------

See Pricing on the following page.

B _ M D S

Primary Peninsula Desk for U-Shape Configuration (Continued)

DIMENSIONS
INCHES / MM

PRICING

		1" (D)			1 3/16" (M)			1 9/16" (X)		
		SOURCE LAMINATE	FOUNDATION LAMINATE	FLINTWOOD	SOURCE LAMINATE	FOUNDATION LAMINATE	FLINTWOOD	SOURCE LAMINATE	FOUNDATION LAMINATE	FLINTWOOD
		GABLE FINISH								
D	W	Source Laminate	Source Laminate	Flintwood	Source Laminate	Flintwood	Source Laminate	Flintwood	Source Laminate	Flintwood
24 / 610	60 / 1524	554	832	1352	1502	2022	884	1404	1609	2129
24 / 610	66 / 1676	594	891	1411	1581	2101	950	1470	1695	2215
24 / 610	72 / 1829	633	954	1474	1661	2181	1015	1535	1779	2299
24 / 610	78 / 1981	n/a	1013	1533	1775	2295	1082	1602	1898	2418
24 / 610	84 / 2134	n/a	1070	1590	1855	2375	1152	1672	1980	2500
24 / 610	90 / 2286	n/a	1130	1650	1924	2444	1215	1735	2068	2588
30 / 762	60 / 1524	686	871	1459	1481	2069	1078	1666	1666	2254
30 / 762	66 / 1676	731	928	1516	1585	2173	1152	1740	1783	2371
30 / 762	72 / 1829	776	1005	1593	1677	2265	1220	1808	1868	2456
30 / 762	78 / 1981	n/a	1058	1646	1777	2365	1291	1879	1982	2570
30 / 762	84 / 2134	n/a	1115	1703	1846	2434	1377	1965	2081	2669
30 / 762	90 / 2286	n/a	1220	1808	1965	2553	1469	2057	2185	2773
36 / 914	60 / 1524	n/a	1014	1795	1677	2458	1257	2038	1819	2600
36 / 914	66 / 1676	n/a	1080	1861	1792	2573	1343	2124	1944	2725
36 / 914	72 / 1829	n/a	1168	1949	1898	2679	1429	2210	2032	2813
36 / 914	78 / 1981	n/a	1238	2019	1978	2759	1514	2295	2122	2903
36 / 914	84 / 2134	n/a	1300	2081	2059	2840	1612	2393	2274	3055
36 / 914	90 / 2286	n/a	1427	2208	2203	2984	1720	2501	2407	3188