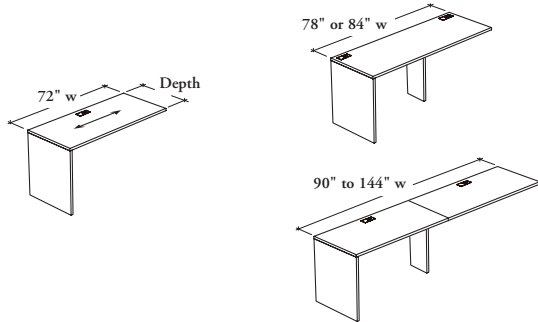


reception

Xpress

B_CWL

Main Worksurface with One Gable – Reception Desk



This worksurface must only be used in conjunction with a Reception Desk – L-Shaped Module (B_CRL) to create a "L" configuration. It would be unstable if used alone.

WHAT'S INCLUDED

1 worksurface piece or 2 worksurface pieces (if 90" to 144" width is specified), 1 full gable with levelers, 1 half gable with levelers (if 78" to 144" width is specified), 1 or 2 (if 90" to 144" width is specified) cable trays, rectangular grommet (as specified), and mounting hardware.

WHAT'S EXCLUDED

Reception Desk – L-Shaped Module and Cross Grain Return – Reception Desk.

NOTES

The 1 9/16" (X) thickness is not available in all Foundation Laminate and Edge Trim colors. Refer to the finish page of the Application Guide for details.

Centered grommet option (C) is **not** available with 78" or 84" worksurface widths.

Not all finishes are available as Xpress, Please see Xpress catalogue and/or specification software for details.

PRODUCT OPTIONS

Worksurface Thickness	Depth	Front Width	Grommet Option	Configuration	Worksurface Finish	Edge Trim Style	Edge Trim Finish	Gable Finish	Grommet Finish
D 1"	20, 24, 30	072, 078, 084, 090, 096, 102, 108, 114, 120, 126, 132, 138, 144	C Centered (Shown)	L Left (Shown)	Source Laminate	6 Straight Trim 9 Flintwood Flat Trim	Edge Trim Colors (for trim style 6)	Source Laminate Flintwood (No Cathedral)	AC Clear Anodized Coordinate B Soft Gris Q Storm White V Very White X Anthracite 6 Crisp Grey 7 Platinum
M 1 3/16"			B Both Ends	R Right	Foundation Laminate				
X 1 9/16"					Flintwood (No Cathedral)				

SAMPLE ORDER CODE

BMCWL	30	078	B	L	2D	6	4D	3D	AC
--------------	-----------	------------	----------	----------	-----------	----------	-----------	-----------	-----------

DIMENSIONS – INCHES FOR MM X BY 25.4

		1" (D)		1 3/16" (M)				1 9/16" (X)			
		SOURCE LAMINATE		FOUNDATION LAMINATE		FLINTWOOD		FOUNDATION LAMINATE		FLINTWOOD	
		GABLE FINISH		GABLE FINISH		GABLE FINISH		GABLE FINISH		GABLE FINISH	
D	Fw	Source Laminate	Source Laminate	Flintwood	Source Laminate	Flintwood	Source Laminate	Flintwood	Source Laminate	Flintwood	
20	72	463	658	1061	963	1366	732	1131	1081	1480	
20	78	598	797	1431	1113	1747	888	1517	1242	1871	
20	84	621	831	1465	1155	1789	931	1560	1289	1918	
20	90	646	870	1504	1196	1830	972	1601	1338	1967	
20	96	669	908	1542	1263	1897	1015	1644	1411	2040	
20	102	692	992	1626	1493	2127	1060	1689	1648	2277	
20	108	716	1033	1667	1533	2167	1101	1730	1695	2324	
20	114	741	1072	1706	1600	2234	1145	1774	1768	2397	
20	120	765	1112	1746	1667	2301	1189	1818	1840	2469	
20	126	788	1156	1790	1708	2342	1231	1860	1892	2521	
20	132	811	1202	1836	1749	2383	1274	1903	1938	2567	
20	138	836	1225	1859	1803	2437	1317	1946	1999	2628	
20	144	861	1250	1884	1859	2493	1360	1989	2060	2689	

Pricing is continued on the following page.

B _ C W L

Main Worksurface with One Gable
– Reception Desk (Continued)DIMENSIONS –
INCHES FOR
MM X BY 25.4

		1" (D)		1 3/16" (M)				1 9/16" (X)			
		SOURCE LAMINATE		FOUNDATION LAMINATE		FLINTWOOD		FOUNDATION LAMINATE		FLINTWOOD	
		GABLE FINISH		GABLE FINISH		GABLE FINISH		GABLE FINISH		GABLE FINISH	
D	Fw	Source Laminate	Source Laminate	Flintwood	Source Laminate	Flintwood	Source Laminate	Flintwood	Source Laminate	Flintwood	
24	72	556	773	1229	1052	1508	879	1327	1197	1645	
24	78	693	931	1617	1233	1919	1040	1719	1387	2066	
24	84	723	973	1659	1280	1966	1094	1773	1442	2121	
24	90	750	1023	1709	1325	2011	1144	1823	1496	2175	
24	96	780	1068	1754	1396	2082	1196	1875	1576	2255	
24	102	809	1113	1799	1656	2342	1248	1927	1844	2523	
24	108	838	1162	1848	1704	2390	1300	1979	1899	2578	
24	114	866	1208	1894	1762	2448	1350	2029	1965	2644	
24	120	895	1254	1940	1820	2506	1402	2081	2032	2711	
24	126	924	1302	1988	1866	2552	1456	2135	2085	2764	
24	132	951	1349	2035	1910	2596	1508	2187	2140	2819	
24	138	978	1397	2083	1959	2645	1559	2238	2192	2871	
24	144	1008	1444	2130	2003	2689	1611	2290	2247	2926	
30	72	697	967	1573	1219	1825	1073	1698	1372	1997	
30	78	844	1136	1972	1407	2243	1249	2106	1570	2427	
30	84	879	1196	2032	1460	2296	1313	2170	1633	2490	
30	90	915	1254	2090	1512	2348	1379	2236	1696	2553	
30	96	955	1312	2148	1565	2401	1443	2300	1880	2737	
30	102	990	1368	2204	1862	2698	1508	2365	2065	2922	
30	108	1025	1425	2261	1912	2748	1572	2429	2126	2983	
30	114	1060	1486	2322	1967	2803	1636	2493	2190	3047	
30	120	1095	1548	2384	2017	2853	1700	2557	2253	3110	
30	126	1131	1605	2441	2097	2933	1766	2623	2342	3199	
30	132	1167	1662	2498	2174	3010	1831	2688	2430	3287	
30	138	1203	1719	2555	2226	3062	1896	2753	2493	3350	
30	144	1238	1776	2612	2280	3116	1960	2817	2554	3411	