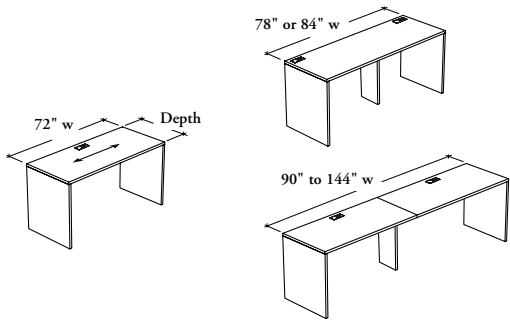


reception

Xpress

B_C W G

Main Worksurface with Two Gables – Reception Desk



This worksurface must only be used with a Reception Desk – Straight Module (B_CRF). It would be unstable if used alone.

WHAT'S INCLUDED

1 worksurface piece or 2 worksurface pieces (if 90" to 144" width is specified), 2 full gables with levelers, 1 half gable with levelers (if 78" to 144" width is specified), 1 or 2 (if 90" to 144" width is specified) cable trays, rectangular grommet (as specified), and mounting hardware.

WHAT'S EXCLUDED

Reception Desk – Straight Module.

NOTES

The 1 9/16" (X) thickness is **not** available in all Foundation Laminate and Edge Trim colors. Refer to the finish page of the Application Guide for details.

Centered grommet option (C) is **not** available with 78" or 84" worksurface widths.

Not all finishes are available as Xpress, Please see Xpress catalogue and/or specification software for details.

PRODUCT OPTIONS

Worksurface Thickness	Depth	Front Width	Grommet Option	Worksurface Finish	Edge Trim Style	Edge Trim Finish	Gable Finish	Grommet Finish
D 1"	20, 24, 30	072, 078, 084, 090, 096, 102, 108, 114, 120, 126, 132, 138, 144	C Centered	Source Laminate	6 Straight Trim	Edge Trim Colors (for trim style 6)	Source Laminate	Foundation Mica
M 1 3/16"			B Both Ends	Foundation Laminate	9 Flintwood Flat Trim		Flintwood (No Cathedral)	
X 1 9/16"				Flintwood (No Cathedral)				

SAMPLE ORDER CODE

BMCWG	24	84	C	VZ	9	XS	V
--------------	-----------	-----------	----------	-----------	----------	-----------	----------

DIMENSIONS – INCHES FOR MM X BY 25.4 PRICING

		1" (D)		1 3/16" (M)		1 9/16" (X)					
		SOURCE LAMINATE		FOUNDATION LAMINATE		FLINTWOOD		FOUNDATION LAMINATE		FLINTWOOD	
		GABLE FINISH									
D	Fw	Source Laminate	Source Laminate	Flintwood	Source Laminate	Flintwood	Source Laminate	Flintwood	Source Laminate	Flintwood	
20	72	828	1079	2120	1470	2511	1223	2251	1676	2704	
20	78	999	1254	2591	1663	3000	1423	2749	1882	3208	
20	84	1031	1299	2636	1719	3056	1478	2804	1943	3269	
20	90	1063	1351	2688	1772	3109	1534	2860	2004	3330	
20	96	1092	1402	2739	1857	3194	1589	2915	2096	3422	
20	102	1122	1506	2843	2153	3490	1646	2972	2405	3731	
20	108	1155	1559	2896	2205	3542	1699	3025	2464	3790	
20	114	1184	1611	2948	2292	3629	1755	3081	2555	3881	
20	120	1213	1662	2999	2377	3714	1812	3138	2652	3978	
20	126	1245	1720	3057	2430	3767	1865	3191	2717	4043	
20	132	1279	1777	3114	2487	3824	1923	3249	2777	4103	
20	138	1305	1808	3145	2551	3888	1975	3301	2856	4182	
20	144	1337	1840	3177	2623	3960	2032	3358	2934	4260	

Pricing is continued on the following page.

B _ C W G
Main Worksurface with Two Gables
– Reception Desk (Continued)

**DIMENSIONS – INCHES FOR
 MM X BY 25.4 PRICING**

		1" (D)		1 3/16" (M)				1 9/16" (X)			
		SOURCE LAMINATE		FOUNDATION LAMINATE		FLINTWOOD		FOUNDATION LAMINATE		FLINTWOOD	
		GABLE FINISH									
D	Fw	Source Laminate	Source Laminate	Flintwood	Source Laminate	Flintwood	Source Laminate	Flintwood	Source Laminate	Flintwood	
24	72	989	1268	2438	1631	2801	1469	2627	1880	3038	
24	78	1167	1472	2942	1861	3331	1677	3133	2123	3579	
24	84	1205	1528	2998	1923	3393	1741	3197	2196	3652	
24	90	1241	1589	3059	1980	3450	1808	3264	2263	3719	
24	96	1281	1651	3121	2072	3542	1879	3335	2366	3822	
24	102	1318	1709	3179	2408	3878	1944	3400	2712	4168	
24	108	1353	1771	3241	2466	3936	2009	3465	2781	4237	
24	114	1387	1830	3300	2544	4014	2076	3532	2866	4322	
24	120	1424	1888	3358	2619	4089	2141	3597	2952	4408	
24	126	1462	1951	3421	2676	4146	2209	3665	3021	4477	
24	132	1499	2011	3481	2734	4204	2278	3734	3091	4547	
24	138	1536	2074	3544	2797	4267	2344	3800	3160	4616	
24	144	1574	2136	3606	2856	4326	2409	3865	3231	4687	
30	72	1247	1596	3155	1920	3479	1771	3382	2154	3765	
30	78	1434	1812	3669	2160	4017	1998	3906	2409	4317	
30	84	1481	1888	3745	2230	4087	2080	3988	2492	4400	
30	90	1528	1965	3822	2297	4154	2166	4074	2575	4483	
30	96	1575	2037	3894	2366	4223	2246	4154	2812	4720	
30	102	1621	2112	3969	2747	4604	2327	4235	3045	4953	
30	108	1665	2182	4039	2814	4671	2413	4321	3129	5037	
30	114	1712	2263	4120	2883	4740	2495	4403	3211	5119	
30	120	1757	2343	4200	2949	4806	2579	4487	3291	5199	
30	126	1803	2415	4272	3048	4905	2663	4571	3406	5314	
30	132	1851	2492	4349	3149	5006	2747	4655	3518	5426	
30	138	1897	2566	4423	3217	5074	2827	4735	3599	5507	
30	144	1943	2637	4494	3286	5143	2910	4818	3678	5586	