

multi-level workstations

Xpress

B _ A S L P

Secondary Desk for Height-Adjustable L-Shape Worksurface

This desk supports a Height-Adjustable L-Shape Worksurfaces (B_ALHB, B_ALHP, B_ALHT, B_ALLB, B_ALLP and B_ALLT), a Wall Panel and Mounted Towers. It must be installed against a wall.

WHAT'S INCLUDED

1 worksurface, 2 gables, 1 or 2 reinforcing bars, rectangular grommets (as specified), and mounting hardware.

WHAT'S EXCLUDED

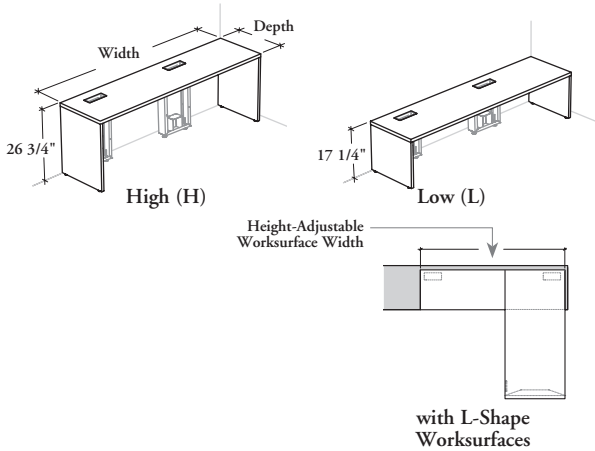
Low or High L-Shape Worksurface, Wall Panels, Wall Panel for Overhead Cabinet, Mounted Towers and Storage for Secondary Desk.

NOTES

Multi-Functional Drawer **cannot** be used this product.

For more details on Height-Adjustable L-Shape Worksurface position and secondary desk, refer on Application Guide.

The 1 9/16" (X) thickness is not available in all Foundation Laminate and Edge Trim colors. Refer to the finish page of the Application Guide for details.



PRODUCT OPTIONS

Worksurface Thickness	Height	Height-Adjustable Worksurface Width	Depth	Width	Worksurface Position (From Left)
M 1 3/16"	H High	58, 64, 70, 76, 82, 88	20, 24	060, 066, 072, 078, 084, 090, 096, 102, 108	00, 06, 12, 18, 24, 30, 36, 42, 48
X 1 9/16"	L Low				

520

SAMPLE ORDER CODE

BXASLP	L	58	20	108	00
---------------	----------	-----------	-----------	------------	-----------

PRODUCT OPTIONS CONTINUED

Grommet Option	Worksurface Finish	Edge Trim Style	Edge Trim Finish	Gable Finish	Grommet Finish (If Applicable)
L Left	Foundation Laminate	6 Straight Trim	Edge Trim Colors (for trim style 6)	Source Laminate	AC Clear Anodized Coordinate
N No Grommet (Shown)	Flintwood (No Cathedral)	9 Flintwood Flat Trim		Flintwood (No Cathedral)	B Soft Gris
R Right					Q Storm White
					V Very White
					X Anthracite
					6 Crisp Grey
					7 Platinum

SAMPLE ORDER CODE CONTINUED

R	LW	6	ST	XS	Q
----------	-----------	----------	-----------	-----------	----------

See Pricing on the following page.

B _ A S L P

Secondary Desk for Height Adjustable L-Shape Worksurface (Continued)

DIMENSIONS
INCHES / MM

		1 3/16" (M)							
		LOW (L)				HIGH (H)			
		58" HEIGHT-ADJUSTABLE WORKSURFACE WIDTH							
		FOUNDATION LAMINATE				FOUNDATION LAMINATE			
		FLINTWOOD				FLINTWOOD			
		GABLE FINISH							
D	W	Source Laminate	Flintwood	Source Laminate	Flintwood	Source Laminate	Flintwood	Source Laminate	Flintwood
20 / 508	60 / 1524	701	1212	1013	1524	753	1382	1068	1697
20 / 508	66 / 1524	749	1260	1067	1578	802	1431	1118	1747
20 / 508	72 / 1829	780	1291	1131	1642	832	1461	1183	1812
20 / 508	78 / 1981	810	1321	1182	1693	864	1493	1234	1863
20 / 508	84 / 2134	850	1361	1231	1742	903	1532	1284	1913
20 / 508	90 / 2286	897	1408	1283	1794	946	1575	1336	1965
20 / 508	96 / 2438	939	1450	1360	1871	994	1623	1412	2041
20 / 508	102 / 2591	980	1491	1409	1920	1035	1664	1462	2091
20 / 508	108 / 2743	1028	1539	1460	1971	1078	1707	1512	2141
24 / 610	60 / 1524	784	1313	1105	1634	847	1574	1168	1895
24 / 610	66 / 1524	837	1366	1161	1690	900	1627	1223	1950
24 / 610	72 / 1829	891	1420	1216	1745	955	1682	1280	2007
24 / 610	78 / 1981	940	1469	1297	1826	1003	1730	1360	2087
24 / 610	84 / 2134	992	1521	1351	1880	1052	1779	1415	2142
24 / 610	90 / 2286	1041	1570	1408	1937	1105	1832	1472	2199
24 / 610	96 / 2438	1095	1624	1490	2019	1156	1883	1551	2278
24 / 610	102 / 2591	1144	1673	1543	2072	1207	1934	1606	2333
24 / 610	108 / 2743	1195	1724	1599	2128	1258	1985	1661	2388



		1 9/16" (X)							
		LOW (L)				HIGH (H)			
		58" HEIGHT-ADJUSTABLE WORKSURFACE WIDTH							
		FOUNDATION LAMINATE				FOUNDATION LAMINATE			
		FLINTWOOD				FLINTWOOD			
		GABLE FINISH							
D	W	Source Laminate	Flintwood	Source Laminate	Flintwood	Source Laminate	Flintwood	Source Laminate	Flintwood
20 / 508	60 / 1524	740	1251	1185	1696	807	1436	1252	1881
20 / 508	66 / 1524	787	1298	1254	1765	855	1484	1322	1951
20 / 508	72 / 1829	835	1346	1335	1846	902	1531	1402	2031
20 / 508	78 / 1981	883	1394	1403	1914	951	1580	1472	2101
20 / 508	84 / 2134	932	1443	1472	1983	999	1628	1538	2167
20 / 508	90 / 2286	978	1489	1540	2051	1047	1676	1608	2237
20 / 508	96 / 2438	1031	1542	1633	2144	1098	1727	1700	2329
20 / 508	102 / 2591	1077	1588	1703	2214	1145	1774	1769	2398
20 / 508	108 / 2743	1127	1638	1769	2280	1194	1823	1837	2466
24 / 610	60 / 1524	861	1390	1293	1822	939	1666	1375	2102
24 / 610	66 / 1524	917	1446	1368	1897	998	1725	1447	2174
24 / 610	72 / 1829	973	1502	1442	1971	1054	1781	1523	2250
24 / 610	78 / 1981	1031	1560	1541	2070	1110	1837	1622	2349
24 / 610	84 / 2134	1086	1615	1616	2145	1167	1894	1696	2423
24 / 610	90 / 2286	1144	1673	1690	2219	1224	1951	1770	2497
24 / 610	96 / 2438	1204	1733	1789	2318	1283	2010	1869	2596
24 / 610	102 / 2591	1259	1788	1864	2393	1339	2066	1942	2669
24 / 610	108 / 2743	1317	1846	1937	2466	1397	2124	2016	2743

Pricing is continued on the following page.

multi-level workstations

Xpress

B _ A S L P

Secondary Desk for Height Adjustable L-Shape Worksurface (Continued)

DIMENSIONS
INCHES / MM

		1 3/16" (M)							
		LOW (L)				HIGH (H)			
		64" HEIGHT-ADJUSTABLE WORKSURFACE WIDTH							
		FOUNDATION LAMINATE				FOUNDATION LAMINATE			
		FLINTWOOD				FLINTWOOD			
		GABLE FINISH							
D	W	Source Laminate	Flintwood	Source Laminate	Flintwood	Source Laminate	Flintwood	Source Laminate	Flintwood
20 / 508	66 / 1524	749	1260	1067	1578	802	1431	1118	1747
20 / 508	72 / 1829	780	1291	1131	1642	832	1461	1183	1812
20 / 508	78 / 1981	810	1321	1182	1693	864	1493	1234	1863
20 / 508	84 / 2134	850	1361	1231	1742	903	1532	1284	1913
20 / 508	90 / 2286	897	1408	1283	1794	946	1575	1336	1965
20 / 508	96 / 2438	939	1450	1360	1871	994	1623	1412	2041
20 / 508	102 / 2591	980	1491	1409	1920	1035	1664	1462	2091
20 / 508	108 / 2743	1028	1539	1460	1971	1078	1707	1512	2141
24 / 610	66 / 1524	837	1366	1161	1690	900	1627	1223	1950
24 / 610	72 / 1829	891	1420	1216	1745	955	1682	1280	2007
24 / 610	78 / 1981	940	1469	1297	1826	1003	1730	1360	2087
24 / 610	84 / 2134	992	1521	1351	1880	1052	1779	1415	2142
24 / 610	90 / 2286	1041	1570	1408	1937	1105	1832	1472	2199
24 / 610	96 / 2438	1095	1624	1490	2019	1156	1883	1551	2278
24 / 610	102 / 2591	1144	1673	1543	2072	1207	1934	1606	2333
24 / 610	108 / 2743	1195	1724	1599	2128	1258	1985	1661	2388

		1 9/16" (X)							
		LOW (L)				HIGH (H)			
		64" HEIGHT-ADJUSTABLE WORKSURFACE WIDTH							
		FOUNDATION LAMINATE				FOUNDATION LAMINATE			
		FLINTWOOD				FLINTWOOD			
		GABLE FINISH							
D	W	Source Laminate	Flintwood	Source Laminate	Flintwood	Source Laminate	Flintwood	Source Laminate	Flintwood
20 / 508	66 / 1524	787	1298	1254	1765	855	1484	1322	1951
20 / 508	72 / 1829	835	1346	1335	1846	902	1531	1402	2031
20 / 508	78 / 1981	883	1394	1403	1914	951	1580	1472	2101
20 / 508	84 / 2134	932	1443	1472	1983	999	1628	1538	2167
20 / 508	90 / 2286	978	1489	1540	2051	1047	1676	1608	2237
20 / 508	96 / 2438	1031	1542	1633	2144	1098	1727	1700	2329
20 / 508	102 / 2591	1077	1588	1703	2214	1145	1774	1769	2398
20 / 508	108 / 2743	1127	1638	1769	2280	1194	1823	1837	2466
24 / 610	66 / 1524	917	1446	1368	1897	998	1725	1447	2174
24 / 610	72 / 1829	973	1502	1442	1971	1054	1781	1523	2250
24 / 610	78 / 1981	1031	1560	1541	2070	1110	1837	1622	2349
24 / 610	84 / 2134	1086	1615	1616	2145	1167	1894	1696	2423
24 / 610	90 / 2286	1144	1673	1690	2219	1224	1951	1770	2497
24 / 610	96 / 2438	1204	1733	1789	2318	1283	2010	1869	2596
24 / 610	102 / 2591	1259	1788	1864	2393	1339	2066	1942	2669
24 / 610	108 / 2743	1317	1846	1937	2466	1397	2124	2016	2743

Pricing is continued on the following page.

B _ A S L P

Secondary Desk for Height Adjustable L-Shape Worksurface (Continued)

DIMENSIONS
INCHES / MM

		1 3/16" (M)							
		LOW (L)				HIGH (H)			
		70" HEIGHT-ADJUSTABLE WORKSURFACE WIDTH							
		FOUNDATION LAMINATE				FOUNDATION LAMINATE			
		FLINTWOOD				FLINTWOOD			
		GABLE FINISH							
D	W	Source Laminate	Flintwood	Source Laminate	Flintwood	Source Laminate	Flintwood	Source Laminate	Flintwood
20 / 508	72 / 1829	780	1291	1131	1642	832	1461	1183	1812
20 / 508	78 / 1981	810	1321	1182	1693	864	1493	1234	1863
20 / 508	84 / 2134	850	1361	1231	1742	903	1532	1284	1913
20 / 508	90 / 2286	897	1408	1283	1794	946	1575	1336	1965
20 / 508	96 / 2438	939	1450	1360	1871	994	1623	1412	2041
20 / 508	102 / 2591	980	1491	1409	1920	1035	1664	1462	2091
20 / 508	108 / 2743	1028	1539	1460	1971	1078	1707	1512	2141
24 / 610	72 / 1829	891	1420	1216	1745	955	1682	1280	2007
24 / 610	78 / 1981	940	1469	1297	1826	1003	1730	1360	2087
24 / 610	84 / 2134	992	1521	1351	1880	1052	1779	1415	2142
24 / 610	90 / 2286	1041	1570	1408	1937	1105	1832	1472	2199
24 / 610	96 / 2438	1095	1624	1490	2019	1156	1883	1551	2278
24 / 610	102 / 2591	1144	1673	1543	2072	1207	1934	1606	2333
24 / 610	108 / 2743	1195	1724	1599	2128	1258	1985	1661	2388

		1 9/16" (X)							
		LOW (L)				HIGH (H)			
		70" HEIGHT-ADJUSTABLE WORKSURFACE WIDTH							
		FOUNDATION LAMINATE				FOUNDATION LAMINATE			
		FLINTWOOD				FLINTWOOD			
		GABLE FINISH							
		Source Laminate	Flintwood	Source Laminate	Flintwood	Source Laminate	Flintwood	Source Laminate	Flintwood
20 / 508	72 / 1829	835	1346	1335	1846	902	1531	1402	2031
20 / 508	78 / 1981	883	1394	1403	1914	951	1580	1472	2101
20 / 508	84 / 2134	932	1443	1472	1983	999	1628	1538	2167
20 / 508	90 / 2286	978	1489	1540	2051	1047	1676	1608	2237
20 / 508	96 / 2438	1031	1542	1633	2144	1098	1727	1700	2329
20 / 508	102 / 2591	1077	1588	1703	2214	1145	1774	1769	2398
20 / 508	108 / 2743	1127	1638	1769	2280	1194	1823	1837	2466
24 / 610	72 / 1829	973	1502	1442	1971	1054	1781	1523	2250
24 / 610	78 / 1981	1031	1560	1541	2070	1110	1837	1622	2349
24 / 610	84 / 2134	1086	1615	1616	2145	1167	1894	1696	2423
24 / 610	90 / 2286	1144	1673	1690	2219	1224	1951	1770	2497
24 / 610	96 / 2438	1204	1733	1789	2318	1283	2010	1869	2596
24 / 610	102 / 2591	1259	1788	1864	2393	1339	2066	1942	2669
24 / 610	108 / 2743	1317	1846	1937	2466	1397	2124	2016	2743

Pricing is continued on the following page.

multi-level workstations

Xpress

B _ A S L P

Secondary Desk for Height Adjustable L-Shape Worksurface (Continued)

DIMENSIONS
INCHES / MM

		1 3/16" (M)							
		LOW (L)				HIGH (H)			
		76" HEIGHT-ADJUSTABLE WORKSURFACE WIDTH							
		FOUNDATION LAMINATE				FOUNDATION LAMINATE			
		FLINTWOOD				FLINTWOOD			
		GABLE FINISH							
D	W	Source Laminate	Flintwood	Source Laminate	Flintwood	Source Laminate	Flintwood	Source Laminate	Flintwood
20 / 508	78 / 1981	810	1321	1182	1693	864	1493	1234	1863
20 / 508	84 / 2134	850	1361	1231	1742	903	1532	1284	1913
20 / 508	90 / 2286	897	1408	1283	1794	946	1575	1336	1965
20 / 508	96 / 2438	939	1450	1360	1871	994	1623	1412	2041
20 / 508	102 / 2591	980	1491	1409	1920	1035	1664	1462	2091
20 / 508	108 / 2743	1028	1539	1460	1971	1078	1707	1512	2141
24 / 610	78 / 1981	940	1469	1297	1826	1003	1730	1360	2087
24 / 610	84 / 2134	992	1521	1351	1880	1052	1779	1415	2142
24 / 610	90 / 2286	1041	1570	1408	1937	1105	1832	1472	2199
24 / 610	96 / 2438	1095	1624	1490	2019	1156	1883	1551	2278
24 / 610	102 / 2591	1144	1673	1543	2072	1207	1934	1606	2333
24 / 610	108 / 2743	1195	1724	1599	2128	1258	1985	1661	2388

		1 9/16" (X)							
		LOW (L)				HIGH (H)			
		76" HEIGHT-ADJUSTABLE WORKSURFACE WIDTH							
		FOUNDATION LAMINATE				FOUNDATION LAMINATE			
		FLINTWOOD				FLINTWOOD			
		GABLE FINISH							
D	W	Source Laminate	Flintwood	Source Laminate	Flintwood	Source Laminate	Flintwood	Source Laminate	Flintwood
20 / 508	78 / 1981	883	1394	1403	1914	951	1580	1472	2101
20 / 508	84 / 2134	932	1443	1472	1983	999	1628	1538	2167
20 / 508	90 / 2286	978	1489	1540	2051	1047	1676	1608	2237
20 / 508	96 / 2438	1031	1542	1633	2144	1098	1727	1700	2329
20 / 508	102 / 2591	1077	1588	1703	2214	1145	1774	1769	2398
20 / 508	108 / 2743	1127	1638	1769	2280	1194	1823	1837	2466
24 / 610	78 / 1981	1031	1560	1541	2070	1110	1837	1622	2349
24 / 610	84 / 2134	1086	1615	1616	2145	1167	1894	1696	2423
24 / 610	90 / 2286	1144	1673	1690	2219	1224	1951	1770	2497
24 / 610	96 / 2438	1204	1733	1789	2318	1283	2010	1869	2596
24 / 610	102 / 2591	1259	1788	1864	2393	1339	2066	1942	2669
24 / 610	108 / 2743	1317	1846	1937	2466	1397	2124	2016	2743

Pricing is continued on the following page.

B _ A S L P

Secondary Desk for Height Adjustable L-Shape Worksurface (Continued)

DIMENSIONS
INCHES / MM

		1 3/16" (M)							
		LOW (L)				HIGH (H)			
		82" HEIGHT-ADJUSTABLE WORKSURFACE WIDTH							
		FOUNDATION LAMINATE				FOUNDATION LAMINATE			
		FLINTWOOD				FLINTWOOD			
		GABLE FINISH							
D	W	Source Laminate	Flintwood	Source Laminate	Flintwood	Source Laminate	Flintwood	Source Laminate	Flintwood
20 / 508	84 / 2134	850	1361	1231	1742	903	1532	1284	1913
20 / 508	90 / 2286	897	1408	1283	1794	946	1575	1336	1965
20 / 508	96 / 2438	939	1450	1360	1871	994	1623	1412	2041
20 / 508	102 / 2591	980	1491	1409	1920	1035	1664	1462	2091
20 / 508	108 / 2743	1028	1539	1460	1971	1078	1707	1512	2141
24 / 610	84 / 2134	992	1521	1351	1880	1052	1779	1415	2142
24 / 610	90 / 2286	1041	1570	1408	1937	1105	1832	1472	2199
24 / 610	96 / 2438	1095	1624	1490	2019	1156	1883	1551	2278
24 / 610	102 / 2591	1144	1673	1543	2072	1207	1934	1606	2333
24 / 610	108 / 2743	1195	1724	1599	2128	1258	1985	1661	2388

		1 9/16" (X)							
		LOW (L)				HIGH (H)			
		82" HEIGHT-ADJUSTABLE WORKSURFACE WIDTH							
		FOUNDATION LAMINATE				FOUNDATION LAMINATE			
		FLINTWOOD				FLINTWOOD			
		GABLE FINISH							
D	W	Source Laminate	Flintwood	Source Laminate	Flintwood	Source Laminate	Flintwood	Source Laminate	Flintwood
20 / 508	84 / 2134	932	1443	1472	1983	999	1628	1538	2167
20 / 508	90 / 2286	978	1489	1540	2051	1047	1676	1608	2237
20 / 508	96 / 2438	1031	1542	1633	2144	1098	1727	1700	2329
20 / 508	102 / 2591	1077	1588	1703	2214	1145	1774	1769	2398
20 / 508	108 / 2743	1127	1638	1769	2280	1194	1823	1837	2466
24 / 610	84 / 2134	1086	1615	1616	2145	1167	1894	1696	2423
24 / 610	90 / 2286	1144	1673	1690	2219	1224	1951	1770	2497
24 / 610	96 / 2438	1204	1733	1789	2318	1283	2010	1869	2596
24 / 610	102 / 2591	1259	1788	1864	2393	1339	2066	1942	2669
24 / 610	108 / 2743	1317	1846	1937	2466	1397	2124	2016	2743

Pricing is continued on the following page.

multi-level workstations

Xpress

B _ A S L P

Secondary Desk for Height Adjustable L-Shape Worksurface (Continued)

DIMENSIONS
INCHES / MM

		1 3/16" (M)							
		LOW (L)				HIGH (H)			
		88" HEIGHT-ADJUSTABLE WORKSURFACE WIDTH							
		FOUNDATION LAMINATE				FOUNDATION LAMINATE			
		FLINTWOOD				FLINTWOOD			
		GABLE FINISH							
D	W	Source Laminate	Flintwood	Source Laminate	Flintwood	Source Laminate	Flintwood	Source Laminate	Flintwood
20 / 508	90 / 2286	897	1408	1283	1794	946	1575	1336	1965
20 / 508	96 / 2438	939	1450	1360	1871	994	1623	1412	2041
20 / 508	102 / 2591	980	1491	1409	1920	1035	1664	1462	2091
20 / 508	108 / 2743	1028	1539	1460	1971	1078	1707	1512	2141
24 / 610	90 / 2286	1041	1570	1408	1937	1105	1832	1472	2199
24 / 610	96 / 2438	1095	1624	1490	2019	1156	1883	1551	2278
24 / 610	102 / 2591	1144	1673	1543	2072	1207	1934	1606	2333
24 / 610	108 / 2743	1195	1724	1599	2128	1258	1985	1661	2388

		1 9/16" (X)							
		LOW (L)				HIGH (H)			
		88" HEIGHT-ADJUSTABLE WORKSURFACE WIDTH							
		FOUNDATION LAMINATE				FOUNDATION LAMINATE			
		FLINTWOOD				FLINTWOOD			
		GABLE FINISH							
D	W	Source Laminate	Flintwood	Source Laminate	Flintwood	Source Laminate	Flintwood	Source Laminate	Flintwood
20 / 508	90 / 2286	978	1489	1540	2051	1047	1676	1608	2237
20 / 508	96 / 2438	1031	1542	1633	2144	1098	1727	1700	2329
20 / 508	102 / 2591	1077	1588	1703	2214	1145	1774	1769	2398
20 / 508	108 / 2743	1127	1638	1769	2280	1194	1823	1837	2466
24 / 610	90 / 2286	1144	1673	1690	2219	1224	1951	1770	2497
24 / 610	96 / 2438	1204	1733	1789	2318	1283	2010	1869	2596
24 / 610	102 / 2591	1259	1788	1864	2393	1339	2066	1942	2669
24 / 610	108 / 2743	1317	1846	1937	2466	1397	2124	2016	2743

