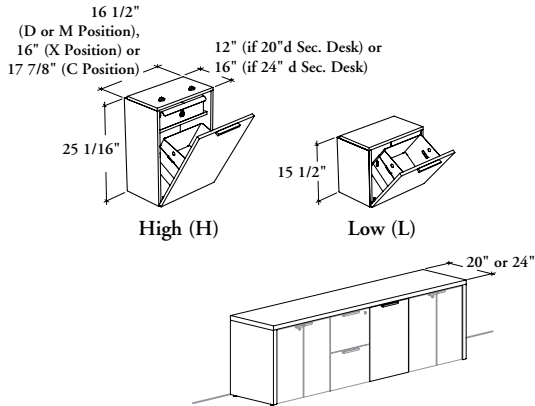


storage for multi-level workstations

Xpress

BSSRW

Recycling/Waste Cabinet for Secondary Desk



This modular service cabinet allows to provide hidden space for recycling and garbage and ensure to support secondary desk. The proper mix of end and center storage position will allow filling the whole span of a Secondary Desk. When Yes (Y) in front of height-adjustable mechanism option is specified, the storage allows to hide the height-adjustable mechanism.

WHAT'S INCLUDED

1 recycling/waste cabinet with levelers, pulls (as specified), mounting hardware, and accessories as listed below:

	Height	
	Low	High
Waste Bin	1	1
Recycling Tray	n/a	1
Fixed Shelf	n/a	1

WHAT'S EXCLUDED

Low or High Secondary Desk and all Low or High Secondary Desk for Height-Adjustable Worksurfaces.

NOTES

The end position must be specified next to a secondary desk gable in order to compensate its thickness creepage.

This cabinet is **not** lockable.

Not all finishes are available as Xpress, Please see Xpress catalogue and/or specification software for details.

PRODUCT OPTIONS

Position – Worksurface Thickness	In Front of Height-Adjustable Mechanism	Secondary Desk Height	Secondary Desk Depth	Width
C Center (Shown)	N No	H High	20, 24	18
D End – 1" thick Secondary Desk	Y Yes	L Low		
M End – 1 3/16" thick Secondary Desk				
X End – 1 9/16" thick Secondary Desk				

SAMPLE ORDER CODE

BSSRW M	N	H	24	18
----------------	----------	----------	-----------	-----------

PRODUCT OPTIONS CONTINUED

Front Finish	Case Finish	Pull Style	Pull Finish
Source Laminate Flintwood (No Cathedral)	Source Laminate Flintwood (No Cathedral)	9 Rectilinear	Foundation Mica

SAMPLE ORDER CODE CONTINUED

XS	XS	9	Q
-----------	-----------	----------	----------

See Pricing on the following page.

B S S R W

**Recycling/Waste Cabinet for
Secondary Desk (suite)**

**DIMENSIONS
INCHES / MM**

PRICING

DIMENSIONS INCHES / MM		POSITION – WORKSURFACE THICKNESS (C, M, X) <input type="checkbox"/> (C, M, X)			POSITION – WORKSURFACE THICKNESS (C, M, X) <input type="checkbox"/> (C, M, X)		
		YES IN FRONT OF HEIGHT-ADJUSTABLE MECHANISM (Y)			NO IN FRONT OF HEIGHT-ADJUSTABLE MECHANISM (N)		
		LOW (L)			HIGH (H)		
		SOURCE LAMINATE CASE FINISH	FLINTWOOD CASE FINISH		SOURCE LAMINATE CASE FINISH	FLINTWOOD CASE FINISH	
		FRONT FINISH			FRONT FINISH		
		Source Laminate	Flintwood	Flintwood	Source Laminate	Flintwood	Flintwood
20 / 508	18 / 457	951	1332	2234	1208	1588	2695
24 / 610	18 / 457	1002	1382	2306	1257	1638	2768
		LOW (L)			HIGH (H)		
		SOURCE LAMINATE CASE FINISH	FLINTWOOD CASE FINISH		SOURCE LAMINATE CASE FINISH	FLINTWOOD CASE FINISH	
		FRONT FINISH			FRONT FINISH		
		Source Laminate	Flintwood	Flintwood	Source Laminate	Flintwood	Flintwood
20 / 508	18 / 457	1002	1382	2306	1257	1638	2768
24 / 610	18 / 457	1002	1382	2306	1257	1638	2768