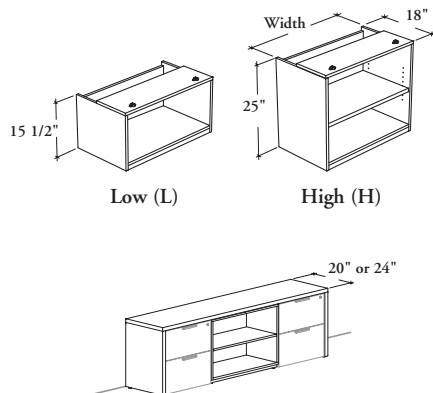


storage for secondary desks

Xpress

BSSO

Bookcase for Secondary Desk



This modular bookcase allows to provide additional storage and ensure to support secondary desk. The proper mix of end and center storage position will allow filling the whole span of a Secondary Desk. When Yes (Y) in front of height-adjustable mechanism option is specified, the storage allows to hide the mechanism.

WHAT'S INCLUDED

1 bookcase with levelers, 1 1" thick adjustable shelf (only high option), and mounting hardware.

WHAT'S EXCLUDED

Low or High Secondary Desk and all Low or High Secondary Desk for Height-Adjustable Worksurfaces.

NOTES

The end position must be specified next to a secondary desk gable in order to compensate its thickness creepage.

Can be used as a passive storage at the intersection of the secondary desk with the run-off worksurface, run-off with glass top, overlapping bridge and height-adjustable worksurface.

The high configuration will **not** allow two rows of standard letter-size binders.

The shelf has a five positions adjustment with 1 1/4" intervals.

Additional shelves (BSHE) **cannot** be specified separately.

Not all finishes are available as Xpress, Please see Xpress catalogue and/or specification software for details.

PRODUCT OPTIONS

Position – Worksurface Thickness	In Front of Height-Adjustable Mechanism	Secondary Desk Height
C Center (Shown)	N No	H High
D End – 1" thick Secondary Desk	Y Yes	L Low
M End – 1 3/16" thick Secondary Desk		
X End – 1 9/16" thick Secondary Desk		

SAMPLE ORDER CODE

BSSO C	Y	L
---------------	----------	----------

PRODUCT OPTIONS CONTINUED

Secondary Desk Depth	Width	Case Finish
20, 24	18, 24, 30, 36, 42	Source Laminate Flintwood (No Cathedral)

SAMPLE ORDER CODE CONTINUED

24	36	VZ
-----------	-----------	-----------

See Pricing on the following page

Bookcase for Secondary Desk
(Continued)

DIMENSIONS
INCHES / MM

POSITION – WORKSURFACE THICKNESS
(C, M, X) (C, M, X)

POSITION – WORKSURFACE THICKNESS
(C, M, X) (C, M, X)

YES IN FRONT OF HEIGHT-ADJUSTABLE MECHANISM (Y)

LOW (L)

HIGH (H)

CASE FINISH

D	W	Source Laminate	Flintwood	Source Laminate	Flintwood
20 / 508	18 / 457	325	1233	382	1590
20 / 508	24 / 610	360	1293	417	1677
20 / 508	30 / 762	396	1354	452	1767
20 / 508	36 / 914	429	1416	490	1864
20 / 508	42 / 1067	464	1476	526	1959
24 / 610	18 / 457	382	1289	439	1647
24 / 610	24 / 610	416	1350	474	1734
24 / 610	30 / 762	452	1411	509	1822
24 / 610	36 / 914	486	1473	546	1920
24 / 610	42 / 1067	521	1532	583	2015

POSITION – WORKSURFACE THICKNESS
(C, D, M, X) (C, M, X)

POSITION – WORKSURFACE THICKNESS
(C, D, M, X) (C, M, X)

NO IN FRONT OF HEIGHT-ADJUSTABLE MECHANISM (N)

LOW (L)

HIGH (H)

CASE FINISH

D	W	Source Laminate	Flintwood	Source Laminate	Flintwood
20 / 508	18 / 457	382	1289	439	1647
20 / 508	24 / 610	416	1350	474	1734
20 / 508	30 / 762	452	1411	509	1822
20 / 508	36 / 914	486	1473	546	1920
20 / 508	42 / 1067	521	1532	583	2015
24 / 610	18 / 457	382	1289	439	1647
24 / 610	24 / 610	416	1350	474	1734
24 / 610	30 / 762	452	1411	509	1822
24 / 610	36 / 914	486	1473	546	1920
24 / 610	42 / 1067	521	1532	583	2015