

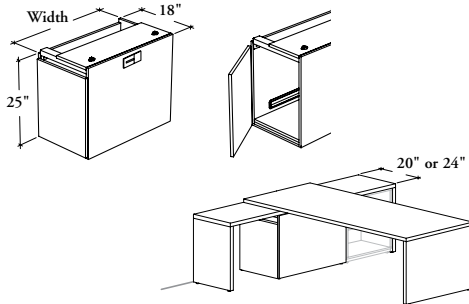
storage for multi-level workstations

Xpress

B S S M

Multi-Functional Storage for Secondary Desk

High (H)



This modular storage allows to provide additional storage and ensure to support secondary desk. It can be used in conjunction with other storage for secondary desk in order to fill the whole span of a secondary desk. When Yes (Y) in front of height-adjustable mechanism option is specified, the storage allows to hide the height-adjustable mechanism.

WHAT'S INCLUDED

1 case with levelers, 1 access door, 1 ventilation access, 1 rectangular grommet, mounting hardware, locks and keys (as specified).

WHAT'S EXCLUDED

High Secondary Desk, all High Secondary Desk for Height-Adjustable Worksurfaces, Plug-In Power Bar – Desk Mounted with Wire Clips (BLPPD) and Cable Tray (BLCT).

NOTES

The end position must be specified next to a secondary desk gable in order to compensate its thickness creepage.

Must be used as a passive storage at the intersection of the secondary desk with the run-off worksurface, run-off with glass top, overlapping bridge and Height-Adjustable Worksurfaces.

Not all finishes are available as Xpress, Please see Xpress catalogue and/or specification software for details.

PRODUCT OPTIONS

Position – Worksurface Thickness	In Front of Height-Adjustable Mechanism	Secondary Desk Height	Secondary Desk Depth	Width
C Center (Shown)	N No	H High	20, 24	24, 30, 36
D End – 1" thick Secondary Desk	Y Yes			
M End – 1 3/16" thick Secondary Desk				
X End – 1 9/16" thick Secondary Desk				

SAMPLE ORDER CODE

BSSM C	Y	H	24	36
---------------	----------	----------	-----------	-----------

PRODUCT OPTIONS CONTINUED

Configuration	Front Finish	Side Door and Case Finish	Grommet Finish	Key Style
L Left Side (Shown)	Source Laminate	Source Laminate	Foundation	N No Lock
R Right Side	Flintwood (No Cathedral)	Flintwood (No Cathedral)	Mica	K Keyed Alike R Keyed Randomly

SAMPLE ORDER CODE CONTINUED

L	XS	XS	Q	N
----------	-----------	-----------	----------	----------

See Pricing on the following page.

B S S M

**Multi-Functional Storage for
Secondary Desk (Continued)**

**DIMENSIONS
INCHES / MM**

PRICING

DIMENSIONS INCHES / MM		POSITION – WORKSURFACE THICKNESS (C, M, X) [] (C, M, X)			POSITION – WORKSURFACE THICKNESS (C, D, M, X) [] (C, M, X)		
		YES IN FRONT OF HEIGHT-ADJUSTABLE MECHANISM (Y)			NO IN FRONT OF HEIGHT-ADJUSTABLE MECHANISM (N)		
		HIGH (H)					
		SOURCE LAMINATE SIDE DOOR AND CASE FINISH	FLINTWOOD SIDE DOOR AND CASE FINISH		SOURCE LAMINATE SIDE DOOR AND CASE FINISH	FLINTWOOD SIDE DOOR AND CASE FINISH	
		FRONT FINISH					
D	W	Source Laminate	Flintwood	Flintwood	Source Laminate	Flintwood	Flintwood
20 / 508	24 / 610	731	1230	2318	803	1300	2387
20 / 508	30 / 762	780	1353	2443	850	1424	2517
20 / 508	36 / 914	831	1546	2565	900	1621	2638
24 / 610	24 / 610	803	1300	2387	803	1300	2387
24 / 610	30 / 762	850	1424	2517	850	1424	2517
24 / 610	36 / 914	900	1621	2638	900	1621	2638