

# mounted storage & accessories

## BOWTE

### Wall-Mounted Tackboard – Felt

This felt tackboard is a low-cost alternative and it installs under any Wall-Mounted Overhead Cabinet.

#### WHAT'S INCLUDED

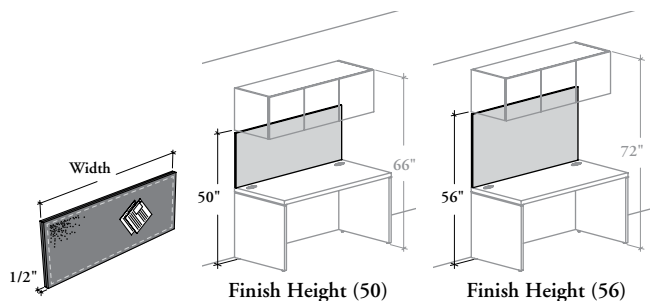
1 felt tackboard with Velcro® attachments and mounting hardware.

#### NOTES

Must be attached directly on the building wall. It **does not** allow wire management behind tackboard.

When the Wall-Mounted Tackboard is used over a secondary desk (B\_MSD, BH\_SR, BH\_SP or BH\_SL), it will **not** reach down to the worksurface.

**Cannot** be installed under a Cubic Overhead Cabinet or Hutch.



#### PRODUCT OPTIONS

Starting Height	Finishing Height	Width	Felt Finish	Stitches Finish
W From Standard Worksurface	<b>50</b> Aligns with bottom of Overhead Cabinet mounted at 66"  <b>56</b> Aligns with bottom of Overhead Cabinet mounted at 72"	24, 30, 36, 42, 48, 54, 60, 66, 72, 78, 84	Loft	<b>C</b> Carbon Coordinate <b>E</b> Shale Coordinate <b>G</b> Carrara Coordinate <b>M</b> Umber Coordinate

#### SAMPLE ORDER CODE

<b>BOWTE W</b>	<b>50</b>	<b>72</b>	<b>RB11</b>	<b>C</b>
----------------	-----------	-----------	-------------	----------

#### DIMENSIONS INCHES / MM

H	W
50 / 1270	24 / 610
50 / 1270	30 / 762
50 / 1270	36 / 914
50 / 1270	42 / 1067
50 / 1270	48 / 1219
50 / 1270	54 / 1372
50 / 1270	60 / 1524
50 / 1270	66 / 1676
50 / 1270	72 / 1829
50 / 1270	78 / 1981
50 / 1270	84 / 2134

#### PRICING

194
240
289
339
385
433
483
529
578
628
674
262
328
396
461
525
592
657
722
786
853
920