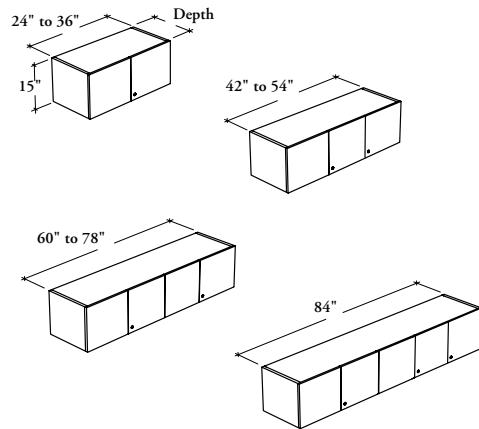


mounted storage & accessories

Xpress

B O S H

Overhead Cabinet – Solid Hinged Doors



This cabinet is a lockable mounted storage unit that supplies overhead storage in a variety of widths.

WHAT'S INCLUDED

1 overhead cabinet, wall-mounted supports (as specified), locks and keys (as specified), and components as listed below:

	Widths			
	24" to 36"	42" to 54"	60" to 78"	84"
Door	2	3	4	5
Divider	n/a	1	1	2

WHAT'S EXCLUDED

Wall Panel for Overhead Cabinet (B_WCC), Wall Panel for Overhead Cabinet and Shelf (B_WCO), Top for Overhead Cabinet (B_OT), and accessories (BLEDD or BLEDS).

NOTES

For the Wall Panel Mounting Style (B), specify the width according to the width of the Wall Panel for Overhead Cabinet.

When Wall-Mounted (W) option is specified, only 16" depth is available.

When Linear LED Light Ready (L) option is specified, 24" width is **not** available.

When Linear LED Light Ready (L) option is specified, a Support for Linear LED Light – Overhead (BLEDS) must be ordered separately.

Edge Trim finish on Door Front always match Door Front finish (Source or Foundation Laminate).

Not all finishes are available as Xpress, Please see Xpress catalogue and/or specification software for details.

PRODUCT OPTIONS

Mounting Style	Depth	Width	Height
B Wall Panel Mounted W Wall-Mounted	16, 18	24, 30, 36, 42, 48, 54, 60, 66, 72, 78, 84	15

SAMPLE ORDER CODE

BOSH B	16	54	15
---------------	-----------	-----------	-----------

PRODUCT OPTIONS CONTINUED

Light Management	Door Front Finish	Case Finish	Key Style
L Linear LED Light Ready N No Light Management	Source Laminate Foundation Laminate Flintwood (No Cathedral)	Source Laminate Flintwood (No Cathedral)	N No Lock K Keyed Alike R Keyed Randomly

SAMPLE ORDER CODE CONTINUED

L	XS	XS	K
----------	-----------	-----------	----------

See Pricing on the following page.

B O S H
Overhead Cabinet –
Solid Hinged Doors (Continued)

DIMENSIONS
INCHES / MM

D	W	H
16 / 406	24 / 610	15 / 381
16 / 406	30 / 762	15 / 381
16 / 406	36 / 914	15 / 381
16 / 406	42 / 1067	15 / 381
16 / 406	48 / 1219	15 / 381
16 / 406	54 / 1372	15 / 381
16 / 406	60 / 1524	15 / 381
16 / 406	66 / 1676	15 / 381
16 / 406	72 / 1829	15 / 381
16 / 406	78 / 1981	15 / 381
16 / 406	84 / 2134	15 / 381
18 / 457	24 / 610	15 / 381
18 / 457	30 / 762	15 / 381
18 / 457	36 / 914	15 / 381
18 / 457	42 / 1067	15 / 381
18 / 457	48 / 1219	15 / 381
18 / 457	54 / 1372	15 / 381
18 / 457	60 / 1524	15 / 381
18 / 457	66 / 1676	15 / 381
18 / 457	72 / 1829	15 / 381
18 / 457	78 / 1981	15 / 381
18 / 457	84 / 2134	15 / 381

PRICING

SOURCE LAMINATE CASE FINISH			FLINTWOOD CASE FINISH
DOOR FRONT FINISH			
Source Laminate	Foundation Laminate	Flintwood	Flintwood
718	757	922	2038
756	806	1092	2269
800	863	1261	2510
929	954	1452	2773
999	1082	1638	3025
1064	1155	1827	3482
1169	1268	1999	3703
1205	1313	2169	3921
1260	1387	2340	4141
1297	1431	2526	4376
1440	1585	2714	4603
718	757	922	2038
756	806	1092	2269
800	863	1261	2510
929	954	1452	2773
999	1082	1638	3025
1064	1155	1827	3482
1169	1268	1999	3703
1205	1313	2169	3921
1260	1387	2340	4141
1297	1431	2526	4376
1440	1585	2714	4603