

mounted storage & accessories

Xpress

BOGH

Overhead Cabinet – Glass Hinged Doors

This cabinet is a lockable mounted storage unit that supplies overhead storage in a variety of widths.

WHAT'S INCLUDED

1 overhead cabinet, wall-mounted supports (as specified), locks and keys (as specified), and components as listed below:

	Widths			
	24" to 36"	42" to 54"	60" to 78"	84"
Door	2	3	4	5
Divider	n/a	1	1	2

WHAT'S EXCLUDED

Wall Panel for Overhead Cabinet (B_WCC), Wall Panel for Overhead Cabinet and Shelf (B_WCO), Top for Overhead Cabinet (B_OT), and accessories (BLEDD or BLEDS).

NOTES

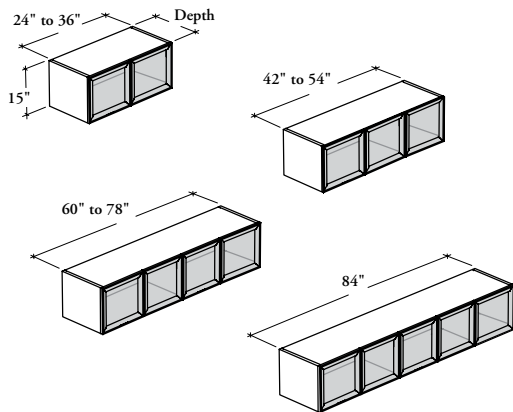
For the Wall Panel Mounting Style (B), specify the width according to the width of the Wall Panel for Overhead Cabinet.

When Wall-Mounted (W) option is specified, only 16" depth is available.

When Linear LED Light Ready (L) option is specified, 24" width is **not** available.

When Linear LED Light Ready (L) option is specified, a Support for Linear LED Light – Overhead (BLEDS) must be ordered separately.

Not all glass finishes are available as Xpress, Please see Xpress catalogue and/or specification software for details.



PRODUCT OPTIONS

Mounting Style	Depth	Width	Height	Light Management
B Wall Panel Mounted W Wall-Mounted	16, 18	24, 30, 36, 42, 48, 54, 60, 66, 72, 78, 84	15	L Linear LED Light Ready N No Light Management

SAMPLE ORDER CODE

BOGH W	16	84	15	L
---------------	-----------	-----------	-----------	----------

PRODUCT OPTIONS CONTINUED

Case Finish	Door Frame Finish	Glass Door Finish	Key Style
Source Laminate Flintwood (No Cathedral)	AC Clear Anodized Foundation Accent Mica	Standard: CL Clear FT Frosted Back-Painted	N No Lock K Keyed Alike R Keyed Randomly

SAMPLE ORDER CODE CONTINUED

XS	AC	FT	N
-----------	-----------	-----------	----------

See Pricing on the following page.

BOGH
Overhead Cabinet –
Glass Hinged Doors (Continued)

DIMENSIONS
INCHES / MM

D	W	H
16 / 406	24 / 610	15 / 381
16 / 406	30 / 762	15 / 381
16 / 406	36 / 914	15 / 381
16 / 406	42 / 1067	15 / 381
16 / 406	48 / 1219	15 / 381
16 / 406	54 / 1372	15 / 381
16 / 406	60 / 1524	15 / 381
16 / 406	66 / 1676	15 / 381
16 / 406	72 / 1829	15 / 381
16 / 406	78 / 1981	15 / 381
16 / 406	84 / 2134	15 / 381
18 / 457	24 / 610	15 / 381
18 / 457	30 / 762	15 / 381
18 / 457	36 / 914	15 / 381
18 / 457	42 / 1067	15 / 381
18 / 457	48 / 1219	15 / 381
18 / 457	54 / 1372	15 / 381
18 / 457	60 / 1524	15 / 381
18 / 457	66 / 1676	15 / 381
18 / 457	72 / 1829	15 / 381
18 / 457	78 / 1981	15 / 381
18 / 457	84 / 2134	15 / 381

PRICING

SOURCE LAMINATE CASE FINISH
GLASS DOOR FRONT FINISH

Clear Glass (CL)	Frosted Glass (FT) / Back-Painted Glass
1138	1320
1284	1485
1312	1520
1568	1816
1712	1980
1856	2145
2024	2333
2169	2497
2246	2587
2384	2748
2596	2992
1138	1320
1284	1485
1312	1520
1568	1816
1712	1980
1856	2145
2024	2333
2169	2497
2246	2587
2384	2748
2596	2992

FLINTWOOD CASE FINISH

Clear Glass (CL)	Frosted Glass (FT) / Back-Painted Glass
2254	2436
2461	2662
2561	2769
2889	3137
3099	3367
3511	3800
3728	4037
3921	4249
4047	4388
4234	4598
4485	4881
2254	2436
2461	2662
2561	2769
2889	3137
3099	3367
3511	3800
3728	4037
3921	4249
4047	4388
4234	4598
4485	4881

KEY UPCHARGE

Keyed Alike or Keyed Randomly
55
55
55
115
115
115
115
115
115
115
115
115
171
55
55
55
115
115
115
115
115
115
115
171