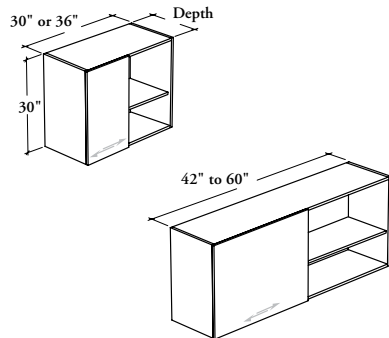


# mounted storage & accessories

**Xpress**

## **BODSS**

### **Double Overhead Cabinet – Solid Overlay Sliding Door**



This cabinet is a mounted storage unit that supplies double overhead storage in a variety of widths.

**WHAT'S INCLUDED**

1 double overhead cabinet, wall-mounted supports (as specified), 1 overlay sliding door, 1 fixed-height shelf per compartment and 1 divider (54" and 60" only).

**WHAT'S EXCLUDED**

Wall Panel for Overhead Cabinet (B\_WCC), Wall Panel for Overhead Cabinet and Shelf (B\_WCO) and accessories (BLEDD or BLEDS).

**NOTES**

For the Wall Panel Mounting Style (B), specify the width according to the width of the Wall Panel for Overhead Cabinet.

When Wall-Mounted (W) option is specified, only 16" depth is available.

Top for Overhead Cabinet (B\_OT) **cannot** be installed on this product.

When Linear LED Light Ready (L) option is specified, a Support for Linear LED Light – Overhead (BLEDS) must be ordered separately.

Edge Trim finish on Overlay Door Front always match Overlay Door Front finish (Source Laminate).

**Not all finishes** are available as Xpress, Please see Xpress catalogue and/or specification software for details.

**PRODUCT OPTIONS**

Mounting Style	Configuration	Depth	Width	Height
<b>B</b> Wall Panel Mounted <b>W</b> Wall-Mounted	<b>O</b> One Door	16, 18	30, 36, 42, 48, 54, 60	30

**SAMPLE ORDER CODE**

<b>BODSS B</b>	<b>O</b>	<b>18</b>	<b>60</b>	<b>30</b>
----------------	----------	-----------	-----------	-----------

**PRODUCT OPTIONS CONTINUED**

Orientation	Light Management	Overlay Door Finish	Case Finish	Key Style
<b>L</b> Overlay Door on Left (Shown) <b>R</b> Overlay Door on Right	<b>L</b> Linear LED Light Ready <b>N</b> No Light Management	Source Laminate Flintwood (No Cathedral)	Source Laminate Flintwood (No Cathedral)	<b>N</b> No Lock

**SAMPLE ORDER CODE CONTINUED**

<b>L</b>	<b>L</b>	<b>XS</b>	<b>XS</b>	<b>N</b>
----------	----------	-----------	-----------	----------

See Pricing on the following page.



**Overhead Cabinet –  
Solid Overlay Sliding Door (Continued)**

**DIMENSIONS  
INCHES / MM**

D	W	H
16 / 406	30 / 762	30 / 762
16 / 406	36 / 914	30 / 762
16 / 406	42 / 1067	30 / 762
16 / 406	48 / 1219	30 / 762
16 / 406	54 / 1372	30 / 762
16 / 406	60 / 1524	30 / 762
<hr/>		
18 / 457	30 / 762	30 / 762
18 / 457	36 / 914	30 / 762
18 / 457	42 / 1067	30 / 762
18 / 457	48 / 1219	30 / 762
18 / 457	54 / 1372	30 / 762
18 / 457	60 / 1524	30 / 762

**PRICING**

ONE DOOR (O)		
SOURCE LAMINATE CASE FINISH		FLINTWOOD CASE FINISH
OVERLAY DOOR FRONT FINISH		
	Source Laminate	Flintwood
	1037	1269
	1100	1342
	1179	1433
	1269	1529
	1359	1627
	1461	1743
<hr/>		
	1037	1269
	1100	1342
	1179	1433
	1269	1529
	1359	1627
	1461	1743
		2942
		3145
		3318
		3589
		3862
		4153