

multi-level workstations

Xpress

B M _ R

Fixed Run-Off – Mid-Height

This fixed run-off must only be mounted on the rear edge of a Mid-Height Kneespace for Height-Adjustability and Fixed Run-Off (BHKFH) or a Mid-Height Credenza for Fixed Worksurface (BSMCFW or BSMLFW) and is supported by a single support at the other end.

WHAT'S INCLUDED

1 worksurface, 2 worksurface supports for mid-height module, 1 wire management kit, 1 rectangular cut-out with grommet (as specified), 1 square cut-out without ring (if applicable), and mounting hardware.

WHAT'S EXCLUDED

Mid-Height Kneespace Module for Height-Adjustability and Fixed Run-Off, Mid-Height Credenza for Fixed Worksurface – Open and Drawers, Mid-Height Credenza for Fixed Worksurface – Open and Combo and Support.

NOTES

When Rectangular Grommet (E or N) option is specified, only Non-Handed (N) configuration is available.

When Rectangular Grommet (O or P) option is specified, only Left- (L) or Right-Handed (R) configuration are available.

Support styles (B or K) are **not** available with 24" deep worksurface.

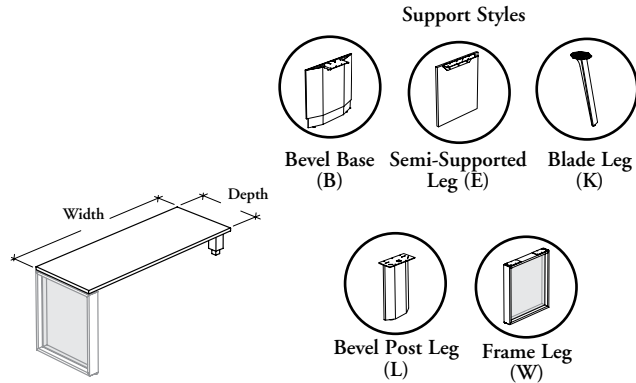
Bevel Post Leg (L) support style is **not** available with 57" wide worksurface.

Support styles (B, E or W) are **not** available with Radius (R) Corner Detail.

When 24" x 57" configuration is specified, the Radius Corner Detail (R) is **not** available.

The 1 9/16" (X) thickness is **not** available in all Foundation Laminate and Edge Trim colors. Refer to the finish page of the Application Guide for details.

Not all finishes are available as Xpress, Please see Xpress catalogue and/or specification software for details.



PRODUCT OPTIONS

Worksurface Thickness	Configuration	Depth	Width	Corner Detail	Grommet Option	Configuration
M 1 3/16"	K Mid-Height	24, 30, 36	57, 63, 69, 75, 81	R Radius	E End of Worksurface – Rectangular	L Left Handed (Shown)
X 1 9/16"				S Straight (Shown)		N No Grommet (Shown)
					P Offset – Rectangular & Square	R Right Handed

SAMPLE ORDER CODE

BMMR	K	30	81	S	E	N
-------------	----------	-----------	-----------	----------	----------	----------

PRODUCT OPTIONS CONTINUED

Support Style (Not Included)	Worksurface Finish	Edge Trim Style	Edge Trim Finish	Hardware Finish	Grommet Finish (If Applicable)
B Bevel Base	Foundation Laminate Flintwood (No Cathedral)	6 Straight Trim	Edge Trim Colors (for trim style 6)	Foundation	Foundation
E Semi-Supported Leg		9 Flintwood Flat Trim		Mica	Mica
K Blade Leg				Accent	
L Bevel Post Leg				Coordinate Colors	
W Frame Leg					

SAMPLE ORDER CODE CONTINUED

E	VZ	9		7	7
----------	-----------	----------	--	----------	----------

See Pricing on the following page.

B M _ R
Fixed Run-Off – Mid-Height
(Continued)

DIMENSIONS
INCHES / MM

D	W
24 / 610	57 / 1448
24 / 610	63 / 1600
24 / 610	69 / 1753
24 / 610	75 / 1905
24 / 610	81 / 2057
30 / 762	57 / 1448
30 / 762	63 / 1600
30 / 762	69 / 1753
30 / 762	75 / 1905
30 / 762	81 / 2057
36 / 914	57 / 1448
36 / 914	63 / 1600
36 / 914	69 / 1753
36 / 914	75 / 1905
36 / 914	81 / 2057

PRICING

1 3/16" (M)	
Foundation Laminate	Flintwood
648	1312
712	1394
774	1474
834	1571
892	1666
796	1398
870	1505
944	1609
1018	1714
1095	1819
936	1589
1027	1713
1119	1837
1209	1944
1299	2050

1 9/16" (X)	
Foundation Laminate	Flintwood
697	1413
764	1500
831	1585
897	1685
964	1787
854	1585
938	1689
1022	1792
1105	1909
1187	2027
1014	1760
1114	1881
1215	2001
1312	2133
1412	2269