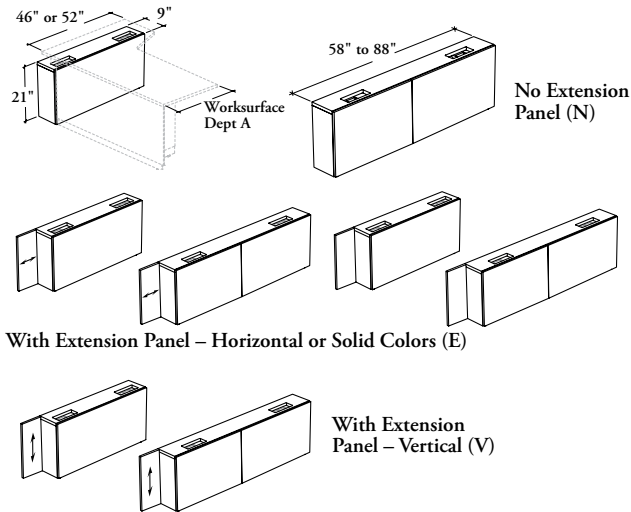


workwall storage

Xpress

B H K H L

Workwall Kneespace Module – Full-Modesty Height-Adjustable Extended or "L" Run-Off



This module supports a Full-Modesty Height-Adjustable Extended or L-Shape Run-Off to enable users to work perpendicular to the wall, and also facing the wall with the L-Shape Run-Off, in a sit/stand position. It must be anchored to a building wall.

WHAT'S INCLUDED

1 workwall kneespace module with levels, 1 or 2 removable fronts, 1 extension panel (if applicable) and mounting hardware.

WHAT'S EXCLUDED

Full-Modesty Height-Adjustable Extended or L-Shape Run-Off and Wall Panels.

NOTES

Can be used with:

- Full-Modesty Height-Adjustable Extended Run-Off – Offset Base (BF_E)
- Full-Modesty Height-Adjustable L-Shape Run-Off – Offset Base (BF_L)

refer to the Application Guide.

When No Extension Panel (N) option is specified, Extension Panel Finish is **not** available.

When Source Laminate Front Finish is specified, only Source Laminate Case Finish is available.

Not all finishes are available as Xpress, Please see Xpress catalogue and/or specification software for details.

PRODUCT OPTIONS

Extension Panel	Depth	Worksurface Depth A	Worksurface Depth B	Height
N No Extension Panel	9	29, 35	46, 52, 58, 64, 70, 76, 82, 88	21
E With Extension Panel – Horizontal or Solid Colors				
V With Extension Panel – Vertical				

SAMPLE ORDER CODE

BHKHL N	9	29	76	21
----------------	----------	-----------	-----------	-----------

PRODUCT OPTIONS CONTINUED

Configuration	Front Finish	Edge Trim Finish (Laminate Front only)	Case Finish	Extension Panel Finish (If Applicable)
L Left Handed (Shown)	Source Laminate	Edge Trim Colors	Source Laminate	Source Laminate
R Right Handed	Flintwood (No Cathedral)		Flintwood (No Cathedral)	Flintwood (No Cathedral)

SAMPLE ORDER CODE CONTINUED

L	VZ		VZ	
----------	-----------	--	-----------	--

See Pricing on the following page.

B H K H L
Workwall Kneespace Module –
Full-Modesty Height-Adjustable
Extended or "L" Run-Off (Continued)

DIMENSIONS
INCHES / MM

PRICING

DIMENSIONS				NO EXTENSION PANEL (N)			
				SOURCE LAMINATE FRONT FINISH		FLINTWOOD FRONT FINISH	
D	Da	Wb	H	CASE FINISH			
				Source Laminate	Source Laminate	Flintwood	
9	29	46	21	1165	1482	2144	
9	29	52	21	1199	1551	2223	
9	29	58	21	1235	1621	2298	
9	29	64	21	1372	1832	2381	
9	29	70	21	1426	1958	2465	
9	29	76	21	1479	2043	2582	
9	29	82	21	1534	2126	2699	
9	29	88	21	1586	2210	2816	
9	35	46	21	1165	1482	2144	
9	35	52	21	1199	1551	2223	
9	35	58	21	1235	1621	2298	
9	35	64	21	1372	1832	2381	
9	35	70	21	1426	1958	2465	
9	35	76	21	1479	2043	2582	
9	35	82	21	1534	2126	2699	
9	35	88	21	1586	2210	2816	
				WITH EXTENSION PANEL – HORIZONTAL OR SOLID COLORS (E) or VERTICAL (V)			
				SOURCE LAMINATE FRONT FINISH		FLINTWOOD FRONT FINISH	
				EXTENSION PANEL SOURCE LAMINATE			
				CASE FINISH			
				Source Laminate	Source Laminate	Flintwood	
9	29	46	21	1241	1558	2220	
9	29	52	21	1275	1627	2299	
9	29	58	21	1311	1697	2374	
9	29	64	21	1448	1908	2457	
9	29	70	21	1502	2034	2541	
9	29	76	21	1555	2119	2658	
9	29	82	21	1610	2202	2775	
9	29	88	21	1662	2286	2892	
9	35	46	21	1241	1558	2220	
9	35	52	21	1275	1627	2299	
9	35	58	21	1311	1697	2374	
9	35	64	21	1448	1908	2457	
9	35	70	21	1502	2034	2541	
9	35	76	21	1555	2119	2658	
9	35	82	21	1610	2202	2775	
9	35	88	21	1662	2286	2892	

Pricing is continued on the following page.

workwall storage

Xpress

B H K H L

Workwall Kneespace Module – Full-Modesty Height-Adjustable Extended or "L" Run-Off

DIMENSIONS
INCHES / MM

PRICING

WITH EXTENSION PANEL – HORIZONTAL OR SOLID COLORS (E) or VERTICAL (V) (CONTINUED)

SOURCE LAMINATE FRONT FINISH

FLINTWOOD FRONT FINISH

EXTENSION PANEL FLINTWOOD

CASE FINISH

D	Da	Wb	H	Source Laminate	Source Laminate	Flintwood
9	29	46	21	1382	1699	2361
9	29	52	21	1416	1768	2440
9	29	58	21	1452	1838	2515
9	29	64	21	1589	2049	2598
9	29	70	21	1643	2175	2682
9	29	76	21	1696	2260	2799
9	29	82	21	1751	2343	2916
9	29	88	21	1803	2427	3033
9	35	46	21	1382	1699	2361
9	35	52	21	1416	1768	2440
9	35	58	21	1452	1838	2515
9	35	64	21	1589	2049	2598
9	35	70	21	1643	2175	2682
9	35	76	21	1696	2260	2799
9	35	82	21	1751	2343	2916
9	35	88	21	1803	2427	3033

