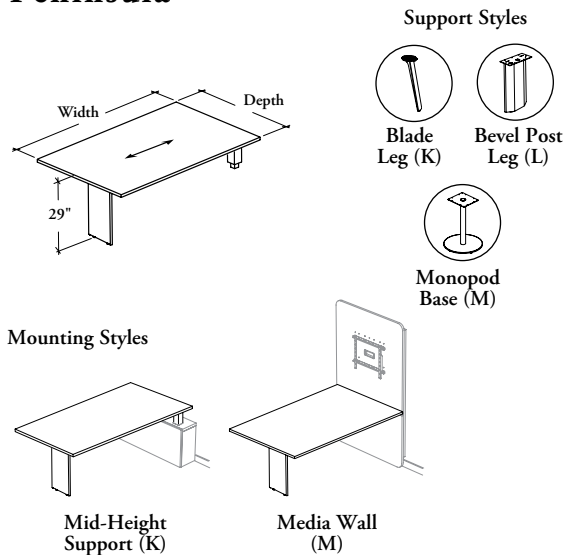


meeting tables

Xpress

BCFR

Fixed Rectangular Meeting Peninsula



This 29" fixed-height meeting peninsula must only be mounted on a Workwall Storage (BHKHF, BHKFW, BSMÖBW) or a Media Wall (BCMWF). Perfect for virtual meetings and presentations. The table offers both power and data access for laptops, as well as seamless connectivity to the screen.

WHAT'S INCLUDED

1 worksurface, 2 worksurface supports for workwall storage, 29" fixed-height support(s) with levelers (as specified), reinforcing bars, 1 power module and/or 1 tv-stand cut-out (as specified), wire mangement clips, and mounting hardware.

WHAT'S EXCLUDED

Workwall Kneespace Modules, Workwall Bookcase, Media Wall, Power Modules and TV Stand – Meeting Peninsula.

NOTES

When Worksurface Thickness (V) option is specified, the Radius (R) Corner Detail is not available.

When Worksurface Thickness (V) option is specified, only Edge Trim Style (F) option is available.

When Worksurface Thickness (M) option is specified, the Edge Trim Styles (6 or 9) options are available.

Leg Back & Hardware finish and Leg Front finish can be specified with Blade Leg (K) option only.

Support & Hardware finish can be specified with Support Styles (L or M) only.

When Media Wall (M) option is specified, only No TV Stand (N) option is available.

Not all finishes are available as Xpress, Please see Xpress catalogue and/or specification software for details.

PRODUCT OPTIONS

Worksurface Thickness	Mounting Style (Not Included)	Depth	Width	Height	Corner Detail		TV Stand Ready
					R Radius	S Straight (Shown)	
M 1 3/16"	K Mid-Height Support M Media Wall	36, 42, 48	60, 66, 72, 78, 84, 90	29	R Radius	K Blade Leg	N No TV Stand
V 1 3/16" Knife Edge					S Straight (Shown)	L Bevel Post Leg (Shown) M Monopod Base	R TV Stand Ready

SAMPLE ORDER CODE

BC	M	F	R	K	42	72	29	R	L	N
----	---	---	---	---	----	----	----	---	---	---

PRODUCT OPTIONS CONTINUED

Power Module Cut-Out	Worksurface Finish	Edge Trim Style	Edge Trim Finish	Support and Hardware Finish (If Applicable)	Leg Back and Hardware Finish (If Applicable)	Leg Front Finish (If Applicable)
NN No Cut-Out (Shown)	Foundation Laminate Flintwood (No Cathedral)	6 Straight Trim	Edge Trim Colors for trim style 6 or F)	Foundation	Foundation	Foundation
LC Linear Power Module – Compact 8"		9 Flintwood Flat Trim		Mica	Mica	Mica
LS Linear Power Module – Standard 18"		F Full Edge Trim		Accent	Accent	Accent
PQ Power Pill – Quad						
SE Square – End						

SAMPLE ORDER CODE CONTINUED

NN	2D	6	4D	83		
----	----	---	----	----	--	--

See Pricing on the following page.

BC_FR

Fixed Rectangular Meeting Peninsula (Continued)

DIMENSIONS – INCHES
FOR MM X BY 25.4

PRICING

			1 3/16" (M)					
			MID-HEIGHT SUPPORT (K)					
			BEVEL POST LEG (L)		BLADE LEG (K)		MONOPOD BASE (M)	
			POWER MODULE CUT-OUT (NN) or (SE)					
			WORKSURFACE FINISH					
D	W	H	Foundation Laminate	Flintwood	Foundation Laminate	Flintwood	Foundation Laminate	Flintwood
36	60	29	1215	2159	1426	2370	1628	2572
36	66	29	1284	2274	1495	2485	1697	2687
36	72	29	1354	2306	1565	2517	1767	2719
36	78	29	1420	2414	1631	2625	1833	2827
36	84	29	1479	2611	1690	2822	1892	3024
36	90	29	1540	2714	1751	2925	1953	3127
42	60	29	1300	2359	1511	2570	1713	2772
42	66	29	1376	2485	1587	2696	1789	2898
42	72	29	1452	2569	1663	2780	1865	2982
42	78	29	1524	2689	1735	2900	1937	3102
42	84	29	1589	2850	1800	3061	2002	3263
42	90	29	1656	2965	1867	3176	2069	3378
48	60	29	1385	2559	1596	2770	1798	2972
48	66	29	1468	2696	1679	2907	1881	3109
48	72	29	1550	2832	1761	3043	1963	3245
48	78	29	1628	2964	1839	3175	2041	3377
48	84	29	1699	3089	1910	3300	2112	3502
48	90	29	1772	3216	1983	3427	2185	3629
			POWER MODULE CUT-OUT (LC, LS or PQ)					
			WORKSURFACE FINISH					
D	W	H	Foundation Laminate	Flintwood	Foundation Laminate	Flintwood	Foundation Laminate	Flintwood
36	72	29	1354	2306	1565	2517	1767	2719
36	78	29	1420	2414	1631	2625	1833	2827
36	84	29	1479	2611	1690	2822	1892	3024
36	90	29	1540	2714	1751	2925	1953	3127
42	72	29	1452	2569	1663	2780	1865	2982
42	78	29	1524	2689	1735	2900	1937	3102
42	84	29	1589	2850	1800	3061	2002	3263
42	90	29	1656	2965	1867	3176	2069	3378
48	72	29	1550	2832	1761	3043	1963	3245
48	78	29	1628	2964	1839	3175	2041	3377
48	84	29	1699	3089	1910	3300	2112	3502
48	90	29	1772	3216	1983	3427	2185	3629

Pricing is continued on the following page.

meeting tables

Xpress

BCFR

Fixed Rectangular Meeting Peninsula (Continued)

DIMENSIONS – INCHES
FOR MM X BY 25.4

PRICING

1 3/16" (M) (CONTINUED)

MEDIA WALL (M)

BEVEL POST LEG (L)

BLADE LEG (K)

MONOPOD BASE (M)

POWER MODULE CUT-OUT (NN) or (SE)

WORKSURFACE FINISH

D	W	H	Foundation		Foundation		Foundation	
			Laminate	Flintwood	Laminate	Flintwood	Laminate	Flintwood
42	60	29	1300	2359	1511	2570	1713	2772
42	66	29	1376	2485	1587	2696	1789	2898
42	72	29	1452	2569	1663	2780	1865	2982
42	78	29	1524	2689	1735	2900	1937	3102
42	84	29	1589	2850	1800	3061	2002	3263
42	90	29	1656	2965	1867	3176	2069	3378
48	60	29	1385	2559	1596	2770	1798	2972
48	66	29	1468	2696	1679	2907	1881	3109
48	72	29	1550	2832	1761	3043	1963	3245
48	78	29	1628	2964	1839	3175	2041	3377
48	84	29	1699	3089	1910	3300	2112	3502
48	90	29	1772	3216	1983	3427	2185	3629

POWER MODULE CUT-OUT (LC, LS or PQ)

WORKSURFACE FINISH

	D	W	H	Foundation		Foundation		Foundation	
				Laminate	Flintwood	Laminate	Flintwood	Laminate	Flintwood
	42	72	29	1452	2569	1663	2780	1865	2982
	42	78	29	1524	2689	1735	2900	1937	3102
	42	84	29	1589	2850	1800	3061	2002	3263
	42	90	29	1656	2965	1867	3176	2069	3378
	48	72	29	1550	2832	1761	3043	1963	3245
	48	78	29	1628	2964	1839	3175	2041	3377
	48	84	29	1699	3089	1910	3300	2112	3502
	48	90	29	1772	3216	1983	3427	2185	3629

1 3/16" KNIFE EDGE (V)

MID-HEIGHT SUPPORT (K)

BEVEL POST LEG (L)

BLADE LEG (K)

MONOPOD BASE (M)

POWER MODULE CUT-OUT (NN) or (SE)

WORKSURFACE FINISH

	D	W	H	Foundation		Foundation		Foundation	
				Laminate	Flintwood	Laminate	Flintwood	Laminate	Flintwood
	36	60	29	1345	n/a	1556	n/a	1758	n/a
	36	66	29	1424	n/a	1635	n/a	1837	n/a
	36	72	29	1504	n/a	1715	n/a	1917	n/a
	36	78	29	1580	n/a	1791	n/a	1993	n/a
	36	84	29	1649	n/a	1860	n/a	2062	n/a
	36	90	29	1720	n/a	1931	n/a	2133	n/a
	42	60	29	1435	n/a	1646	n/a	1848	n/a
	42	66	29	1521	n/a	1732	n/a	1934	n/a
	42	72	29	1607	n/a	1818	n/a	2020	n/a
	42	78	29	1689	n/a	1900	n/a	2102	n/a
	42	84	29	1764	n/a	1975	n/a	2177	n/a
	42	90	29	1841	n/a	2052	n/a	2254	n/a

Pricing is continued on the following page.



BC_FR

Fixed Rectangular Meeting Peninsula (Continued)

**DIMENSIONS – INCHES
FOR MM X BY 25.4**

PRICING

1 3/16" KNIFE EDGE (V) (CONTINUED)

MID-HEIGHT SUPPORT (K)

			BEVEL POST LEG (L)		BLADE LEG (K)		MONOPOD BASE (M)	
			WORKSURFACE FINISH					
D	W	H	Foundation Laminate	Flintwood	Foundation Laminate	Flintwood	Foundation Laminate	Flintwood
48	60	29	1525	n/a	1736	n/a	1938	n/a
48	66	29	1618	n/a	1829	n/a	2031	n/a
48	72	29	1710	n/a	1921	n/a	2123	n/a
48	78	29	1798	n/a	2009	n/a	2211	n/a
48	84	29	1879	n/a	2090	n/a	2292	n/a
48	90	29	1962	n/a	2173	n/a	2375	n/a

POWER MODULE CUT-OUT (LC, LS or PQ)

			WORKSURFACE FINISH					
D	W	H	Foundation Laminate	Flintwood	Foundation Laminate	Flintwood	Foundation Laminate	Flintwood
36	72	29	1504	n/a	1715	n/a	1917	n/a
36	78	29	1580	n/a	1791	n/a	1993	n/a
36	84	29	1649	n/a	1860	n/a	2062	n/a
36	90	29	1720	n/a	1931	n/a	2133	n/a
42	72	29	1607	n/a	1818	n/a	2020	n/a
42	78	29	1689	n/a	1900	n/a	2102	n/a
42	84	29	1764	n/a	1975	n/a	2177	n/a
42	90	29	1841	n/a	2052	n/a	2254	n/a
48	72	29	1710	n/a	1921	n/a	2123	n/a
48	78	29	1798	n/a	2009	n/a	2211	n/a
48	84	29	1879	n/a	2090	n/a	2292	n/a
48	90	29	1962	n/a	2173	n/a	2375	n/a

MEDIA WALL (M)

			BEVEL POST LEG (L)		BLADE LEG (K)		MONOPOD BASE (M)	
			WORKSURFACE FINISH					
D	W	H	Foundation Laminate	Flintwood	Foundation Laminate	Flintwood	Foundation Laminate	Flintwood
42	60	29	1435	n/a	1646	n/a	1848	n/a
42	66	29	1521	n/a	1732	n/a	1934	n/a
42	72	29	1607	n/a	1818	n/a	2020	n/a
42	78	29	1689	n/a	1900	n/a	2102	n/a
42	84	29	1764	n/a	1975	n/a	2177	n/a
42	90	29	1841	n/a	2052	n/a	2254	n/a
48	60	29	1525	n/a	1736	n/a	1938	n/a
48	66	29	1618	n/a	1829	n/a	2031	n/a
48	72	29	1710	n/a	1921	n/a	2123	n/a
48	78	29	1798	n/a	2009	n/a	2211	n/a
48	84	29	1879	n/a	2090	n/a	2292	n/a
48	90	29	1962	n/a	2173	n/a	2375	n/a

Pricing is continued on the following page.

meeting tables

Xpress

B C _ F R

Fixed Rectangular Meeting Peninsula (Continued)

DIMENSIONS – INCHES
FOR MM X BY 25.4

PRICING

			1 3/16" (M) (CONTINUED)					
			MEDIA WALL (M)					
			BEVEL POST LEG (L)		BLADE LEG (K)		MONOPOD BASE (M)	
			POWER MODULE CUT-OUT (LC, LS or PQ)					
			WORKSURFACE FINISH					
D	W	H	Foundation Laminate	Flintwood	Foundation Laminate	Flintwood	Foundation Laminate	Flintwood
42	72	29	1607	n/a	1818	n/a	2020	n/a
42	78	29	1689	n/a	1900	n/a	2102	n/a
42	84	29	1764	n/a	1975	n/a	2177	n/a
42	90	29	1841	n/a	2052	n/a	2254	n/a
48	72	29	1710	n/a	1921	n/a	2123	n/a
48	78	29	1798	n/a	2009	n/a	2211	n/a
48	84	29	1879	n/a	2090	n/a	2292	n/a
48	90	29	1962	n/a	2173	n/a	2375	n/a

