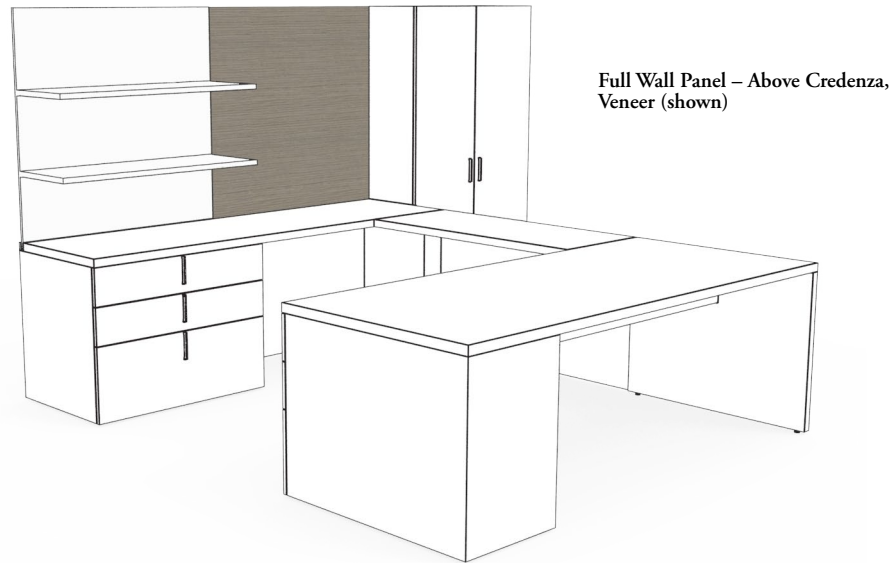


## wall panel basics

Dossier Wall Panels mount to the wall above a credenza to provide a solid wall mounted surface.



### configurations:

#### Finishes:

- fabric
- veneer
- back painted glass
- magnetic veneer

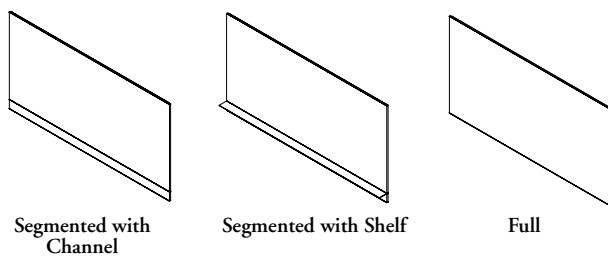
#### Heights:

- Full datum heights, extending between a credenza top to the full height of 70" or 84"
- Partial height, extending between a credenza top to the bottom of overhead storage

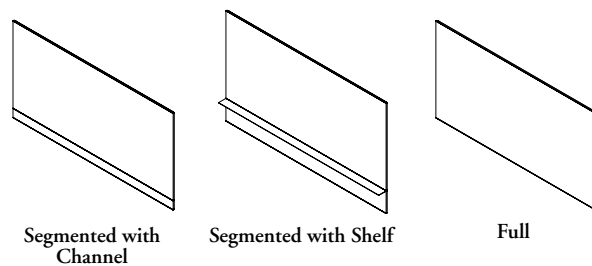
#### Configurations:

- Segmented: with a channel to accommodate a glass or solid surface shelf, each section can be a different finish, but the bottom section is always wood
- Full: with no segmentation

### Above credenza



### Above low credenza



#### Segmented Wall Panel – Above Credenza (ZJWS)

#### Full Wall Panel – Above Credenza, Fabric (ZJWFF)

#### Full Wall Panel – Above Credenza, Glass (ZJWFG)

#### Full Wall Panel – Above Credenza, Veneer (ZJWVF)

#### Full Wall Panel - Above Credenza Magnetic Veneer (ZJWFM)

- Heights: 12-5/8", 26-3/4", 40-7/8", 42-3/8" and 40-7/8"

#### Widths:

- For 12-5/8", 26-3/4" and 40-7/8" high:
  - 15", 18" and 30" to 108" in 6" increments
- For 42-3/8" and 56-1/2" high:
  - 15", 18" and 30" to 48" in 6" increments

#### Segmented Wall Panel – Above Low Credenza (ZJWL)

#### Full Wall Panel – Above Low Storage, Fabric (ZJWGF)

#### Full Wall Panel – Above Low Storage, Glass (ZJWGG)

#### Full Wall Panel – Above Low Credenza, Veneer (ZJWGV)

#### Full Wall Panel – Above Low Credenza, Magnetic Veneer (ZJWGM)

- Heights: 20-1/2", 34-5/8", 48-3/4", 50-1/4" and 64-3/8"

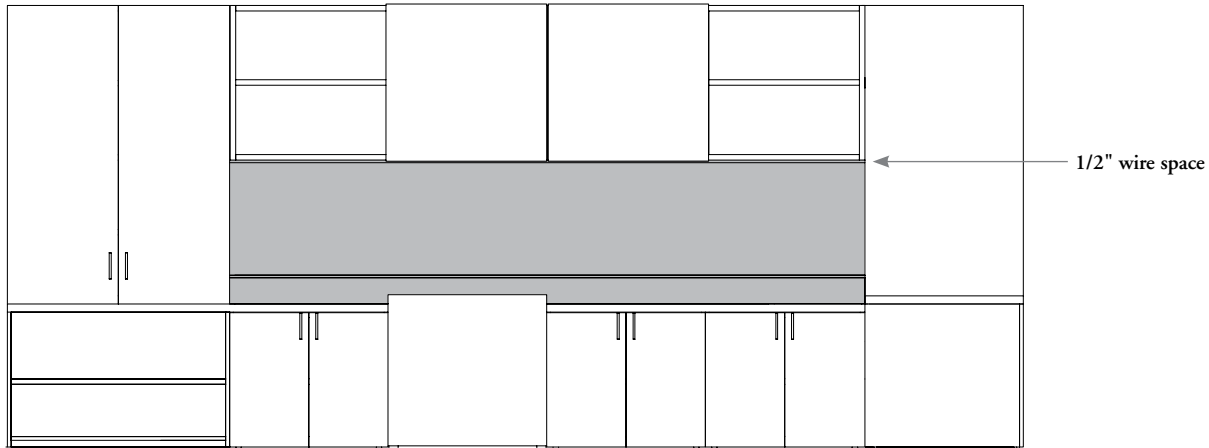
#### Widths:

- For 20-1/2", 34-5/8" high:
  - 15", 18" and 30" to 108" in 6" increments
- For 48-3/4", 50-1/4" and 64-3/8" high:
  - 15" to 48"

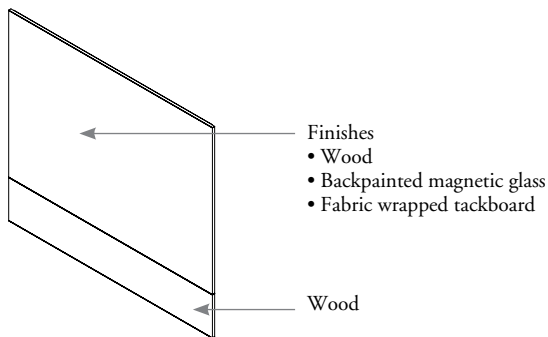
# planning with wall panels

The following should be considered when planning with Wall Panels.

Wall panels between credenzas and overhead cabinets are sized 1/2" less than the height of the space they will occupy. This allows space for cables from wall mounted storage task lights to be concealed.



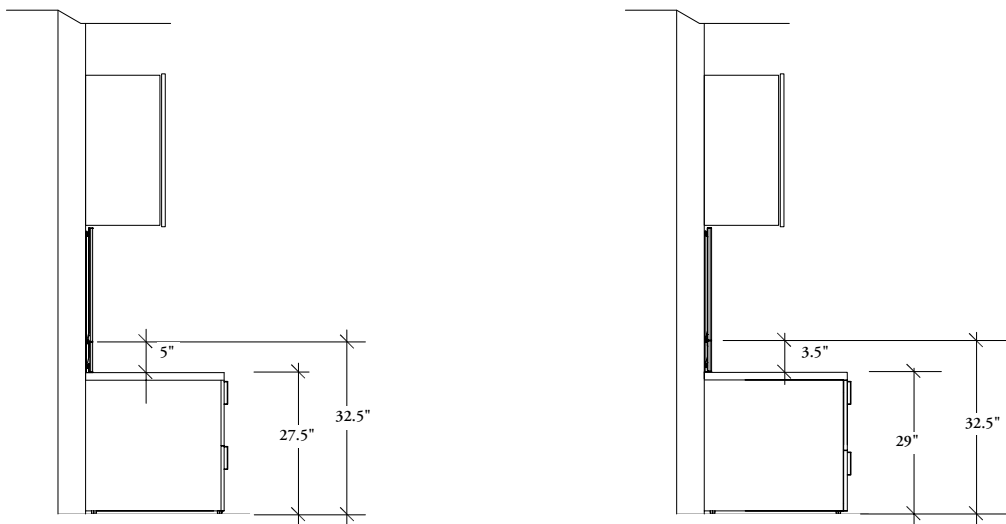
Segmented wall panels can be specified with or without a shelf, and the two segments can be specified in different finishes.



The horizontal division is 32 1/2" above the floor

- 5" above a 27-1/2" credenza
- 3-1/2" above a 29" high credenza

A 1/2" gap is required between the top of the wall panel and bottom of the overhead, wall panels are sized to accommodate this.

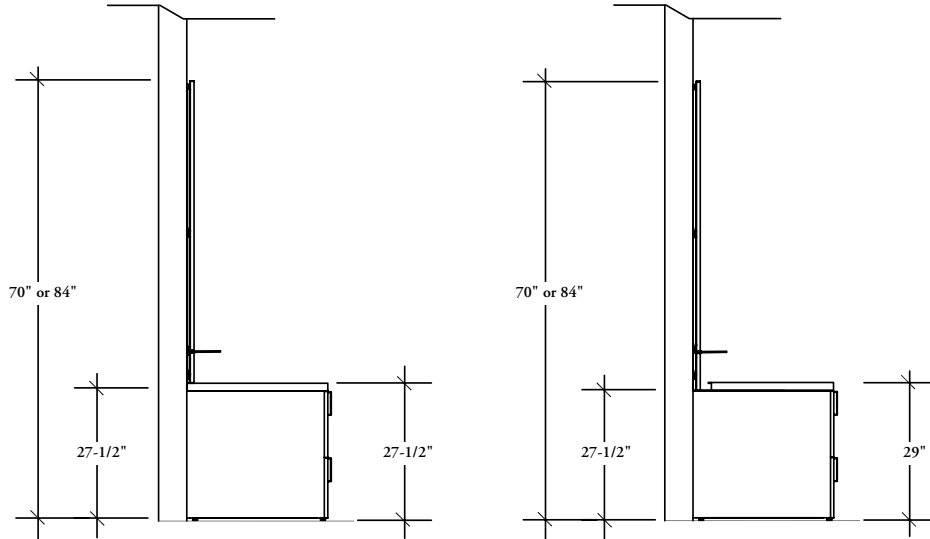


# planning with wall panels (continued)

Wall panels are sized to match datum heights of 70" or 84" and mount above high or low credenzas.

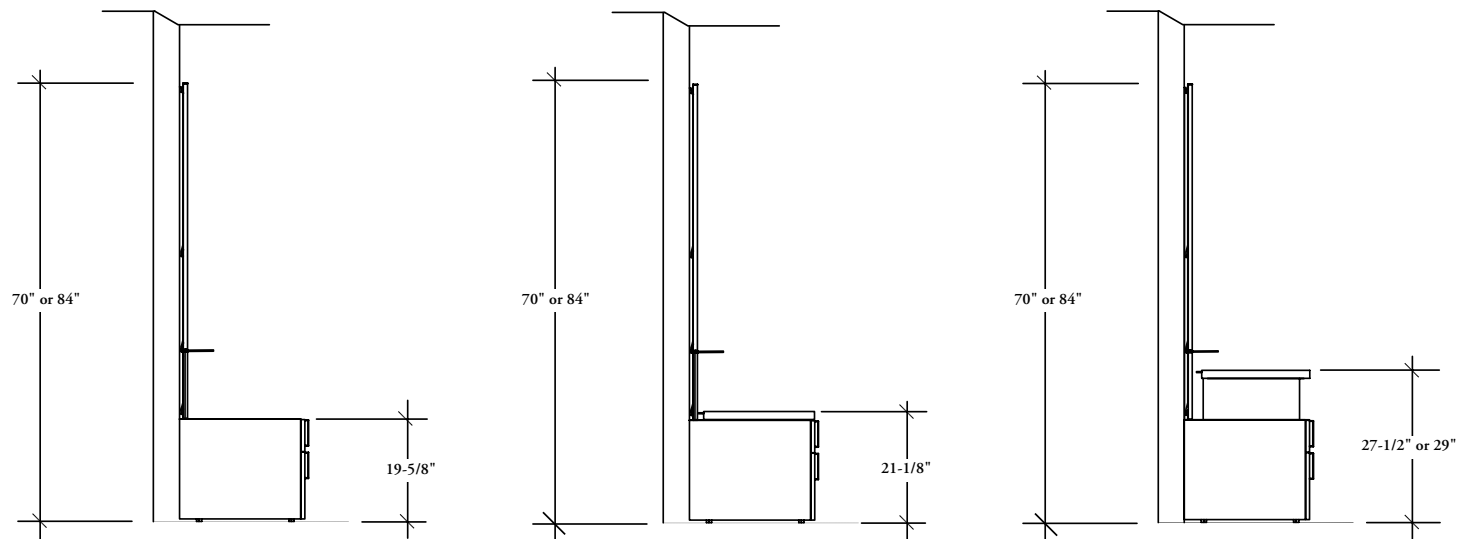
## high credenza

The Wall Panel starts at 27-1/2" high regardless of upper storage height and whether credenza is 27-1/2" or 29" high.



## low credenza

The Wall Panel starts at 19-5/8" high regardless of upper storage height and whether credenza is at 19-5/8", 21-1/8" high.



# wall panel, open shelf basics

Dossier Wall Panels with Open Shelves mount to the wall above a credenza to provide open storage in a combination of finishes.



Wall Panel, Open Shelves – Above Credenza and Full Wall Panel – Above Credenza (Shown)

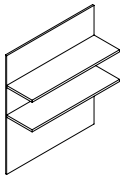
Panel with shelves mount to a wall above a credenza or low credenza.

Finish Options:

- Open Shelf - all wood construction
- Open Shelf Combination
  - Wood upper section and shelves
  - Backpainted glass lower section

Depths: 12" and 15"

## above credenza

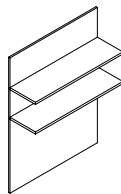


Wall Panel, Open Shelves – Above Credenza (ZJWOH)

Wall Panel – Open Shelves Combination, Above Credenza (ZJWCH)

- Used above a credenza at 27-1/2" high
- Dimensions:
  - 70" high datum height:
    - Height: 42-3/8"
    - Widths: 30" to 108" in 6" increments
  - 84" datum height:
    - Height: 56-1/2"
    - Widths: 30" to 60" in 6" increments

## above low credenza



Wall Panel, Open Shelves – Above Low Credenza (ZJWOL)

Wall Panel – Open Shelves Combination, Above Low Credenza (ZJWCL)

- Used above a credenza at 19-5/8" high
- Dimensions:
  - 70" high datum height:
    - Height: 50"
    - Widths: 30" to 108" in 6" increments
  - 84" datum height:
    - Height: 64"
    - Widths: 30" to 60" in 6" increments



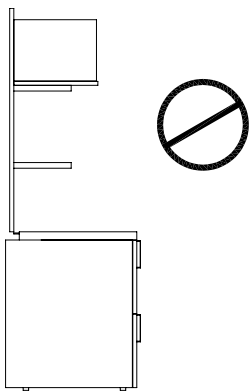
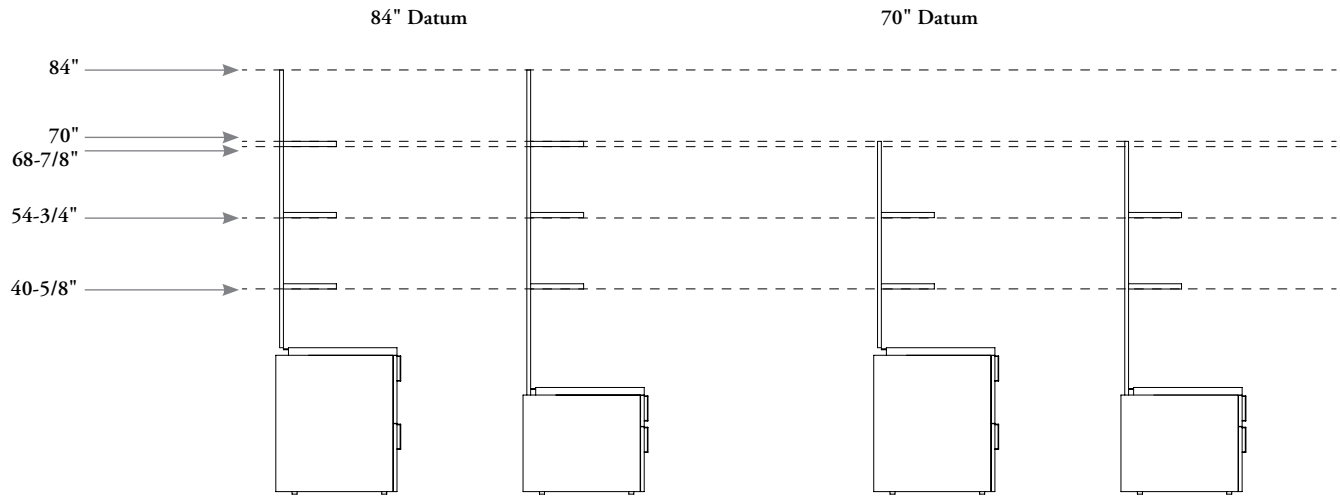
Rare Earth Magnet (ZJWM)

- Used on Wall Panels with Back Painted Glass finish

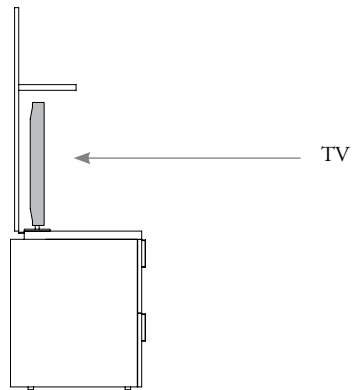
# planning with wall panels, open shelf

The following should be considered when planning with wall panel, open shelf.

Wall Panel, Open Shelves are sized to match storage datum heights of 70" and 84" and mount above a 19-5/8" low credenza or 27-1/2" high credenza.



A wall mounted overhead cabinet **cannot** be mounted above an open shelf.



The open shelf can be specified without one or two of the lower shelves to allow for larger items such as TV's.