

wall mount storage basics

Dossier provides a variety of wall mounted components that work together with Freestanding Storage and Wall Panels.

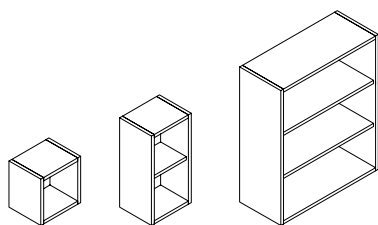


Wall Mounted Storage – Double Sliding Door (shown)

Mounted storage are sized for use with wall panels.
Available with one, two or three openings depending on width
Configurations:
• Open
• Closed
• Closed with sliding doors

All are available with an optional cubby shelf
Heights:
• One-high: 15-1/8" overall with a 13-1/8" opening
• Two-high: 29-1/4" overall with two 13-1/8" openings
• Three-high: 43-3/8" overall with three 13-1/8" openings

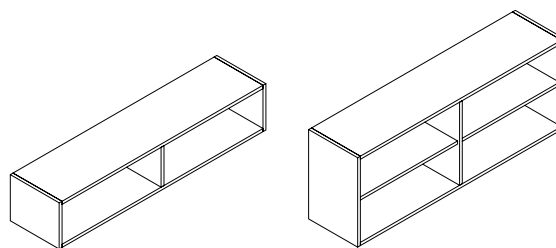
Optional Under Cabinet Light Widths: 29", 39" and 50"



Wall Mounted Storage – Open (ZJMO)

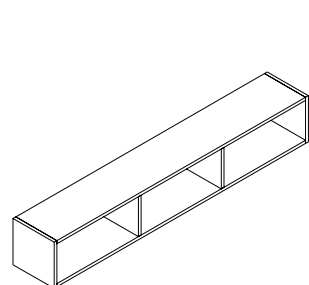
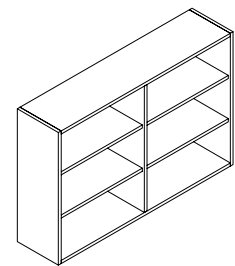
one opening

Widths: 15", 18", 30", 36", 42"



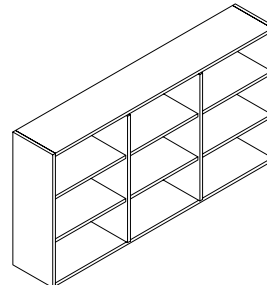
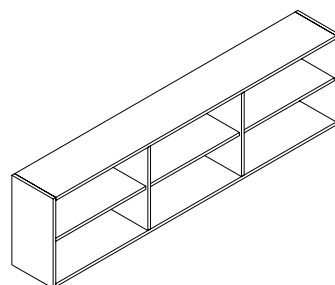
two openings

Widths: 48" to 78" in 6" increments



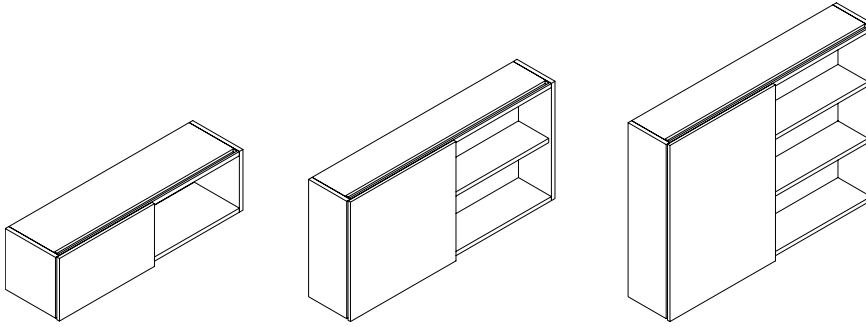
three openings

One and Two-high configuration:
Widths: 84" to 108" in 6" increments



Three high configuration:
Width: 84"

wall mount storage basics (continued)



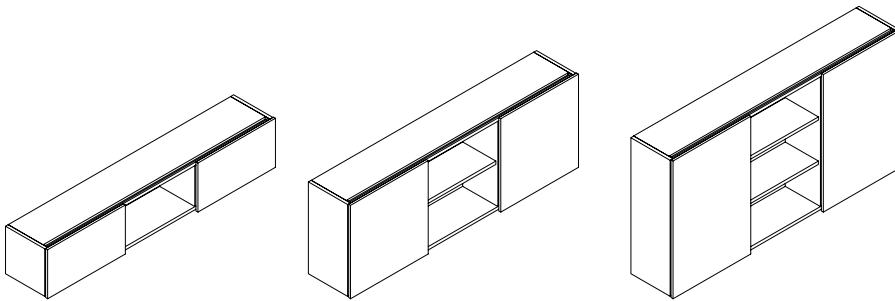
Wall Mount Storage – Single Sliding Door (ZJMS)

two openings

One-high configurations:
 Depths: 15-1/2" and 18-1/2"
 Widths: 54"-84" in 6" increments

Two-high configurations:
 12" deep: 60"-84"
 15" & 18" deep: 54"-84"

Three-high configurations:
 12" deep: 60", 72", 84"
 15" deep: 54"-84"



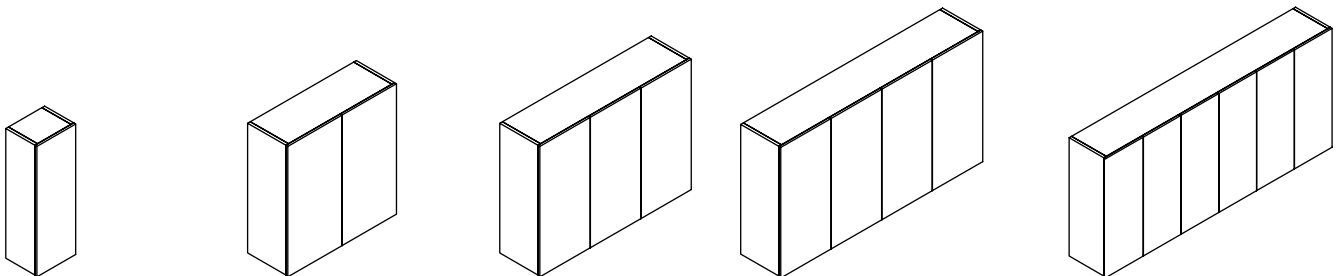
Wall Mount Storage – Double Sliding Door (ZJMD)

three openings

One and Two-high configurations:
 Depths: 15-1/2" and 18-1/2"
 Widths: 84" to 108" in 6" increments

Three-high configuration:
 Depths: 15-1/2"
 Widths: 84"

Cubby shelf:
 Depths: 15 (15-1/2")



Wall Mount Storage – Hinged Doors (ZJMH)

Single door configuration:
 Depths: 12", 15-1/2" and 18-1/2"
 Widths: 15" and 18"
 Handed complete with one lock

Two door configurations:
 Depths: 12", 15-1/2" and 18-1/2"
 Widths: 30", 36" and 42"
 Complete with one lock

Three door configurations:
 Depths: 15-1/2" and 18-1/2"
 Widths: 48" and 54"
 Complete with two locks

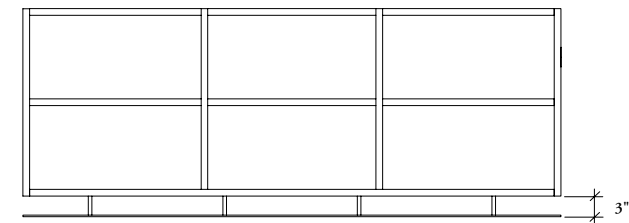
Four door configurations:
 Depths: 15-1/2" and 18-1/2"
 Widths: 60" to 78" in 6" increments
 Complete with two locks

Six door configurations:
 Depths: 15-1/2" and 18-1/2"
 Widths: 84" - 108" in 6" increments
 Complete with three locks

planning with wall mount storage

The following should be considered when planning with Wall Mounted Storage.

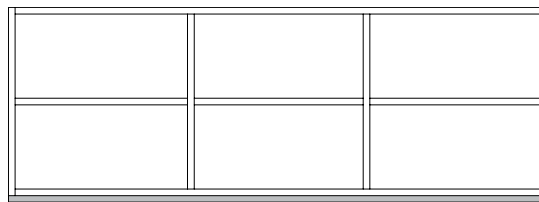
Over the cubby



Cubby Shelf

- The shelf suspends 3" below the bottom of the cabinet to provide additional storage cubbies
- The shelf **cannot** accommodate a light below
- Shelf Finish Options:
 - Wood
 - Solid surface
 - Glass

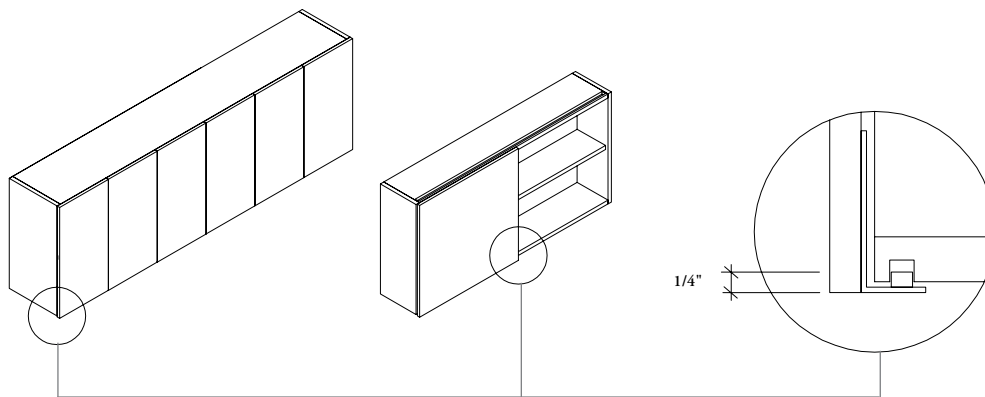
Valance and Light



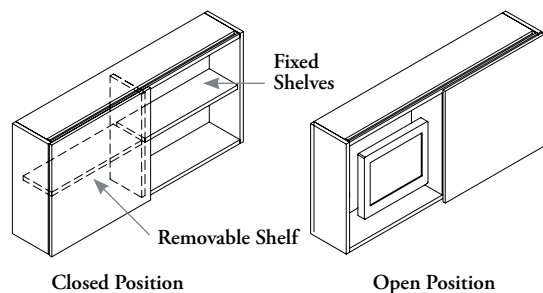
Valance and Light

- The valance mounts below the overhead storage to conceal a below storage light

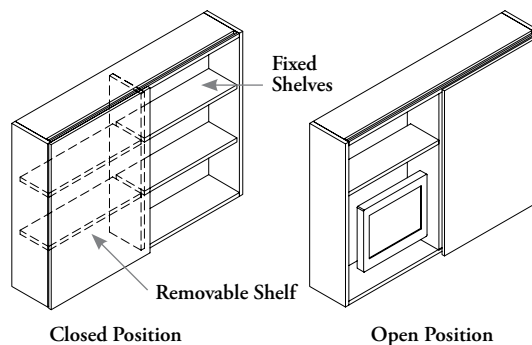
Doors on cabinets do **not** have handles, the door is 1/4" lower than the bottom of the cabinet, creating a door pull.



On two-high single sliding door units, the open side of the unit has a fixed shelf and the closed side with door has one removable shelf to allow for the mounting of a computer screen inside the cabinet.



On three-high single door sliding door units, the open side of the unit has two fixed shelves and one fixed and one removable shelf to allow for the mounting of a computer screen inside the cabinet.



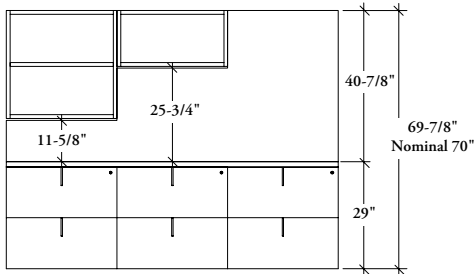
planning with wall mount storage (continued)

Wall Mounted Storage Mounts above low and high credenzas.

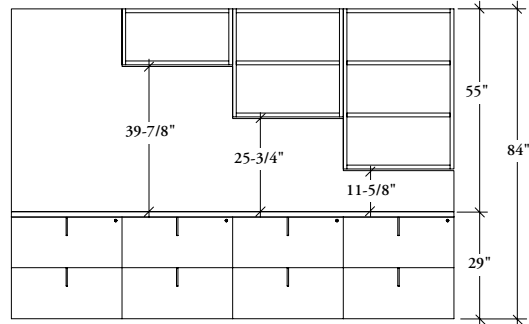
Recommended Heights:

- 70" datum - one and two high cabinets
- 84" datum - one, two and three high cabinets

High credenza at 29" high

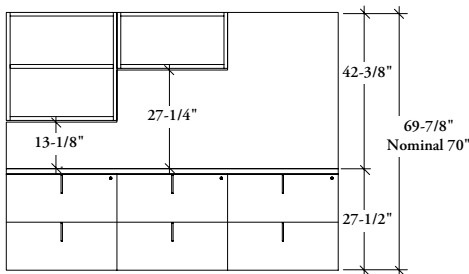


70" High Configuration

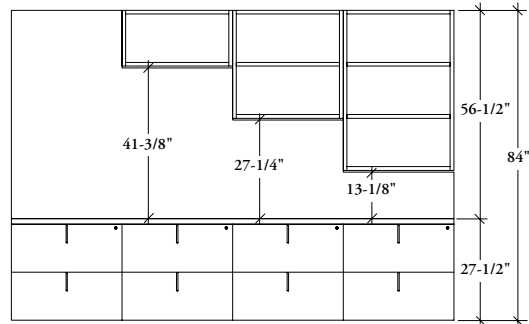


84" High Configuration

High credenza at 27" high

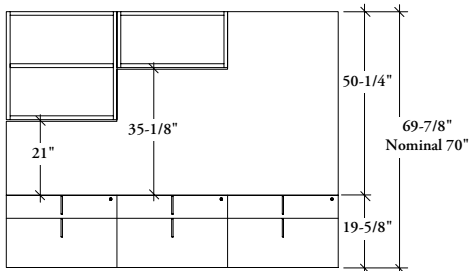


70" High Configuration

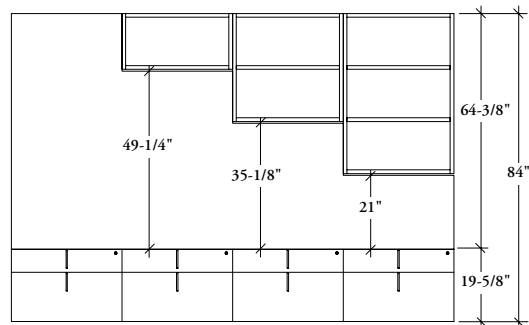


84" High Configuration

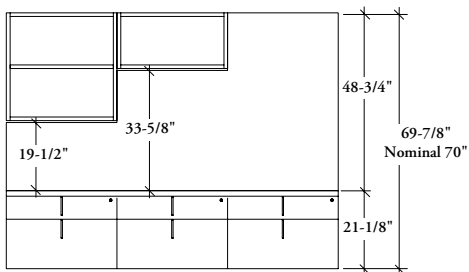
Low credenza



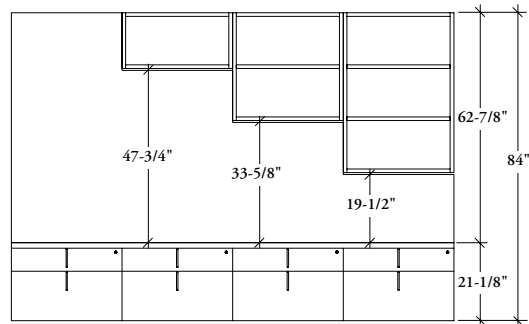
70" High Configuration



84" High Configuration



70" High Configuration



84" High Configuration

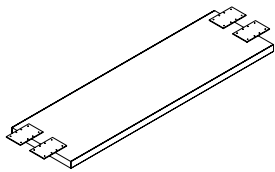
top & end panel basics

Dossier offers top and end panels that complete a wall mounted configuration.



Top Panel for use with Wall Mount Storage and Full Height End Panel (shown)

End panel configurations consist of Top Panels and End Panels.



Top Panel for use with Wall Mount Storage (ZJWT)

- Mounts horizontally to a Full Height End Panel and Wall Mounted Storage
- Depths:
 - 10-1/2", 12", 14", 15-1/2"
- Widths:
 - 15", 18", 30", 36", 42" and 48" (include brackets for attaching to the Full Height End Panel and the adjacent overhead storage)



Full-Height End Panel (ZJWE)

- Mounts vertically to a Top Panel to provide a finished end to a wall mounted configuration
- Depths: 12" and 15-1/2"
- Heights: 70" and 84"