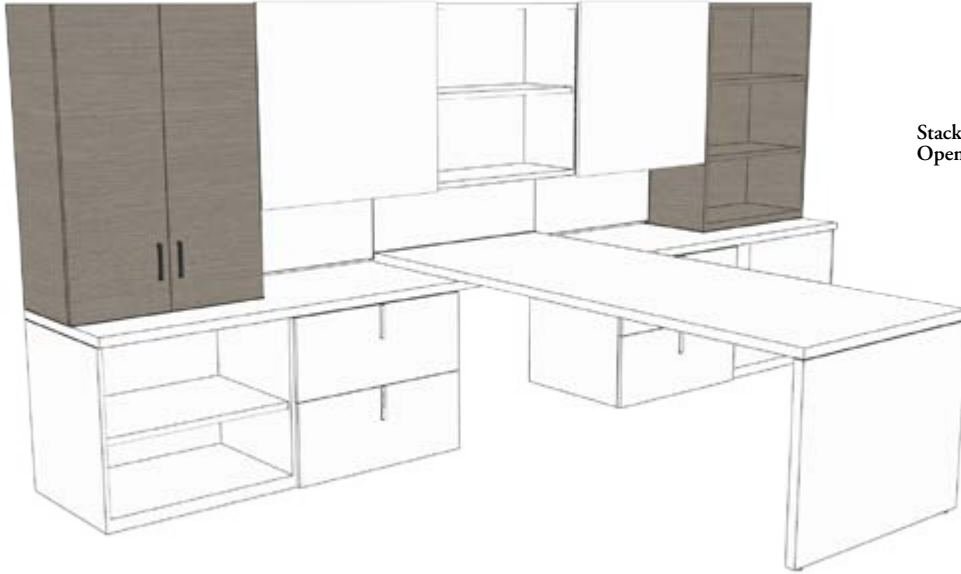


stacking storage basics

Dossier provides a variety of stackable storage components that work together with Wall Mounted and Freestanding Storage.



Stack on Storage – Hinged Door & Open (shown)

Stacking storage sits on a credenza surface to provide above worksurface storage.

Configurations:

- Open with adjustable shelves
- Closed with hinged doors and adjustable shelves

• Heights:

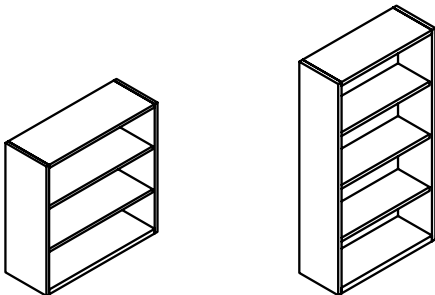
- 70" high datum application
 - 42-3/8" case for use on a 27-1/2" high credenza
 - 40-7/8" case for use on a 29" high credenza

84" high datum application

- 56-1/2" case for use on a 27-1/2" high credenza
- 55" case for use on a 29" high credenza

- Depths: 12" and 15-1/2" to match overhead storage depths
- Widths: 15", 18", 30", 36" and 42"

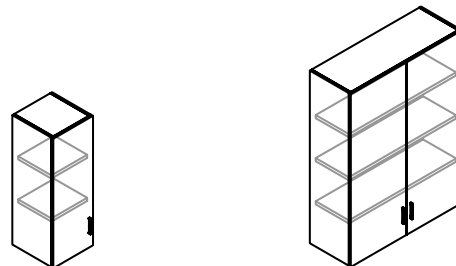
Stack On Storage – Open (ZJSO)



- 70" overall datum height
- Widths: 30", 36" and 42"

- 84" overall datum height
- Widths: 15", 18", 30", 36" and 42"

Stack On Storage – Hinged Doors (ZJSD)



- 70" overall datum height
- Widths: 15" and 18"
- Single Door units are handed

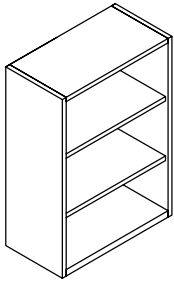
- 84" overall datum height
- Widths: 30", 36" and 42"
- Double Door units are not handed

planning with stacking storage

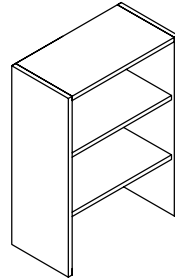
The following should be considered when planning with Stacking Storage.

Stacking Storage units have different bottom shelf profiles, depending on the height of credenza that they are used with. This allows the shelf heights to align with freestanding and wall mounted storage.

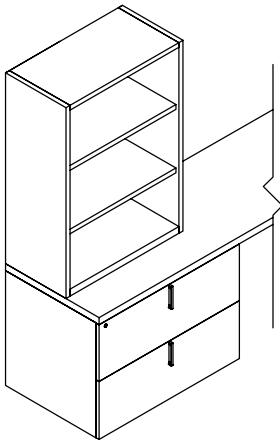
116



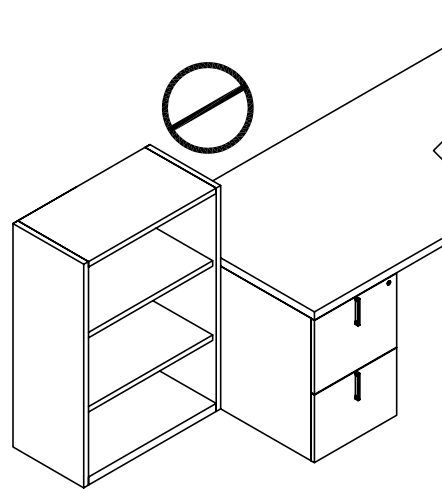
Units that sit on 27-1/2" credenza tops have a 1-1/2" base.



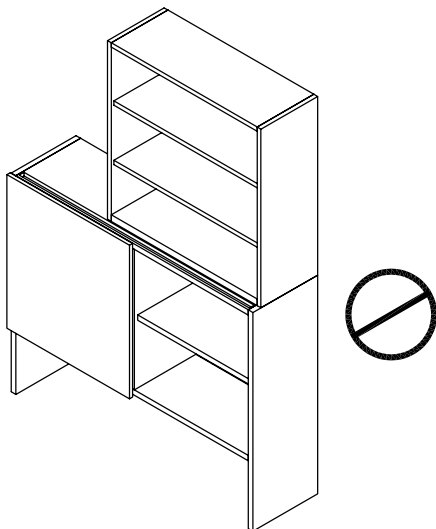
Units that sit on 29" credenza tops have no base.



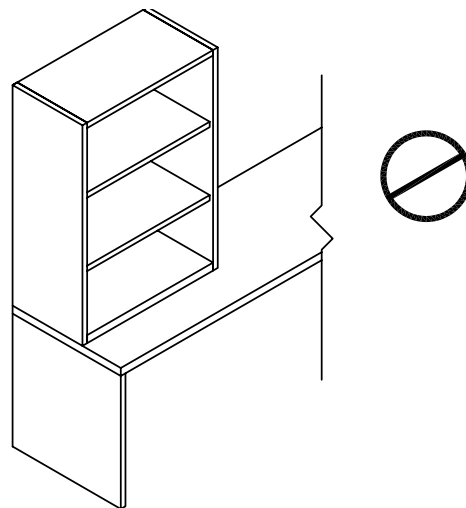
Stackers must be stacked onto a credenza.



Stackers **cannot** start from the floor.



Stackers **cannot** be stacked on Hutches, Pedestals or other stackers.



Stackers **cannot** be stacked over open knee spaces for structural purposes.