

hutch storage basics

Dossier Hutches sit on a credenza and provide an alternative to wall mounted storage.



Hutch Open (shown)

Hutches match the Dossier datum heights of 70" and 84" high.

Configurations:

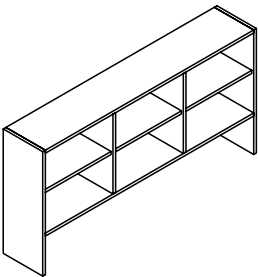
- Open
- Sliding doors
- Closed storage with hinged doors

Heights:

- 70" high datum application
 - 42-3/8" case for use on a 27-1/2" high credenza
 - 40-7/8" case for use on a 29" high credenza
- 84" high datum application
 - 56-1/2" case for use on a 27-1/2" high credenza
 - 55" case for use on a 29" high credenza

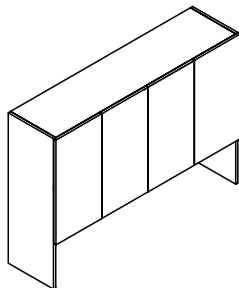
Widths: 30" to 108" in 6" increments

Depths: 15-1/2"



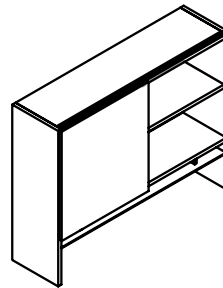
Hutch – Open (ZJHO)

- Widths: 30" to 108"



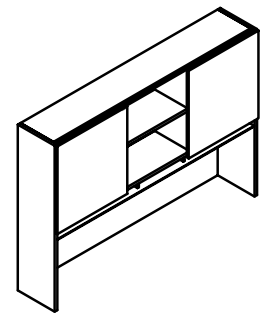
Hutch – Hinged Doors (ZJHH)

- Widths from 30" to 108"
 - 30" to 42" have two doors with one lock
 - 48" to 54" have three doors with two locks
 - 60" to 78" have four doors with two locks
 - 84" to 108" have six doors with three locks



Hutch Storage – Single Sliding Door (ZJHS)

- Three-high is available for the 84" height only, in widths of 60", 72", and 84" wide
- There are no lock options



Hutch – Double Sliding Doors (ZJHD)

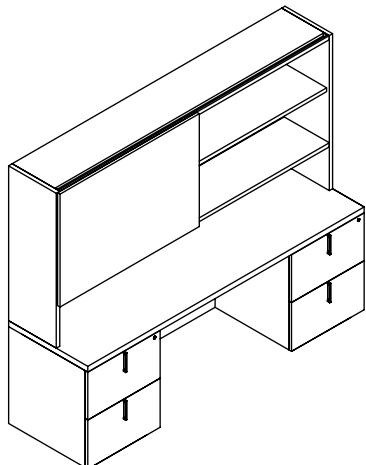
- There are no lock options

planning with hutch storage

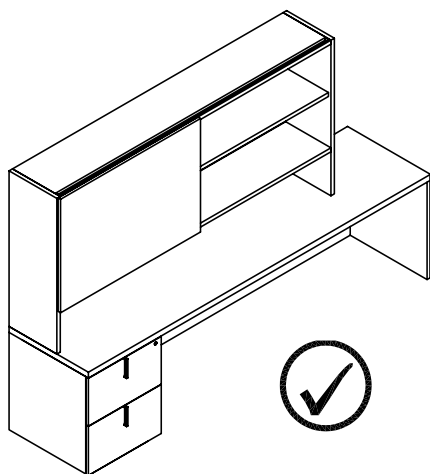
The following should be considered when planning with Hutch Storage.

Hutches feature integrated end panels that allow them to sit on a Credenza, Standard Desk or L Return, when planned against a wall.

Hutches do **not** have finished backs.

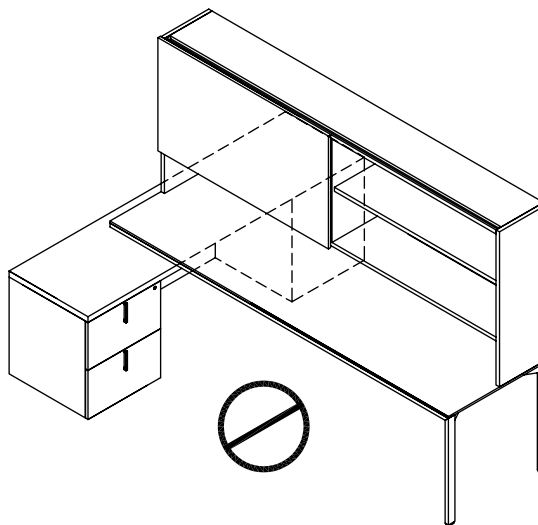


Hutches should run the full length of the credenza unit that they are sitting on to provide proper load distribution.

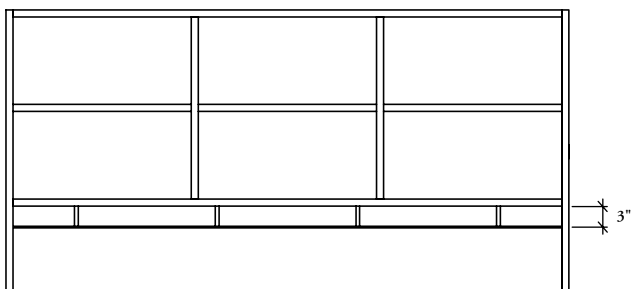


When a full width hutch application is not possible, the end gable of the hutch should sit over a credenza unit to properly carry the hutch load.

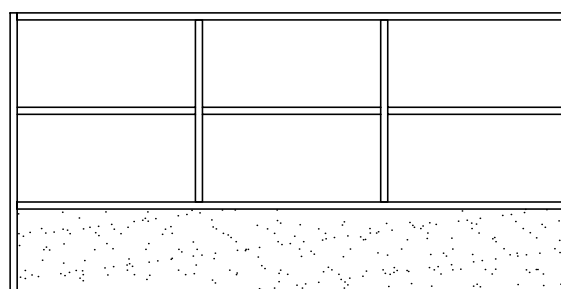
It **cannot** be over an open knee space.



Hutches **cannot** be used on table desks, bridges or run-offs.



Hutches can be specified with an optional cubby shelf, similar to the cubby shelf on wall mounted storage.



Hutches can be specified with an optional tackboard.