

height-adjustable desk basics

Dossier Height-Adjustable Desks are full wood construction to provide a traditional aesthetic with height-adjustability.



Height-Adjustable Standard Desk with 4" recessed Modesty (shown)

Height-Adjustable Desks are available in three styles:

- Standard with two gables
- Single Pedestal with a gable and one pedestal
- Double Pedestal with two pedestals

All desks are wood construction

Depths: 32" and 36"

Widths in 6" increments that vary depending on the style:

- Standard: 60" to 96"
- Single Pedestal: 66" to 96"
- Double Pedestal: 72" to 96"

Height Adjustment Range: 29" to 50"

Modesty Panel:

- Full recessed modesty only
- 4" recess available on 32" and 36" depth
- 8" recess available on 36" depth only

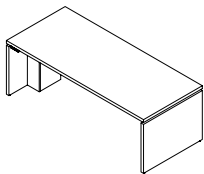
Grommet Options:

- Modesty Panel
 - Standard wire notch with grommet at the top of the modesty panel
- Desk Top
 - Rectangular or round
 - Left, right or centered, inboard the pedestal or gable

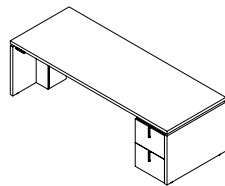
Electrical Controls and Vertical Wire Carrier s:

- Can be mounted left or right on site
- One Vertical Wire Carrier and grommet plug, and a power bar with four outlets included
- A second Vertical Wire Carrier can be ordered separately

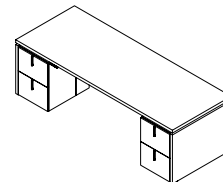
Leveling range: 1"



Height-Adjustable Standard Desk (ZJSH)



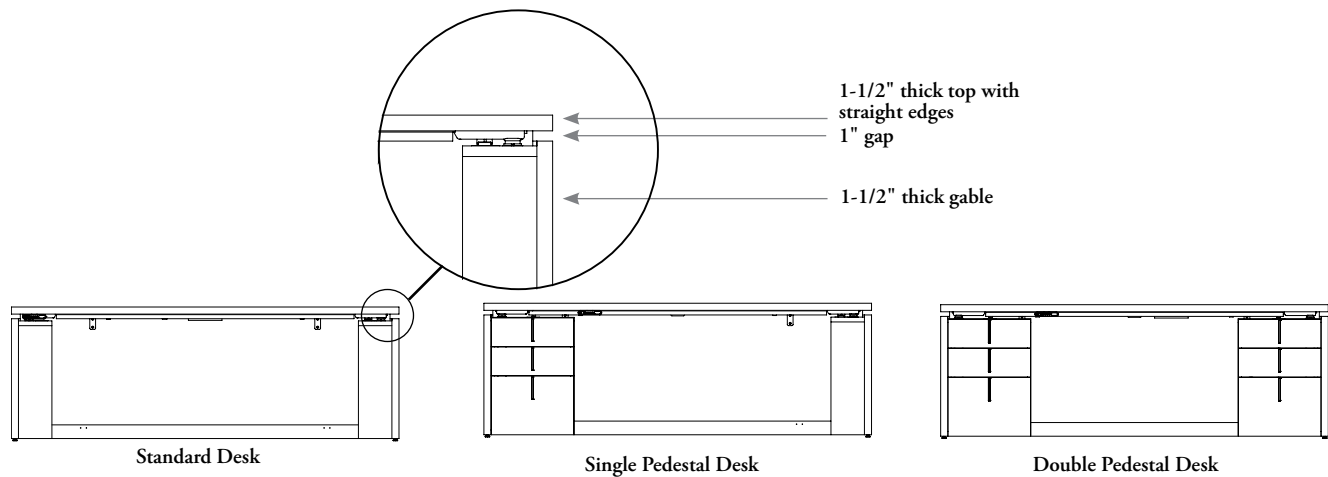
Height-Adjustable Single Pedestal Desk (ZJPH)



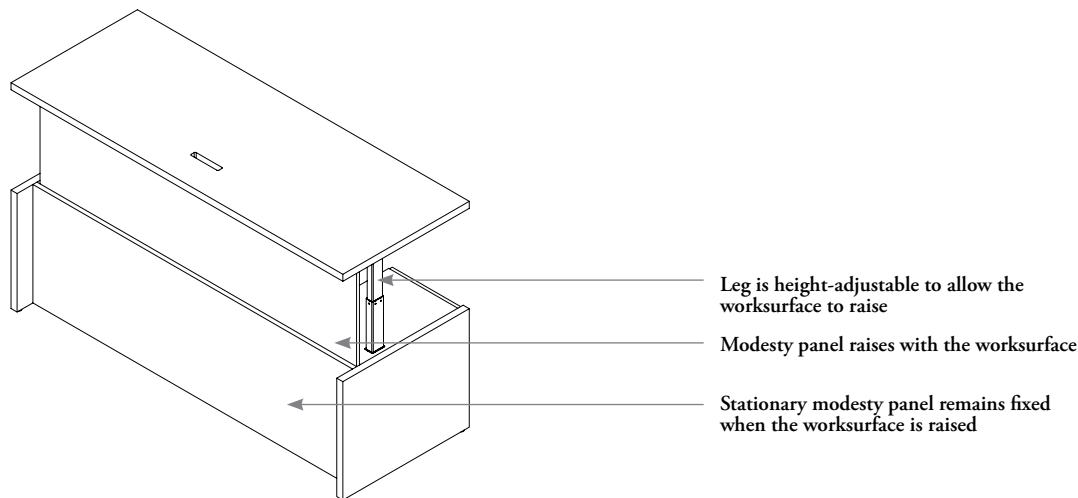
Height-Adjustable Double Pedestal Desk (ZJDH)

planning with height-adjustable desks

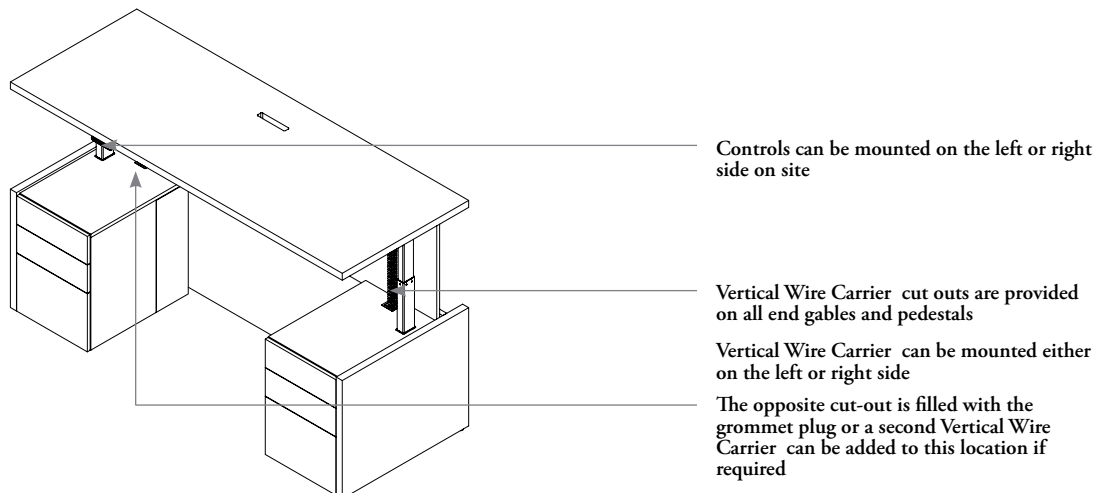
The following should be considered when planning with Dossier Height-Adjustable Desks.



height-adjustment mechanism

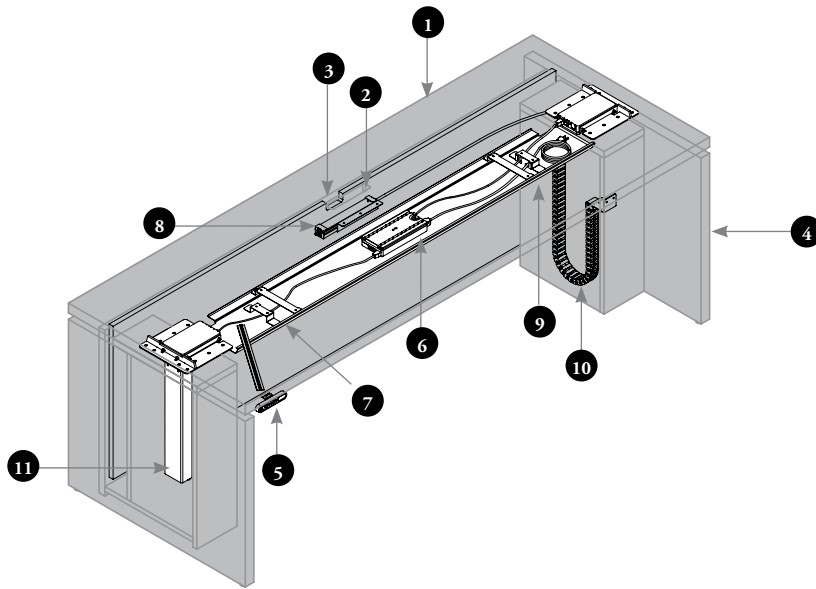


controls and vertical wire carrier

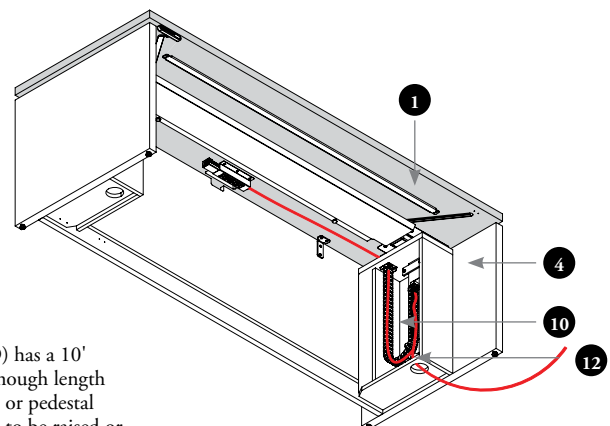


planning with height-adjustable desk wire management

The following outlines the wire management components of the Dossier Height-Adjustable Desk.



- 1 Worksurface
- 2 Worksurface grommet – wires can pass from the worksurface top to the underside of the surface
- 3 Modesty panel notch – wires can pass from the worksurface top through the notch to the underside of the surface
- 4 End gable (shown without pedestal option)
- 5 Control switch – used to raise or lower the height-adjustable desk
- 6 Control box – powers the control switch
- 7 Wire looms –used to wrap excess cable below the worksurface
- 8 Power Bar with Mounting Brackets (YEPD) – mounts below the worksurface and provides four plug in points
- 9 Metal cover – mounts to the bottom of the worksurface to provide a cover for wiring below the worksurface
- 10 Vertical Wire Carrier location – routes cables from below the worksurface to the floor, either through the back of the pedestal or the end gable (end gable shown)
- 11 Height-adjustable leg
- 12 Wire exit in pedestal or end gable – cut-out to allow cables to exit the pedestal or end gable and plug into the floor

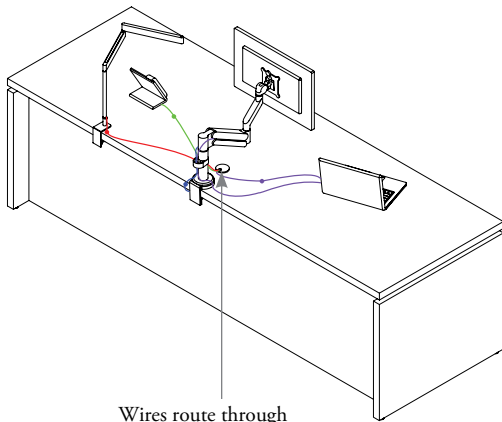


The Power Bar (YEPD) has a 10' cord which provides enough length inside of the end gable or pedestal back to allow the table to be raised or lowered.

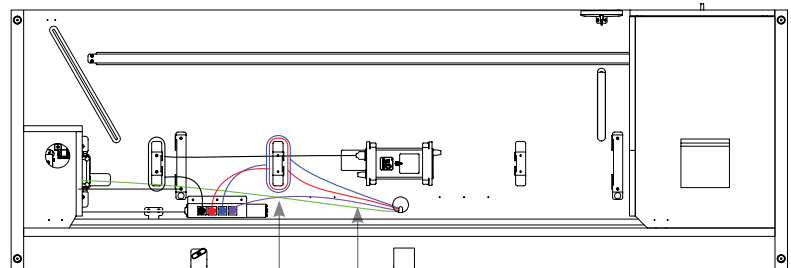
planning with height-adjustable desk wire management (continued)

The following outlines the cable routing capabilities of the height-adjustable desk.

grommets



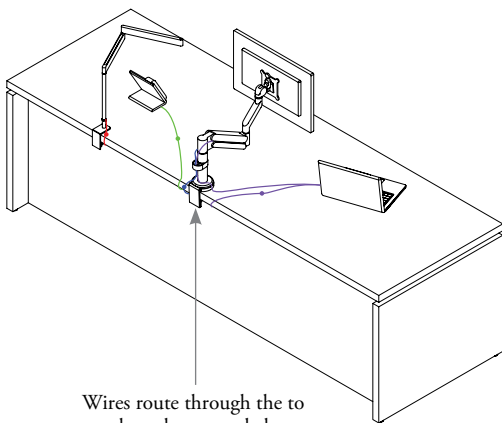
Wires route through the desktop grommet to below the worksurface



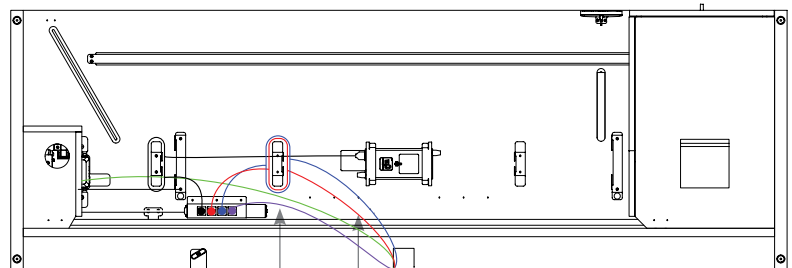
Looms manage loose cables

Cables route from the worksurface grommet to either a:
• Power bar
• Power source in the floor or wall

modesty notch



Wires route through the to notch to the power below the worksurface



Looms manage loose cables

Cables route from the modesty notch to either a:
• Power bar
• Power source in the floor or wall