

freestanding storage basics

Dossier provides a variety of freestanding storage components to complete a Dossier suite, including bookcases, wardrobes and pedestals.

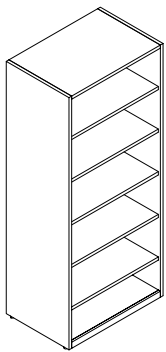


Full Height Bookcase, Full Height Wardrobe and Mobile Pedestal (shown)

Heights: 70" and 84" to align with mounted storage heights

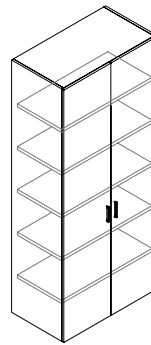
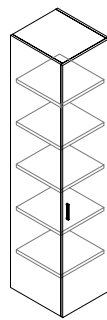
Depths:

- 12" and 15-1/2" to align with wall mounted storage depths (the 12" deep is not ideal for binders, the interior clearance is 11-1/2")
- 20" and 24" d to align with credenzas



Full-Height Bookcase (ZJCB)

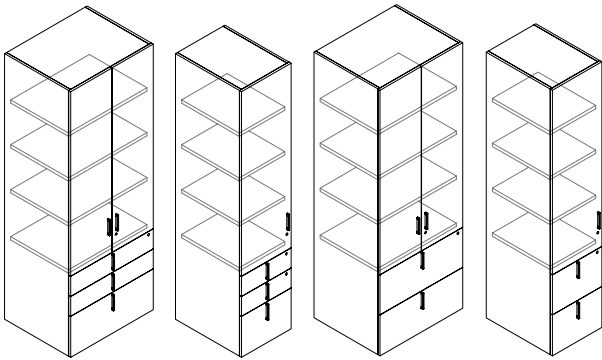
- Bookcases are open with shelves
- Backs are unfinished
- Widths: 15", 18", 30", 36" and 42"



Full-Height Cabinet (ZJCD)

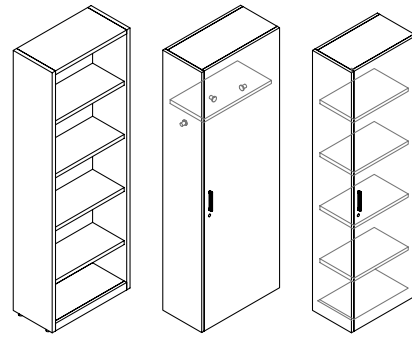
- Full Height Cabinets are closed with Shelves
- Backs are unfinished
- Widths:
 - Single door units: 15" and 18" and are handed
 - Double door units: 30", 36" and 42" and are not handed

freestanding storage basics (continued)



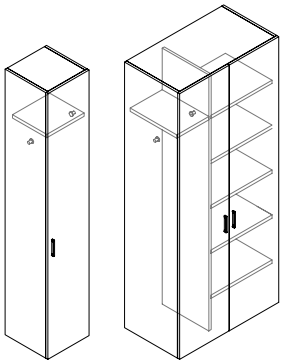
Full-Height Combination Cabinet (ZJCC)

- Combination Cabinets contain box and file storage as well as closed storage with shelves
- Backs are unfinished
- Widths:
 - Single door: 18" and are handed
 - Double door: 30" and 36" and are not handed
- Depths: 20" and 24" only
- Filing Configurations:
 - box/box/file
 - file/file
- Two datum heights are available on the box/file section to align with credenza datum heights: 27-1/2" and 29"w



Full-Height Side Open Cabinet (ZJCS)

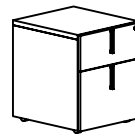
- Side Open Cabinets are used at the end of a configuration and face to the side
- Backs are finished
- Configurations:
 - open with shelves to be used as a bookcase
 - with a door and one shelf to be used as a wardrobe
 - with a door and shelves
- Widths: 20" and 24"
- Depth: 12"



Full-Height Wardrobe (ZJCW)

- Wardrobes are forward facing and provide coat storage
- The backs are unfinished
- Configurations:
 - single door wardrobe
 - double door wardrobe
 - combination unit with wardrobe and shelves
 - with a door to be used and one shelf to be used as a wardrobe
 - with a door and shelves
- Width: 15", 18", 30", 36", 42"
- Depths: 15", 20", and 24"

mobile pedestal



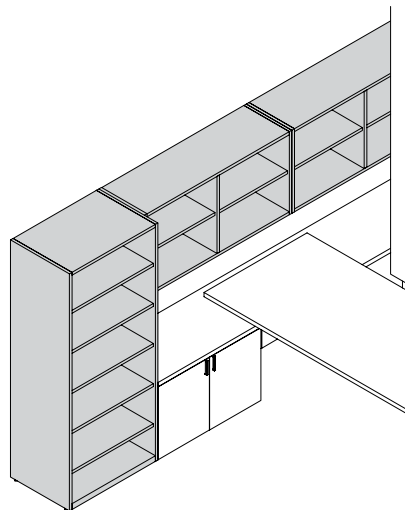
Mobile Pedestal (ZJAM)

- Provides a mobile alternative to a credenza
- **Cannot** be used to support a credenza top
- Width: 18"
- Depths: 20"

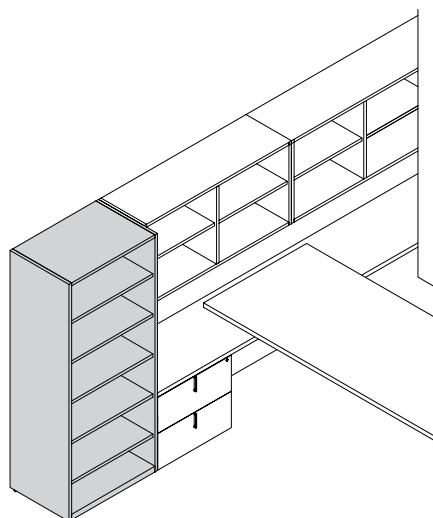
planning with freestanding storage

The following should be considered when planning with Freestanding Storage.

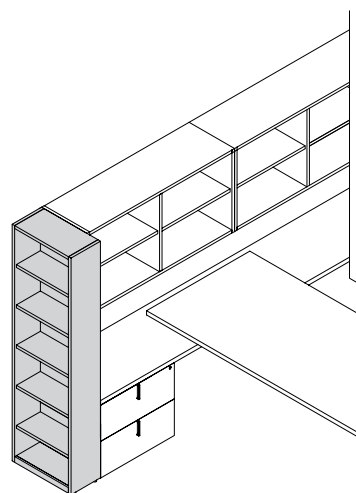
Freestanding storage heights match the heights of wall panels, overheads and stacking.



Freestanding storage is available for front and side opening configurations and must be used in their proper orientation.



Front facing units do **not** have finished backs, so must be used with the back against the wall.



Side facing units **do have** finished back and are intended to face sideways where the back will be visible.