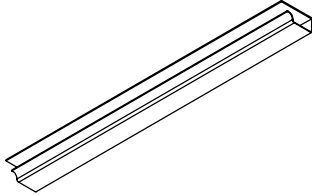


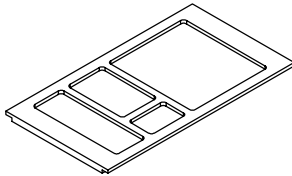
electrics & accessories basics

The following Teknion electrical components are available for use with Dossier.



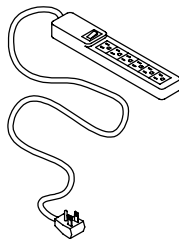
Wire Management Tray (ZJAA)

- Secures to the underside of a desk or return surface with double sided tape to provide wire management
- 2-1/2" high x 1" wide opening and is 24" wide overall



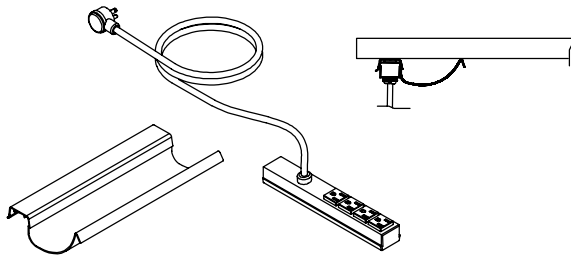
Pencil Tray (ZJAH)

- Provides compartmentalized pencil and stationary storage in pedestals or lateral files
- Applications:
 - side to side for pedestals
 - front to back for lateral filing units



Power Outlet Box (TJP)

- Complements: Teknion's Ergonomics & Accessories Program also offers electrical components that are compatible with Dossier
- A conventional bar designed with a 12" long cord to bring casual wiring access to worksurfaces
- Typically used behind electrical access panels
- Features an On/Off Reset switch, surge protection with visible "On" function light and six outlet plug-ins



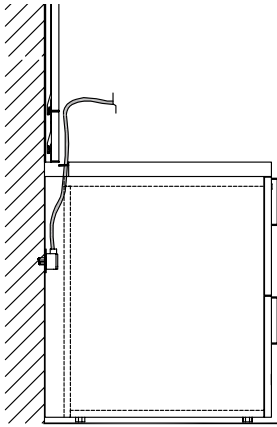
Under Worksurface Power Bar (RLPP) & Cable Tray (RLWT)

- *Expansion Desking* Price and Product Guide also offers electrical components that are compatible with Dossier
- It is mounted below any worksurface to manage cables coming from the worksurface level

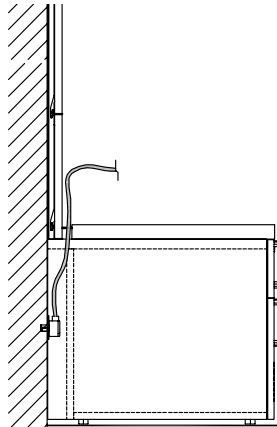
The following should be considered when planning with Dossier Electrics.

reduced depth credenza tops and wall panels

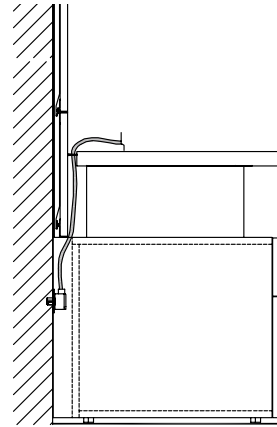
The reduced depth credenza top with brush seal allows cables from the worksurface to pass through to the credenza.



27-1/2" credenza with credenza top
 • Wall panel will align with the top of the credenza top



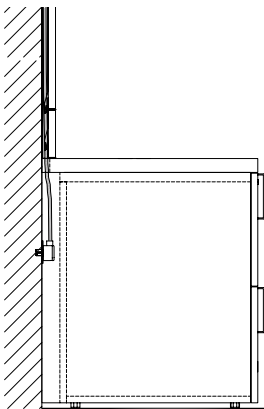
19-5/8" high credenza with credenza top
 • Wall panel will extend to the top of the credenza



19-5/8" credenzas with spaces and credenza top to 29" high
 • Wall panel will extend to the top of the credenza

standard depth credenza top and wall panels

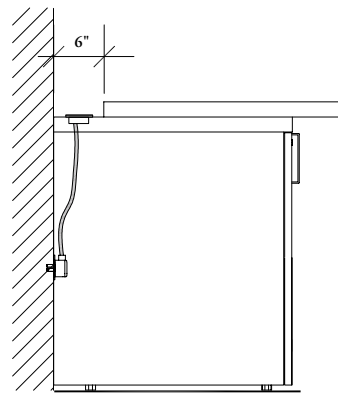
Standard depth credenza tops allow cables from overhead lights to pass behind the wall panel and into the credenza.



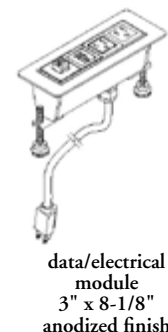
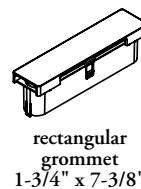
27-1/2" credenza with credenza top
 • Wall panel will sit above the credenza top
 • A notch is required in the credenza to allow the cables to pass through the credenza

run-offs and no wall panels

Cables route through grommets in the credenza. The Run-Off must be offset from the wall 6".



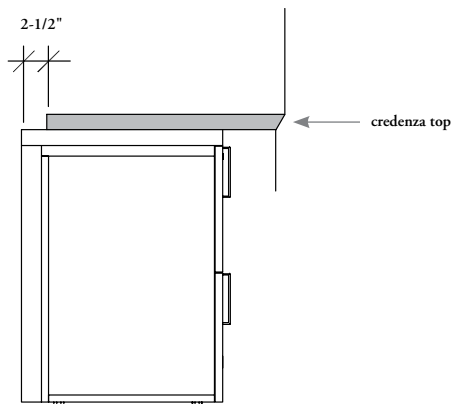
Three grommet types are available:



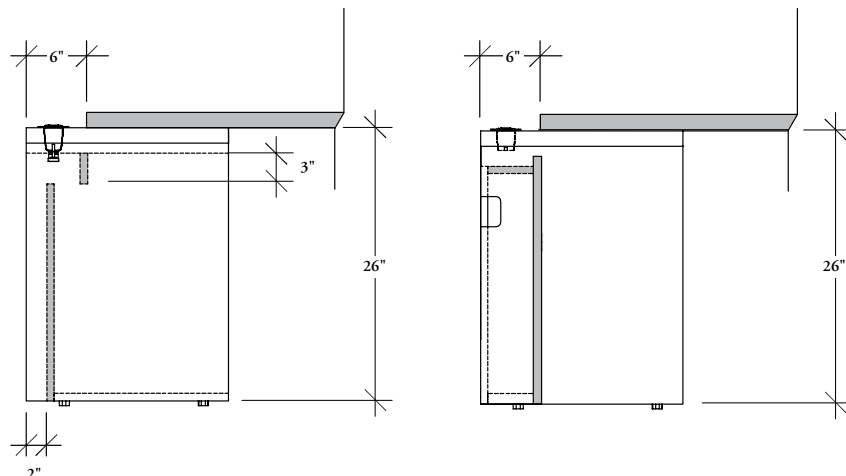
planning with electricians (continued)

run-off worksurfaces

When power access is not required in credenzas, run-off worksurfaces are offset 2-1/2".



When power access is required with credenzas, the run-off worksurfaces is offset 6" to allow for grommets.

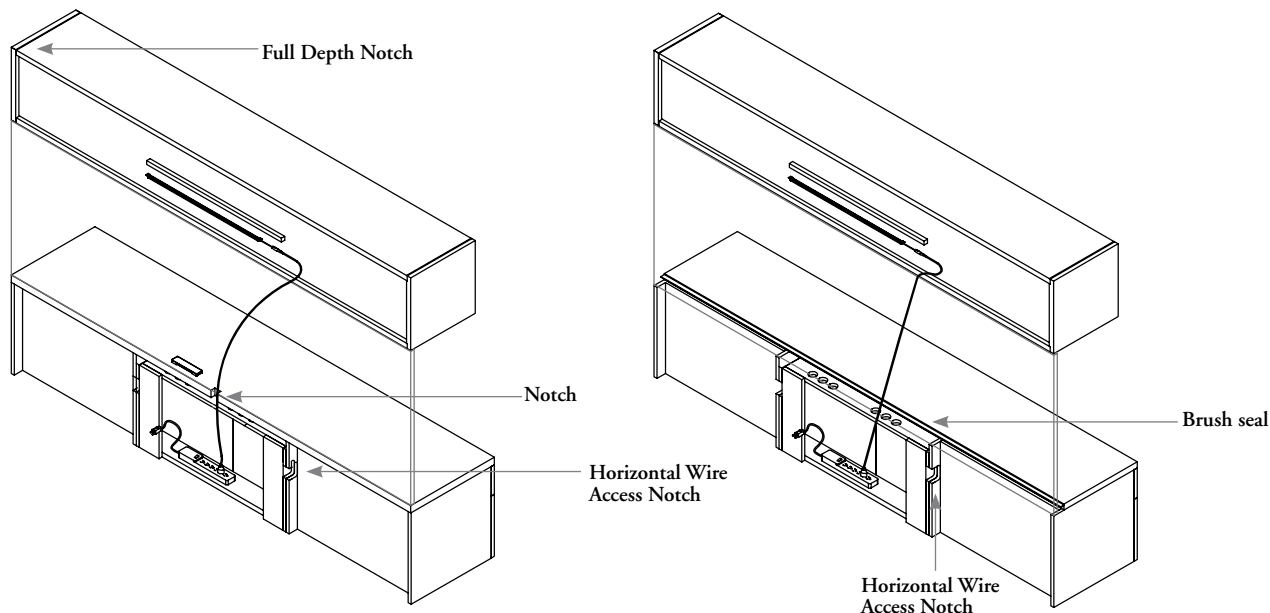


128

- Filing cabinets, cabinets with doors, and open cabinets are standard with an unfinished back panel, inset 2" for wire management
- This configuration includes a 3" high valance, recessed 6"

- An optional 6" access panel with doors is also available

Credenza tops are available in two depths to allow for cable access.

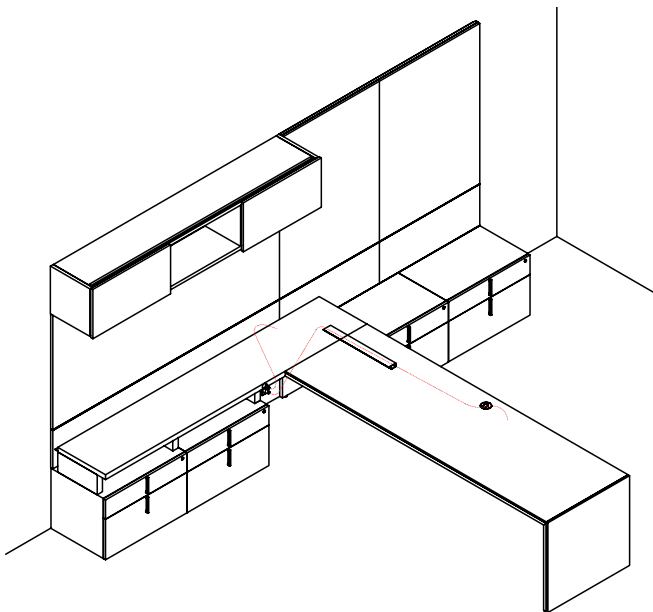


- Credenza top is available with one, two or three notches to align with storage units below
- All cabinets and access panels with doors are also available with an option for notches, which allows cables to route between units
- Notches are available left, right, or both

- Cabinets and access panels with doors are available with notches to allow cables to route between units
- Wires pass behind the brush seal and into access panel or storage unit

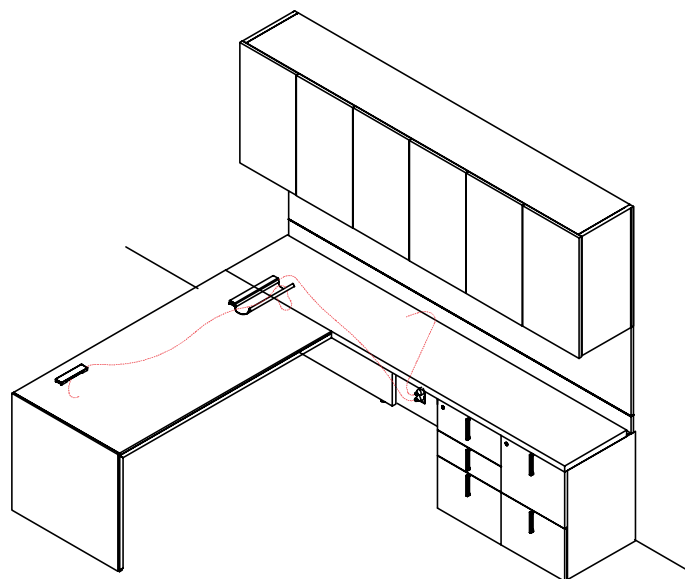
planning with electricians (continued)

The following typicals demonstrate various ways of routing power and data through Dossier workstations.



29" high run-off and credenza top and low credenzas with open access to wall outlet

- A reduced depth credenza top allows cables to run from either behind the wall panel to the wall outlet or from the credenza surface to the wall outlet
- Additional grommets can be added where required
- J Shape wire manager added to run-off

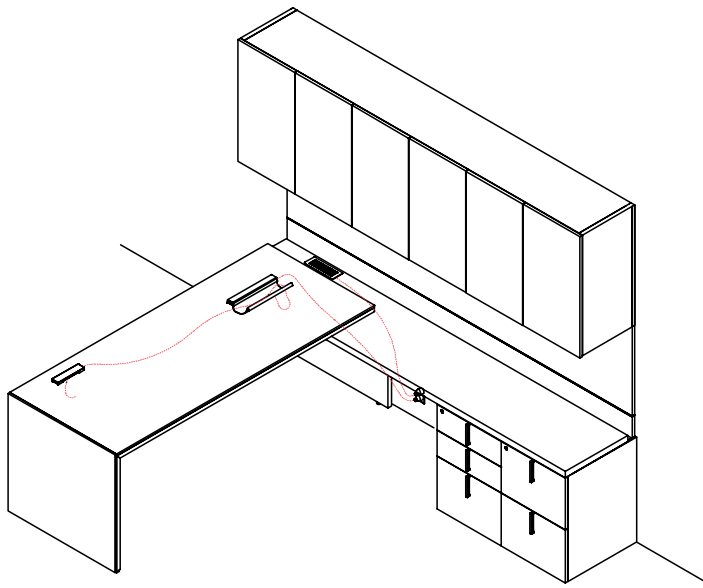


29" high run-off and credenza top, with open access to wall outlet

- Cables route through a grommet on the desktop and along the bottom of the run-off with a cable tray and power outlet box
- A reduced depth credenza top allows cables to run from behind the wall panel to the wall outlet

planning with electricians (continued)

I30



29" high run-off with 27-1/2" high credenza top, with open access to wall outlet

- Cables route through a grommet on the desktop and along the bottom of the run-off with a cable tray
- A data/electrical module routes power from the credenza top

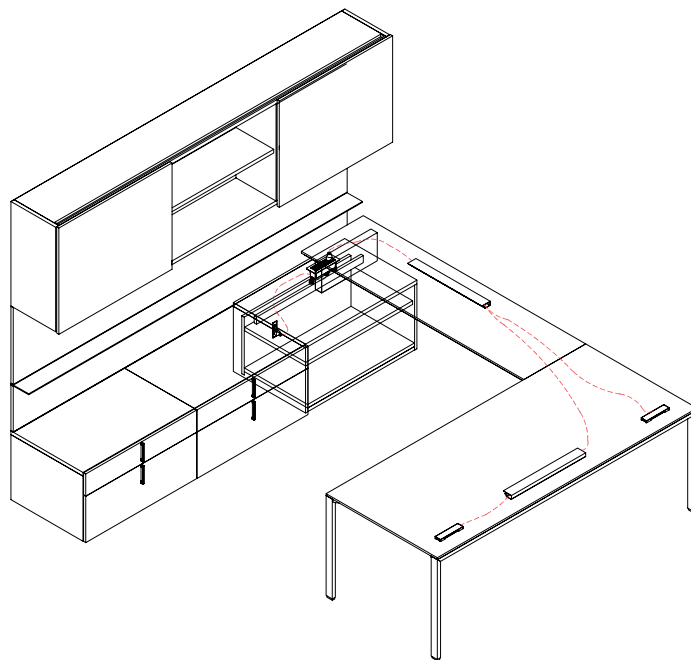
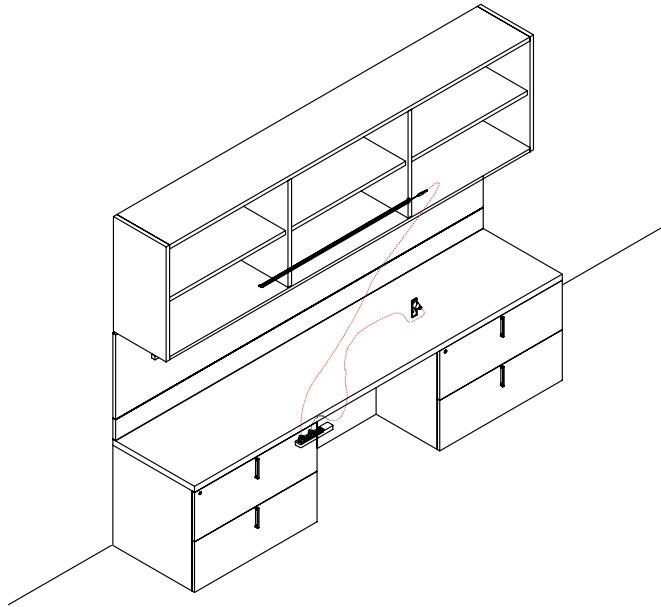


table desk with bridge return 29" high and low credenza with finished top; wall outlets accessed through credenza

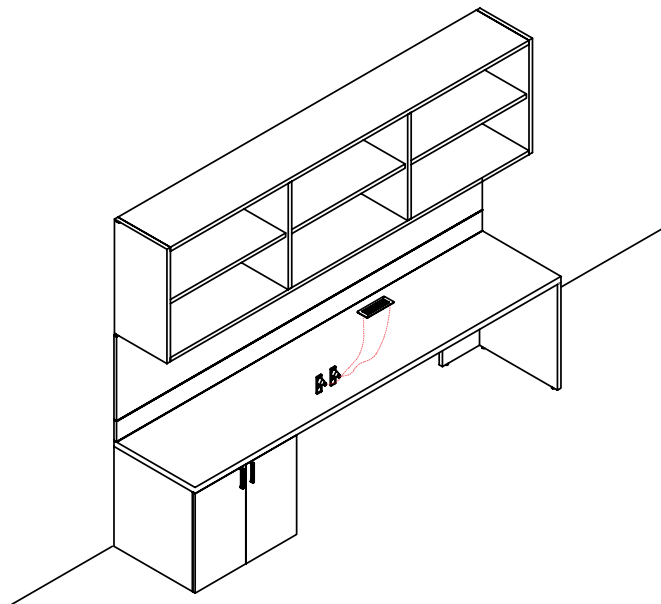
- Cables managed on desk and bridge return with grommets and cable trays
- A data/electrical module mounted into the low credenza routes power through the back of the cabinet to the wall outlet

planning with electricians (continued)



29" high credenza top with electrical access panel, and wall panel with lighting

- Overhead lighting wiring runs behind the wall panel and through the notch in the credenza top (reduced depth credenza top could also be specified in this application)
- Wall outlets are typically installed in the knee space but can also be located behind storage and routed through notches to a bar in the access panel
- Grommets mounted over the location of the access door provides access to the power bar
- Valence and Light **not** available with cubby option



full depth top with grommet or data/electrical module

- Wall outlets can be access through grommet or module shown