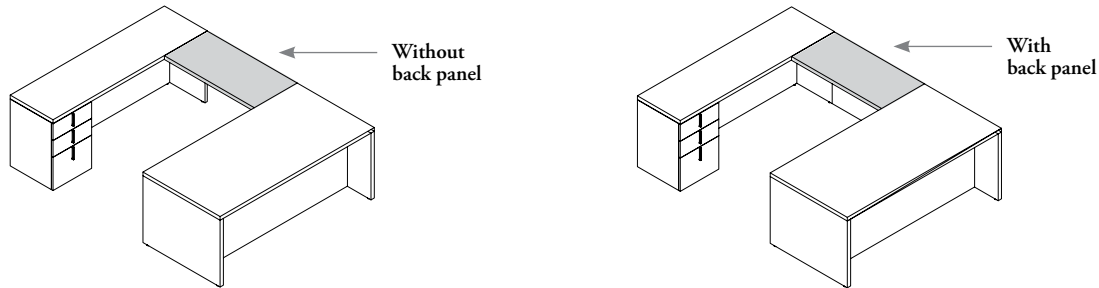


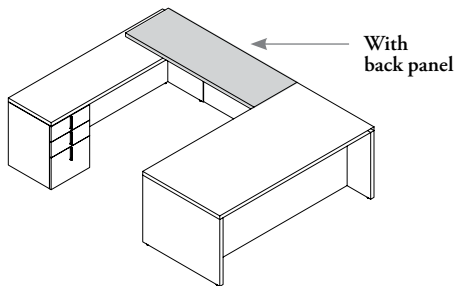
understanding bridge returns

Bridge returns connect Desks and Credenzas. They are available in Flush and Overlap Credenza and Overlap Credenza End configurations, and with or without full or partial modesty panels.

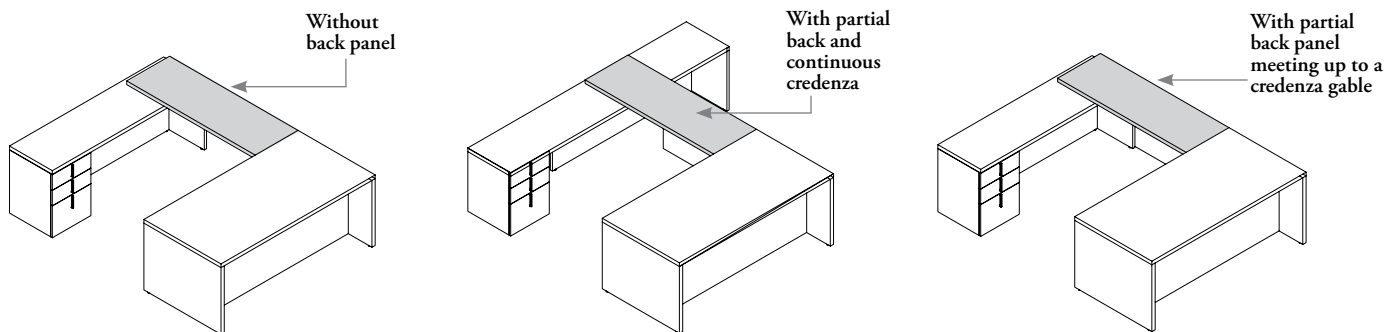
Flush Mounting, where the bridge mounts between a desk and a credenza.



Overlap Credenza End, where the bridge mounts to a desk and overlaps a credenza.



Overlap Credenza Mounting, where the bridge mounts to a desk and overlaps a credenza.

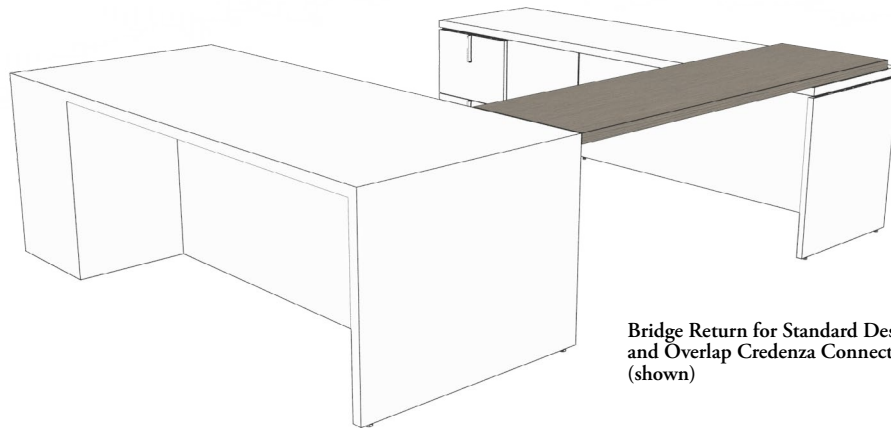


The back panel ends at the credenza so that the bridge return can overlap a continuous credenza.

The back panel ends at the credenza so that the bridge return and credenza gables are flush.

bridge returns basics

Dossier Bridge Returns connect desks and credenza configurations. They can be used with Desks and Table Desks.



Bridge Return for Standard Desk and Overlap Credenza Connection (shown)

Bridge Returns are available in two styles:

- Wood option for use with Desks
- Wood with metal trim option for use with Table Desks

Two connection options are available:

- Flush for connecting the desk to the credenza
- Overlap for connecting to the desk and overlapping a high or low credenza

Available with and without Full Back Panels (depending on application).

Mounts onto 20" and 24" deep credenza tops

Depths: 20" and 24"

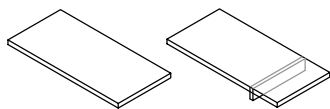
Widths

- 42" to 54" widths in 6" increments for flush applications
- 60" to 78" widths in 6" increments for overlap mounting

Heights: 29"

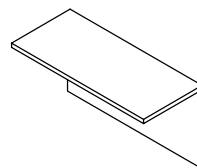
Grommet Options: Centered only

Leveling range: 1"



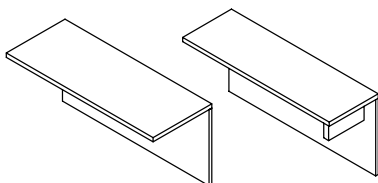
Bridge Return for Standard Desk with Flush and Overlap Credenza Connection (ZJBN)

- Used in two applications:
 - Connecting a Desk to a credenza configuration in a flush application
 - Connecting a Desk to a credenza configuration where the return overlaps
- Available with a spacer for use with low credenzas



Bridge Return for Standard Desk with Full Back Panel and Flush Credenza Connection (ZJBF)

- Used in two applications:
 - Connects a Desk to a credenza configuration in a flush application where a back panel is required
- Available with a spacer when a low credenza is specified



Bridge Return for Standard Desk with Full Back Panel and Overlap Low Credenza Connection (ZJBJ)

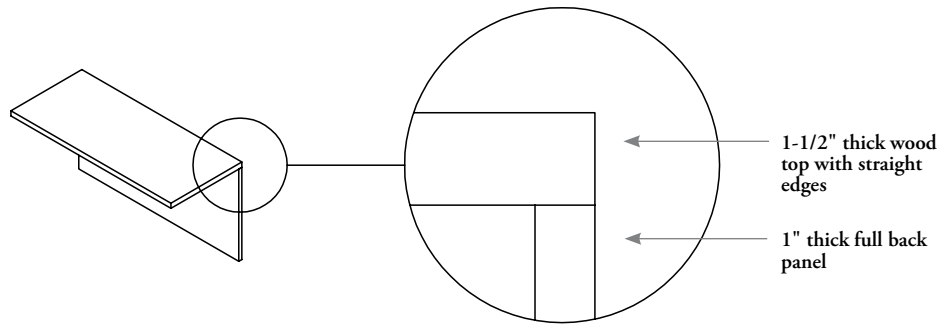
- Connects a Desk to a Low Credenza configuration in an overlapping application where the back panel is shorter so that it meets up with the gable of the credenza
- Available with a spacer for use with low credenzas

planning with bridge returns

The following should be considered when planning with Dossier Bridge Returns.

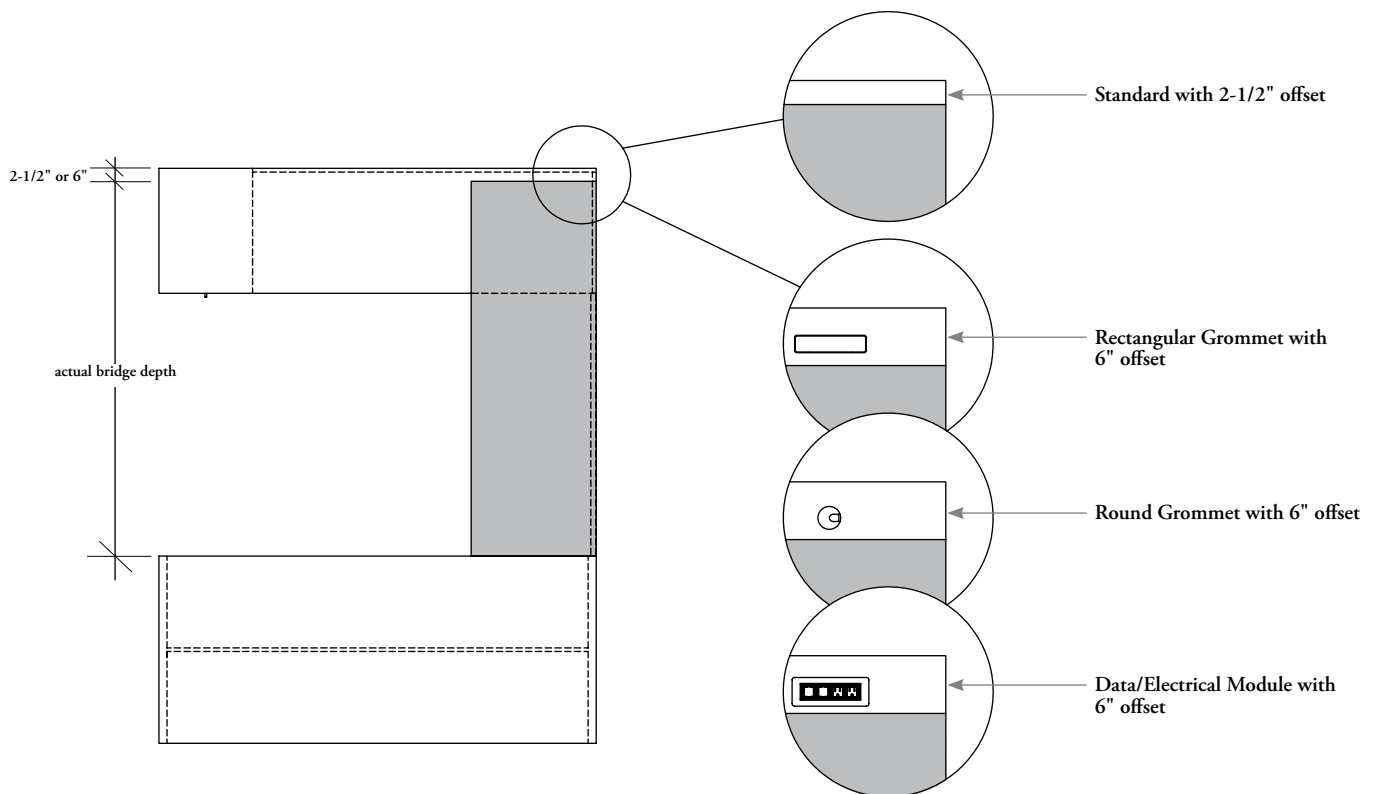
flush bridge returns

Bridge Return for Standard Desk with Full Panel.



overlap bridge returns

Overlapping bridge returns are offset from the back of the credenza to allow for grommet and data/electrical modules.

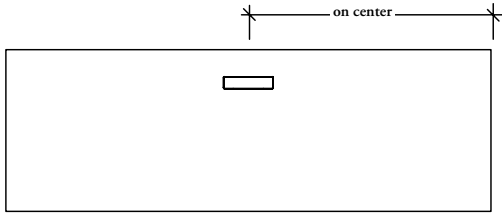


planning with bridge return grommets

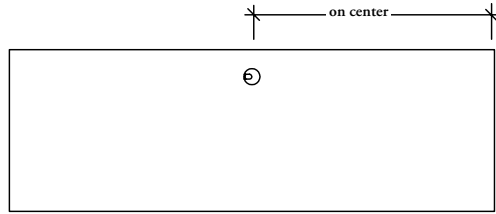
Grommets are available on bridge returns. The following outline the location options.

bridge return, metal

Grommets are available centered only.



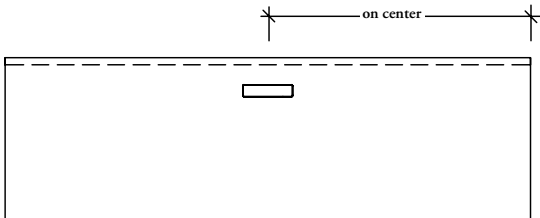
rectangular grommet



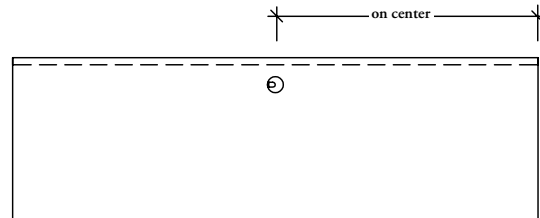
round grommet

bridge return, wood

Grommets are available centered only.



rectangular grommet



round grommet