

Xpress

U Y Z Z

## Zig Zag Power Spine Inset Panel

The Zig Zag Inset Panel Wall is designed to be used in conjunction with the Inset Glass or Smooth add-on is elevated when finished with required Support Kit.

### WHAT'S INCLUDED

3 frames (144 (A), 180", 216", 252" widths), 4 frames (192", 240", 288", 336" widths), 5 frames (240 (A)", 300", 360", 420" widths), hardware for straight connections and levelers.

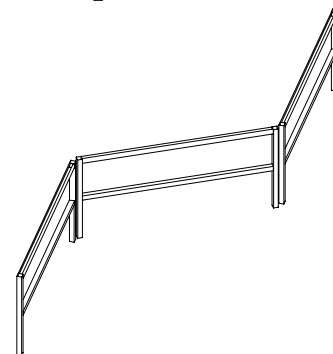
### WHAT'S EXCLUDED

Support Kit, Fascia, End Trim and Top Trim to panel must be specified separately.

### NOTES

Panel wall frame has a Black finish.

**Xpress** Available through *Teknion's Xpress Program*.



### PRODUCT OPTIONS

Height	Width	Support	Panel Type
29, 42	14 A, 180, 192, 216, 240, 24A, 252, 288, 300, 336, 360, 420	Z Zig Zag	Frame for Metal/Fabric S Frame for Solid Fascia

### SAMPLE ORDER CODE

UYZZ 29	120	Z	
---------	-----	---	--

### DIMENSIONS INCHES / MM

H	W
29 / 737	14 (A) / 356
29 / 737	180 / 4572
29 / 737	192 / 4877
29 / 737	216 / 5486
29 / 737	240 / 6096
29 / 737	24 (A) / 610
29 / 737	252 / 6400
29 / 737	288 / 7315
29 / 737	300 / 7620
29 / 737	336 / 8534
29 / 737	360 / 9144
29 / 737	420 / 10668
42 / 1067	14 (A) / 356
42 / 1067	180 / 4572
42 / 1067	192 / 4877
42 / 1067	216 / 5486
42 / 1067	240 / 6096
42 / 1067	24 (A) / 610
42 / 1067	252 / 6400
42 / 1067	288 / 7315
42 / 1067	300 / 7620
42 / 1067	336 / 8534
42 / 1067	360 / 9144
42 / 1067	420 / 10668

### PRICING

687
986
1009
1093
1315
1262
1386
1457
1644
1848
1822
2308
757
1086
1110
1203
1448
1387
1524
1603
1810
2033
2004
2542